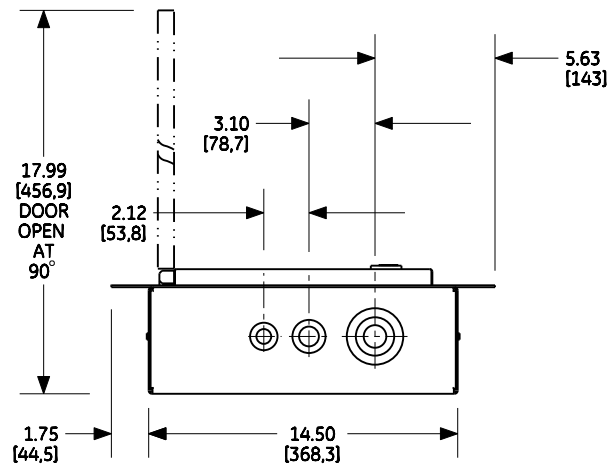
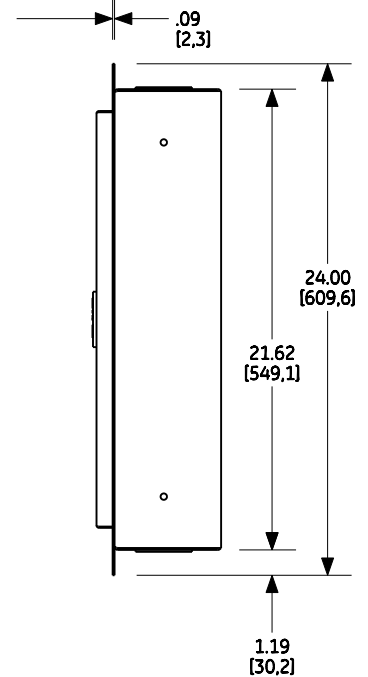
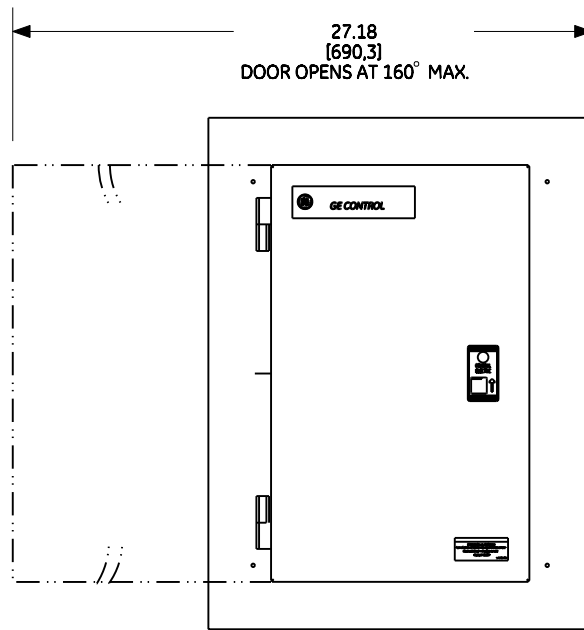
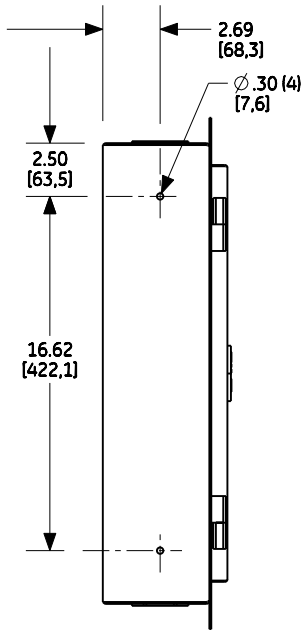
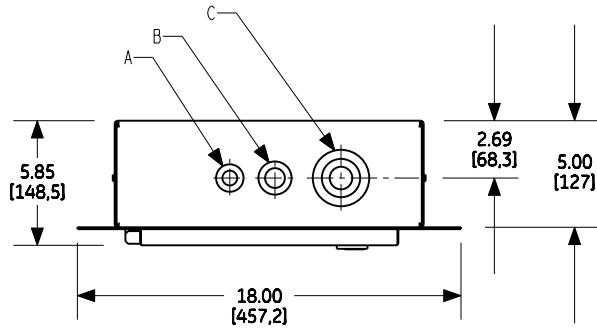


DUAL DIMENSIONS INCHES (ESTIMATING ONLY)
[MILLIMETERS]

K.O. 's SAME TOP & BOTTOM



- A COMBINATION KNOCKOUT FOR 1/2 OR 3/4-INCH CONDUIT
- B COMBINATION KNOCKOUT FOR 3/4 OR 1 - INCH CONDUIT
- C COMBINATION KNOCKOUT FOR 1/2, 1 1/2 OR 2 - INCH CONDUIT

WEIGHT : 62 lbs
30, 60, 75 & 100 AMP RATINGS



OUTLINE - CR160MC LIGHTING
CONTACTOR TYPE 1 FLUSH MOUNT ENCLOSED

AN #	THIRD ANGLE PROJECTION	SHEET #
10-9104		1 OF 1

DWG NO.	DATE	REV
55-217836	06/21/10	1