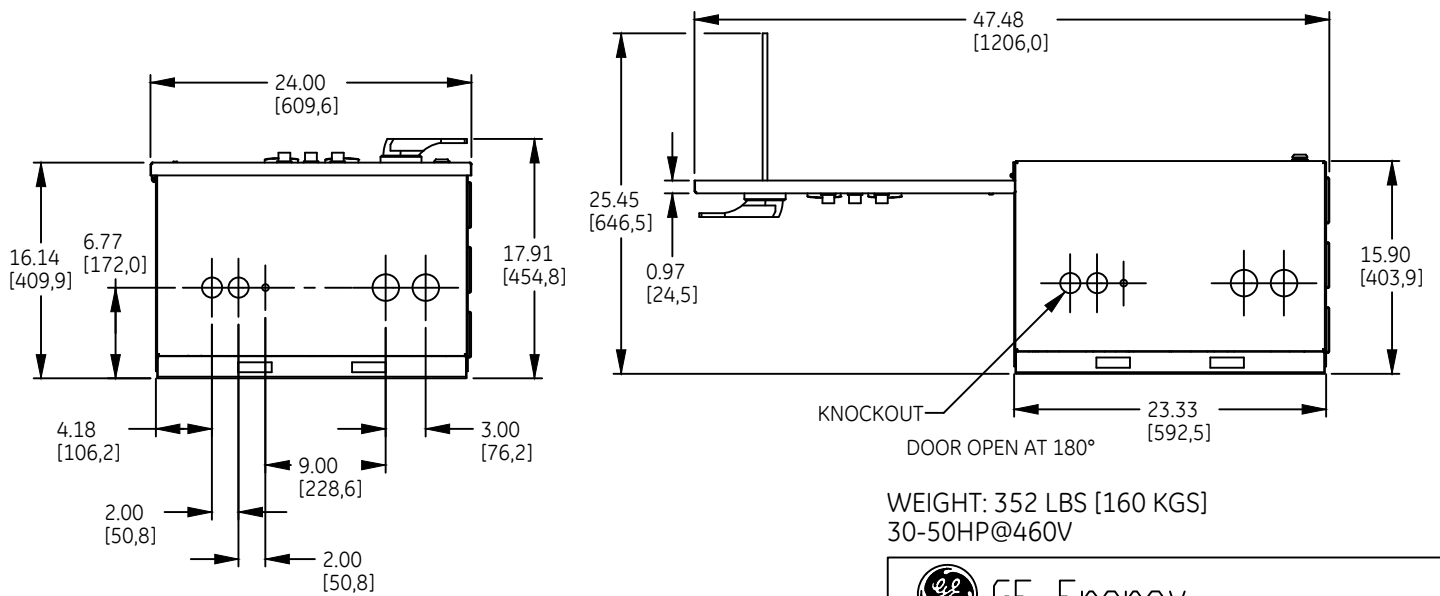
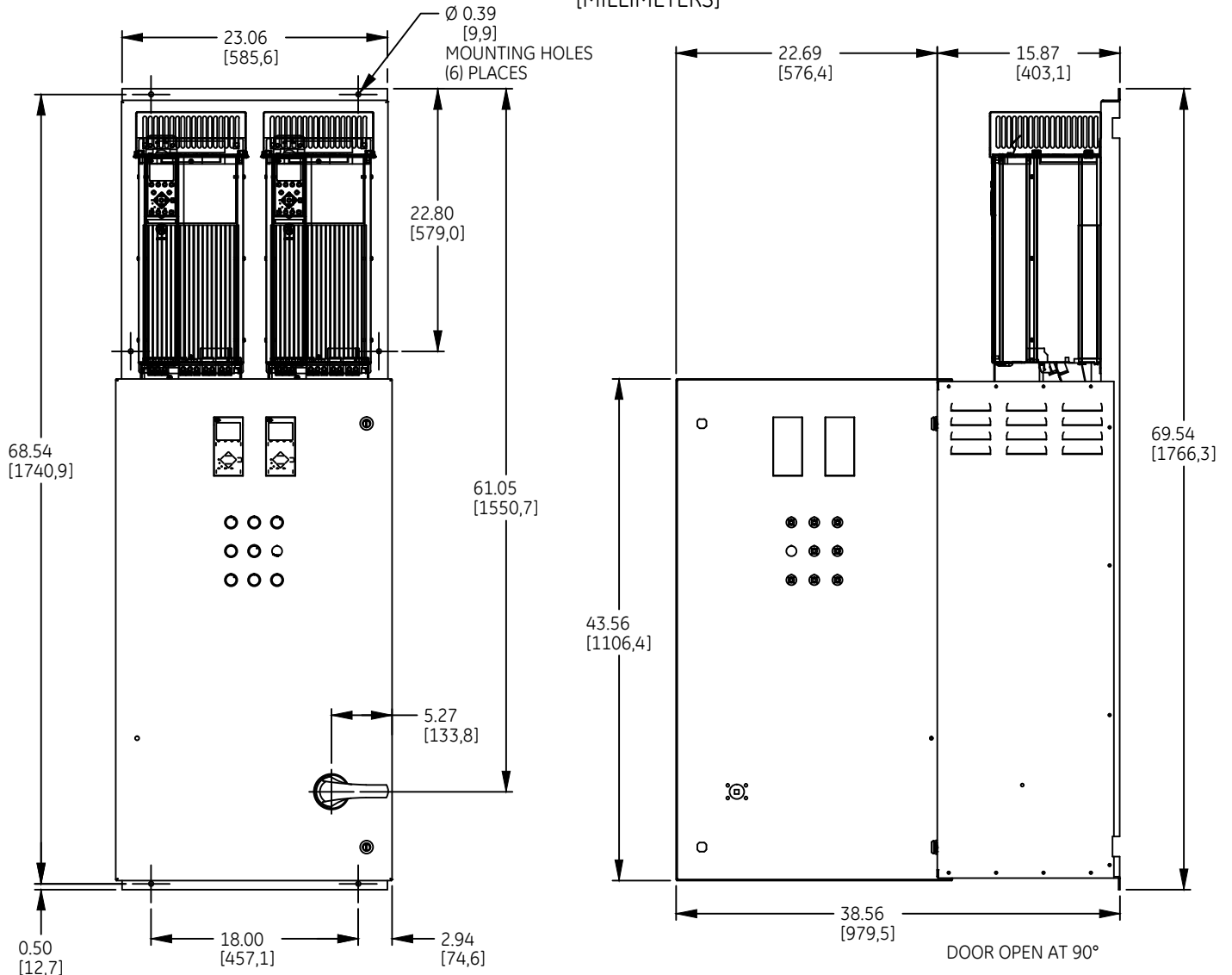


DUAL DIMENSIONS INCHES (ESTIMATING ONLY)  
[MILLIMETERS]



GE Energy

OUTLINE, TYPE - 1  
ENCLOSED DRIVES - REDUNDANT DRIVE

DWG NO.	DATE	REV
55-217845	10/22/10	5

AN #	THIRD ANGLE PROJECTION	SHEET #
12-1025		1 OF 1