

-NOMENCLATURE-
 FS & SS-FAST,SLOW-SPEED
 CONTACTORS MECHANICALLY
 AND ELECTRICALLY
 INTERLOCKED
 OL-OVERLOAD RELAY
 X-INDICATES CONTACT CLOSED
 FU-FUSE

NOTE: ADDITIONAL OVER-CURRENT PROTECTION
 MAY BE REQUIRED. REFER TO THE
 NATIONAL ELECTRICAL CODE OR LOCAL
 ELECTRICAL CODE AS REQUIRED.

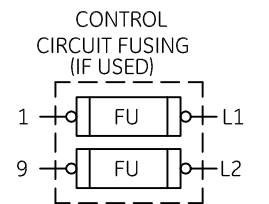
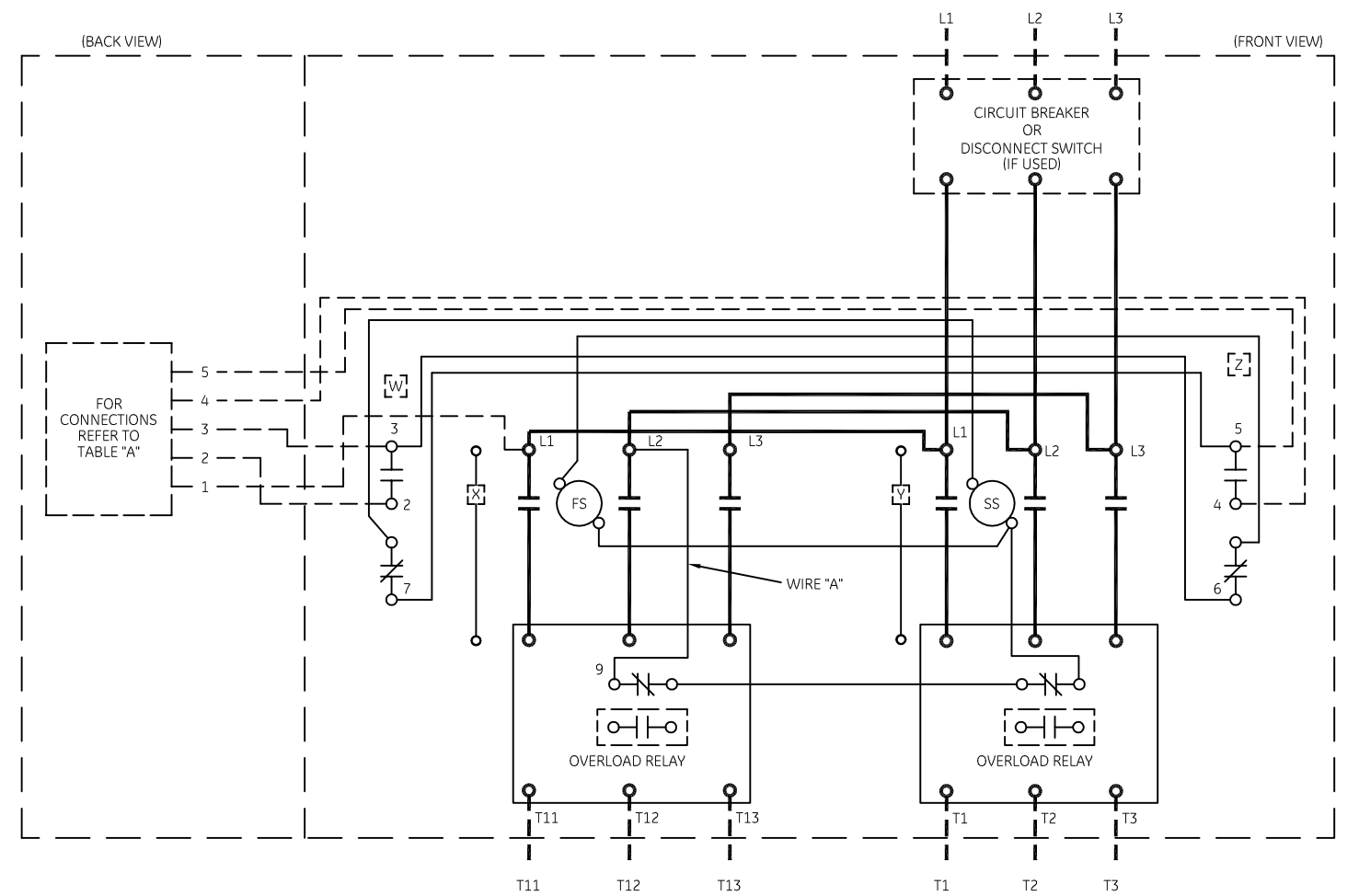
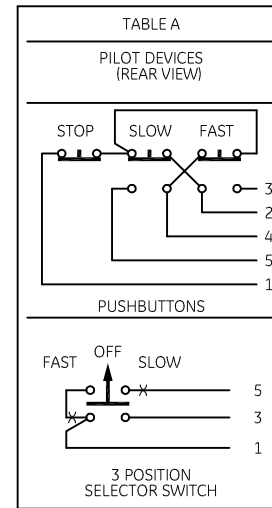
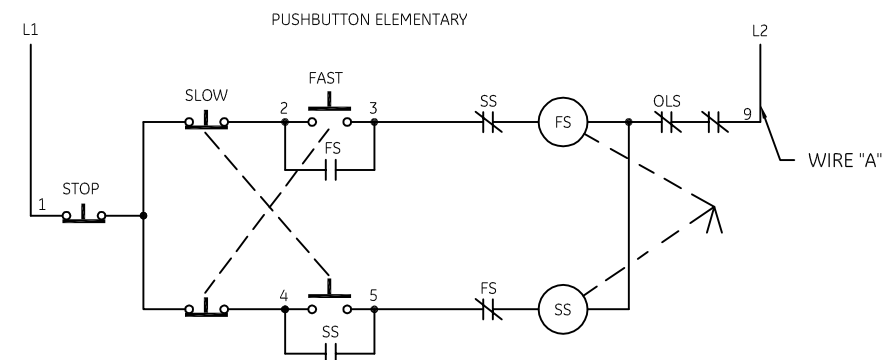
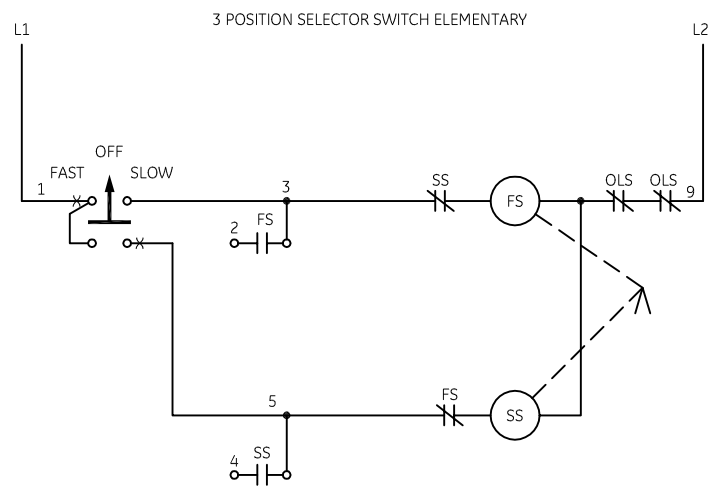
THE FOLLOWING ACCESSORY KITS MAY BE
 INSTALLED ON THIS DEVICE:
 AUX. CONTACT 305X100A,B,C,D,E,Z
 205X100A,B,C,D,E,Z

	LINE	LOAD
USE 75°C, COPPER CONDUCTORS ONLY, FOR FIELD WIRING. TORQUE LINE AND LOAD TERMINALS AS SHOWN AT RIGHT:	CR309 20 LB-IN	20 LB-IN
	CR310 AS MARKED	20 LB-IN
	CR311 35 LB-IN	20 LB-IN
	CR390 AS MARKED	20 LB-IN

GROUND KIT	
1/2-IN CONDUIT	55-213403G001
3/4-IN CONDUIT	55-213403G002
1-IN CONDUIT	55-213403G003
1 1/4-IN CONDUIT	55-213403G004
1 1/2-IN CONDUIT	55-213403G005
2-IN CONDUIT	55-213403G006
2 1/2-IN CONDUIT	55-213403G007
3-IN CONDUIT	55-213403G008

FOR SEPARATE CONTROL SOURCE - OMIT WIRE "A"
 AND CONNECT SEPARATE CONTROL SOURCE TO
 N/C CONTACT ON OL AND TO 1 ON PILOT DEVICE.
 WIRE "A" IS OMITTED AT FACTORY ON ALL STARTERS
 WITH A COIL VOLTAGE OF 120V OR LESS.

ALTERNATIVE LEGENDS FOR FAST AND SLOW
 ARE HIGH AND LOW.



AN #	THIRD ANGLE PROJECTION	SHEET #
09-9115		1 OF 1

imagination at work		
WIRING DIAGRAM 2 SPEED - 2 WINDING SIZE 0 & 1		
DWG NO.	DATE	REV
55-513706	09/02/2009	11