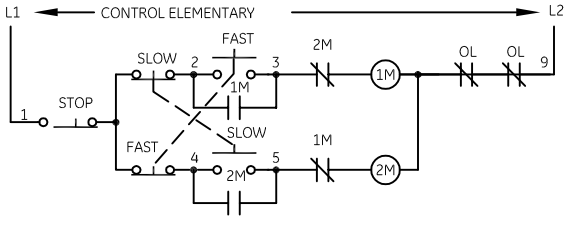


INSTALL OVERLOAD HEATERS
FOR LOW SPEED HIGH SPEED

IN	LOW SPEED	HIGH SPEED
	2OL	1OL

CONNECTION TABLE

PANEL	A	B	C	D	E	F
MOTOR	T1	T2	T3	T6	T4	T5



-NOMENCLATURE-

1M&2M-SPEED CONTACTORS MECHANICALLY & ELECTRICALLY INTERLOCKED.
1OL, 2OL-OVERLOAD RELAYS
I-INDICATING LIGHT
FU-FUSE

	LINE	LOAD
USE 75°C, COPPER CONDUCTORS ONLY, FOR FIELD WIRING, TORQUE LINE AND LOAD TERMINALS AS SHOWN AT RIGHT:	CR309 20 LB-IN	20 LB-IN
	CR310 AS MARKED	20 LB-IN
	CR311 35 LB-IN	20 LB-IN
	CR390 AS MARKED	20 LB-IN

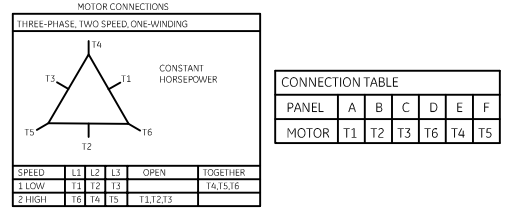
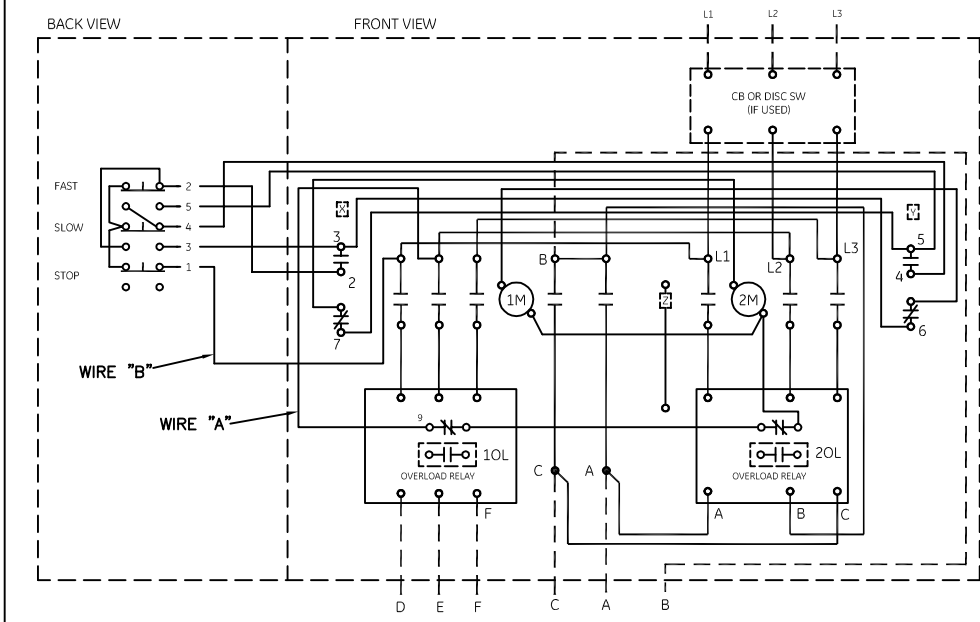
NOTE: ADDITIONAL OVER-CURRENT PROTECTION MAY BE REQUIRED. REFER TO THE NATIONAL ELECTRICAL CODE OR LOCAL ELECTRICAL CODE AS REQUIRED.

GROUND KIT

1/2-IN CONDUIT	55-213403G001
3/4-IN CONDUIT	55-213403G002
1-IN CONDUIT	55-213403G003
1 1/4-IN CONDUIT	55-213403G004
1 1/2-IN CONDUIT	55-213403G005
2-IN CONDUIT	55-213403G006
2 1/2-IN CONDUIT	55-213403G007
3-IN CONDUIT	55-213403G008

ALTERNATIVE LEGENDS FOR FAST AND SLOW ARE HIGH AND LOW.

FOR SEPARATE CONTROL SOURCE-REMOVE WIRES "A" & "B" AND CONNECT SEPARATE CONTROL SOURCE TO 9 ON OL AND TO 1 ON PILOT DEVICE. WIRES "A" & "B" ARE OMITTED AT FACTORY ON ALL CONTROLLERS WITH A COIL VOLTAGE OF 120V OR LESS.

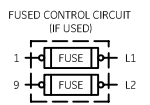
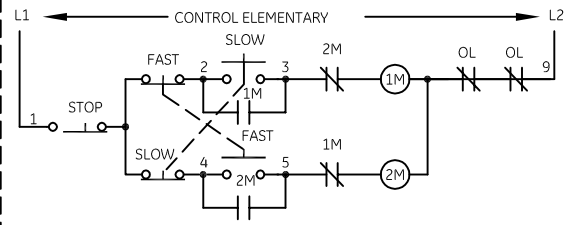


INSTALL OVERLOAD HEATERS
FOR LOW SPEED HIGH SPEED

IN	LOW SPEED	HIGH SPEED
	1OL	2OL

CONNECTION TABLE

PANEL	A	B	C	D	E	F
MOTOR	T1	T2	T3	T6	T4	T5



imagination at work

WIRING DIAGRAM
2 SPEED - 1 WINDING SIZE 0 & 1

AN #	THIRD ANGLE PROJECTION	SHEET #
09-9115		1 OF 1

DWG NO.	DATE	REV
55-513707	09/02/2009	8