

-NOMENCLATURE-

FS & SS-FAST,SLOW-SPEED  
CONTACTORS MECHANICALLY  
AND ELECTRICALLY  
INTERLOCKED  
OL-THERMAL OVERLOAD RELAY  
FU-FUSE

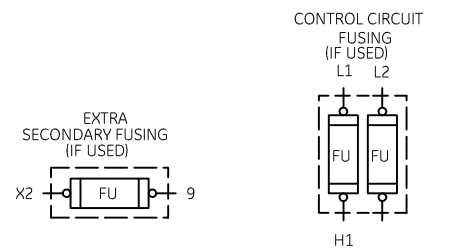
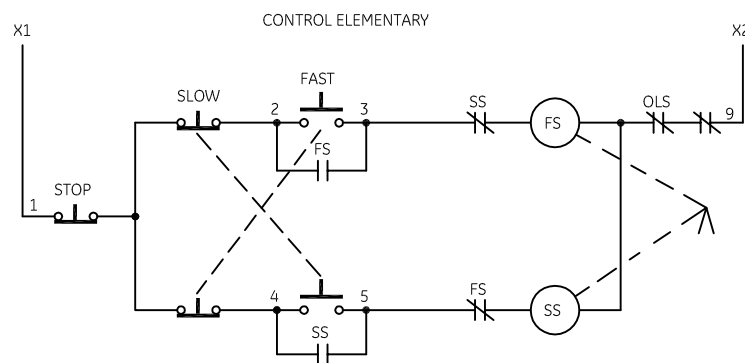
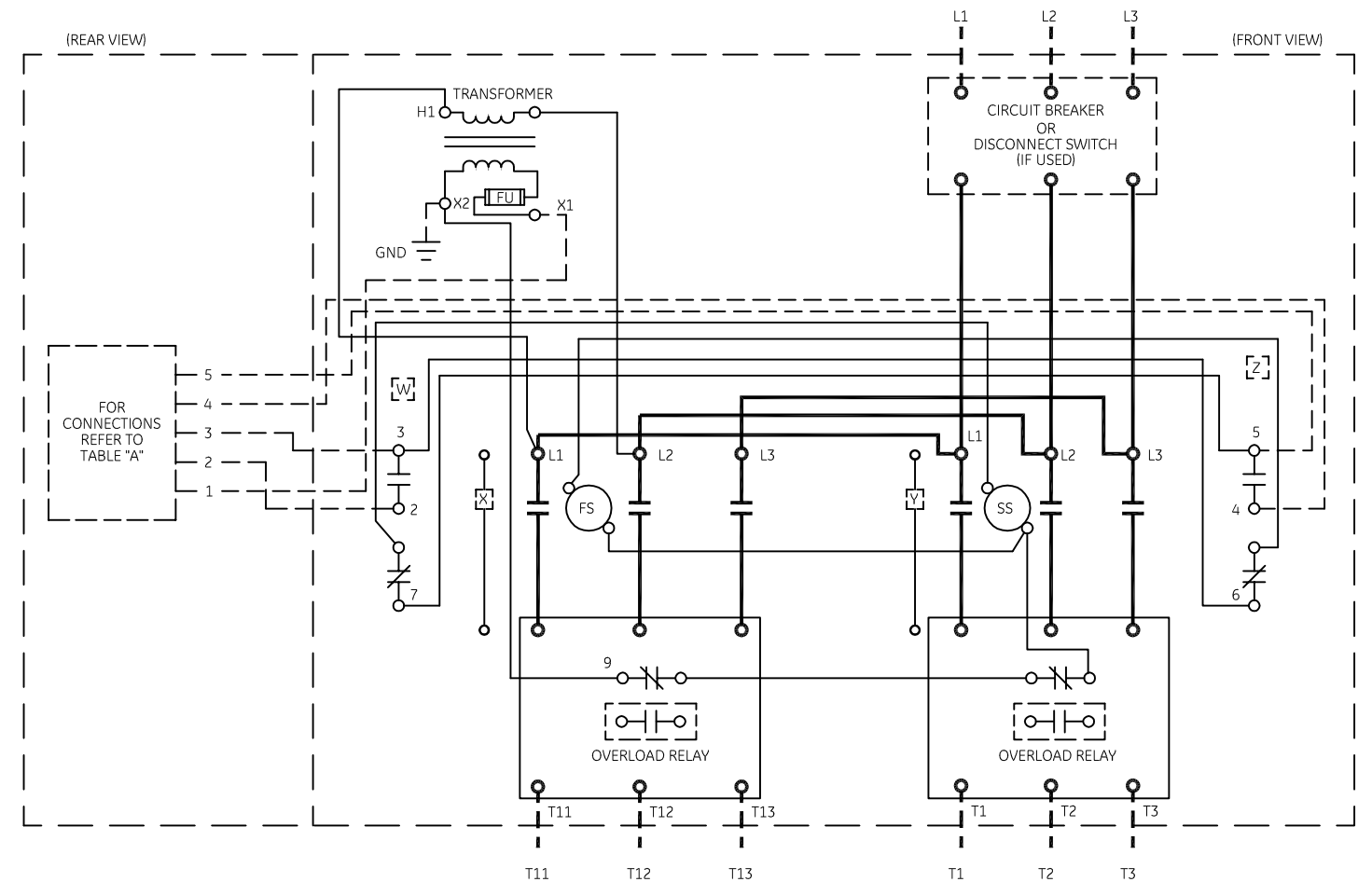
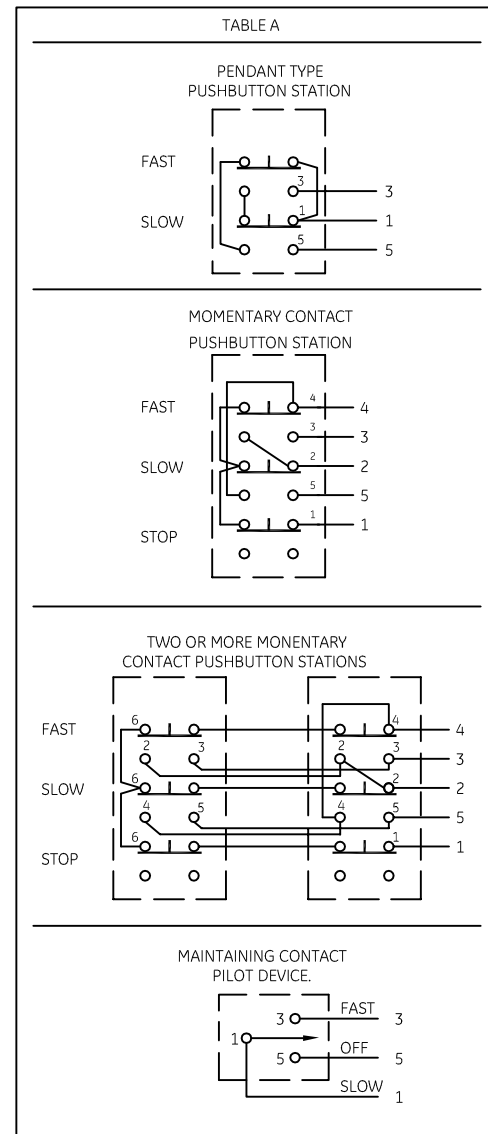
ALTERNATE LEGENDS FOR FAST AND SLOW  
ARE HIGH AND LOW

	LINE	LOAD
USE 75°C COPPER CONDUCTORS ONLY, FOR FIELD WIRING. TORQUE LINE AND LOAD TERMINALS AS MARKED OR AS SHOWN AT RIGHT:	CR309 20 LB-IN	20 LB-IN
	CR310 AS MARKED	20 LB-IN
	CR311 35 LB-IN	20 LB-IN
	CR390 AS MARKED	20 LB-IN

NOTE: ADDITIONAL OVER-CURRENT PROTECTION  
MAY BE REQUIRED. REFER TO THE  
NATIONAL ELECTRICAL CODE OR LOCAL  
ELECTRICAL CODE AS REQUIRED.

GROUND KIT

1/2-IN CONDUIT	55-213403G001
3/4-IN CONDUIT	55-213403G002
1-IN CONDUIT	55-213403G003
1 1/4-IN CONDUIT	55-213403G004
1 1/2-IN CONDUIT	55-213403G005
2-IN CONDUIT	55-213403G006
2 1/2-IN CONDUIT	55-213403G007
3-IN CONDUIT	55-213403G008



imagination at work

WIRING DIAGRAM  
2 SPEED - 2 WINDING SIZE 0 & 1

AN #	THIRD ANGLE PROJECTION	SHEET #	DWG NO.	DATE	REV
09-9115		1 OF 1	55-514506	09/02/2009	11