

-NOMENCLATURE-  
 FS&SS-FAST, SLOW-SPEED CONTACTORS  
 MECHANICALLY AND ELECTRICALLY  
 INTERLOCKED.  
 OL-OVERLOAD RELAY.  
 I-INDICATING LIGHT  
 FU-FUSE  
 X-INDICATES CONTACT CLOSED

		LINE	LOAD
USE 75°C COPPER	CR309	20 LB-IN	20 LB-IN
CONDUCTORS ONLY, FOR	CR310	AS MARKED	20 LB-IN
FIELD WIRING. TORQUE	CR311	35 LB-IN	20 LB-IN
LINE AND LOAD TERMINALS	CR390	AS MARKED	20 LB-IN
AS MARKED OR AS SHOWN			
AT RIGHT:			

NOTE: ADDITIONAL OVER-CURRENT PROTECTION  
 MAY BE REQUIRED. REFER TO THE  
 NATIONAL ELECTRICAL CODE OR LOCAL  
 ELECTRICAL CODE AS REQUIRED.

GROUND KIT

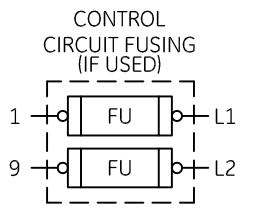
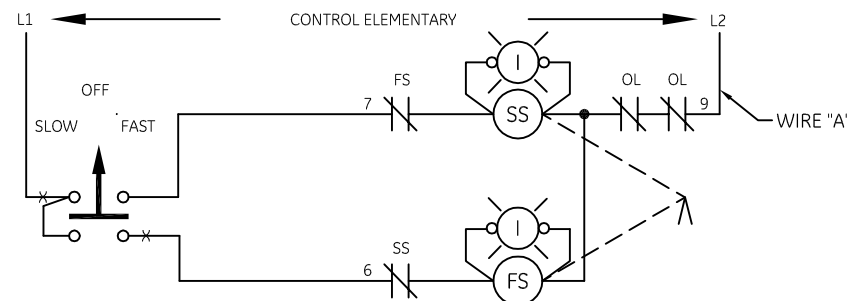
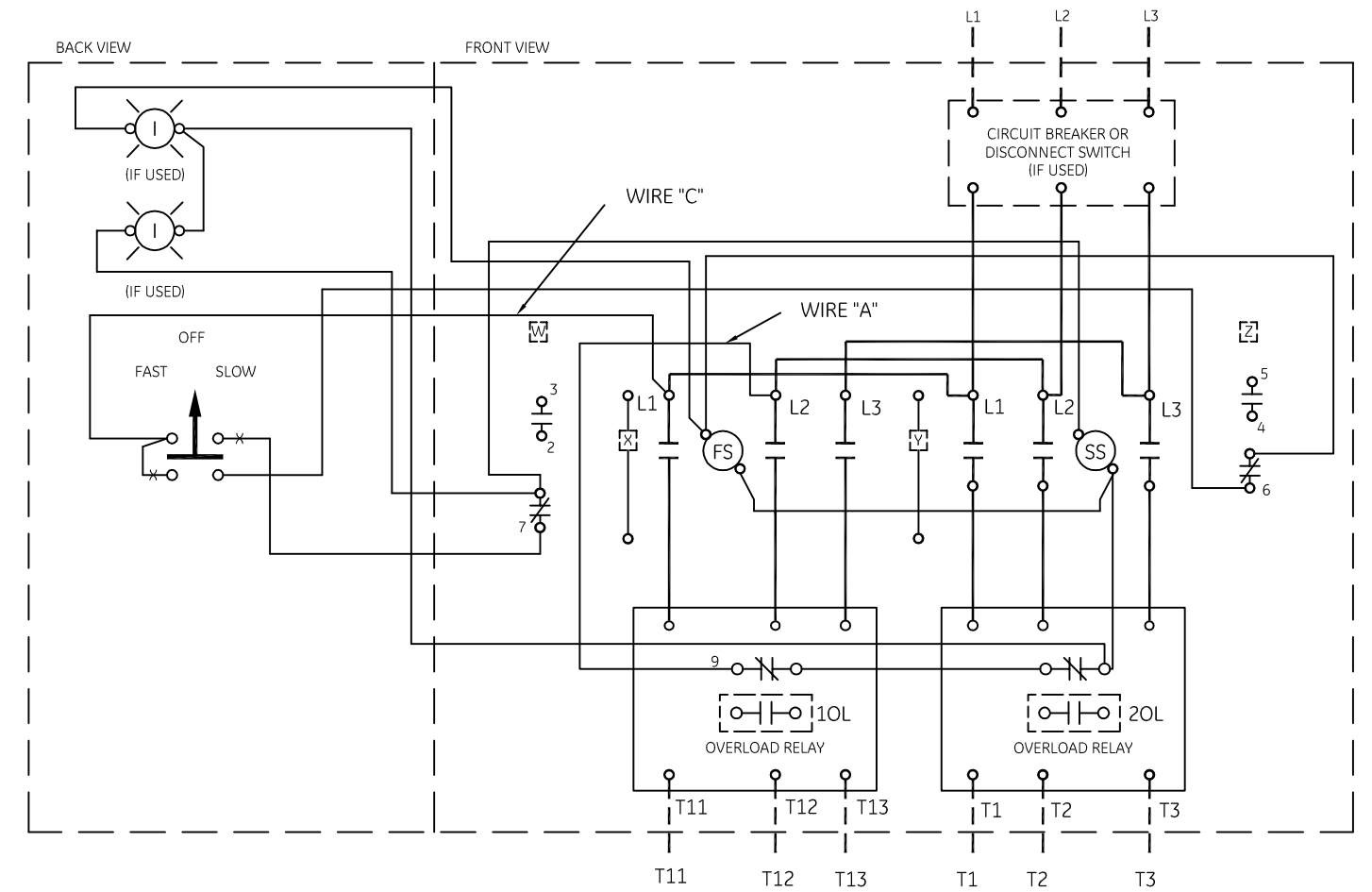
1/2-IN CONDUIT	55-213403G001
3/4-IN CONDUIT	55-213403G002
1-IN CONDUIT	55-213403G003
1 1/4-IN CONDUIT	55-213403G004
1 1/2-IN CONDUIT	55-213403G005
2-IN CONDUIT	55-213403G006
2 1/2-IN CONDUIT	55-213403G007
3-IN CONDUIT	55-213403G008

FOR SEPARATE CONTROL SOURCE - OMIT WIRE "A" AND  
 WIRE "C" AND CONNECT SEPARATE CONTROL SOURCE TO  
 N/C CONTACT ON OL AND TO 1 ON PILOT DEVICE AND PILOT  
 LIGHT. WIRE "A" AND "C" IS OMITTED AT FACTORY ON ALL  
 STARTERS WITH A COIL VOLTAGE OF 120V OR LESS.

ALTERNATIVE LEGENDS FOR FAST AND SLOW  
 ARE HIGH AND LOW.

FOR EXTRA AUXILIARY CONTACTS - A MAXIMUM OF 2  
 CONTACTS MAY BE ADDED AT POSITIONS  
 W & Z.

FOR CONTROLLER WITHOUT DISCONNECT MEANS-WIRE  
 LINE DIRECT TO L1,L2 AND L3 ON CONTACTOR.



AN #		THIRD ANGLE PROJECTION		SHEET #		imagination at work		
						WIRING DIAGRAM 2 SPEED - 2 WINDING SIZE 5		
09-9115		1 OF 1	DWG NO.	DATE	REV	55-514555	09/02/2009	10