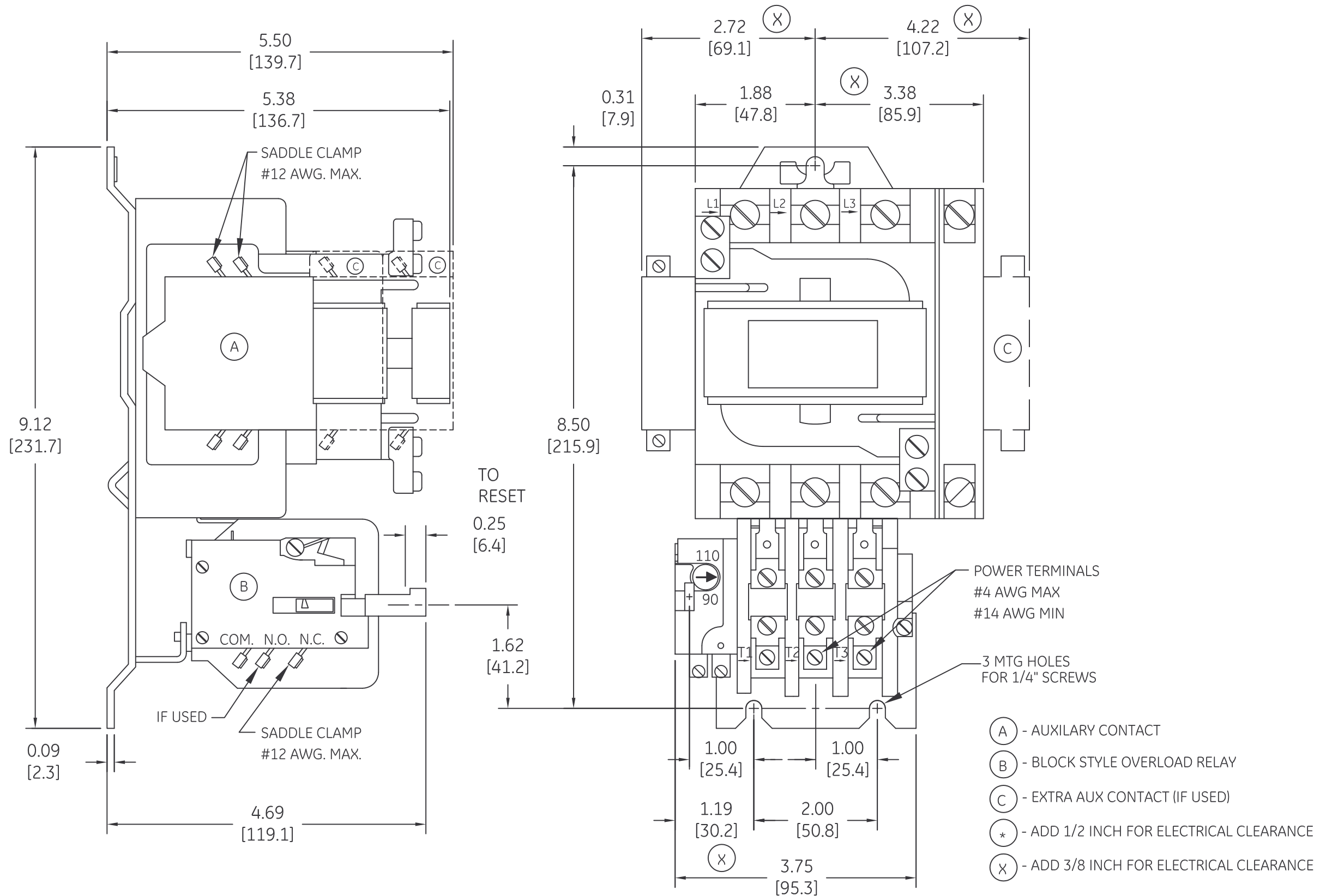


DUAL DIMENSIONS INCHES (ESTIMATING ONLY)
[MILLIMETERS]



imagination at work

OUTLINE
CR306D STARTER OPEN

AN #	THIRD ANGLE PROJECTION	SHEET #	DWG NO.	DATE	REV
09-9112		1 OF 1	55-516419	08/18/2009	2