

-NOMENCLATURE-
 FS&SS-FAST, SLOW-SPEED CONTACTORS
 MECHANICALLY AND ELECTRICALLY
 INTERLOCKED
 OL-OVERLOAD RELAY
 I-INDICATING LIGHT
 FU-FUSE
 X-INDICATES CONTACT CLOSED

ALTERNATE LEGENDS FOR FAST AND SLOW
 ARE HIGH AND LOW

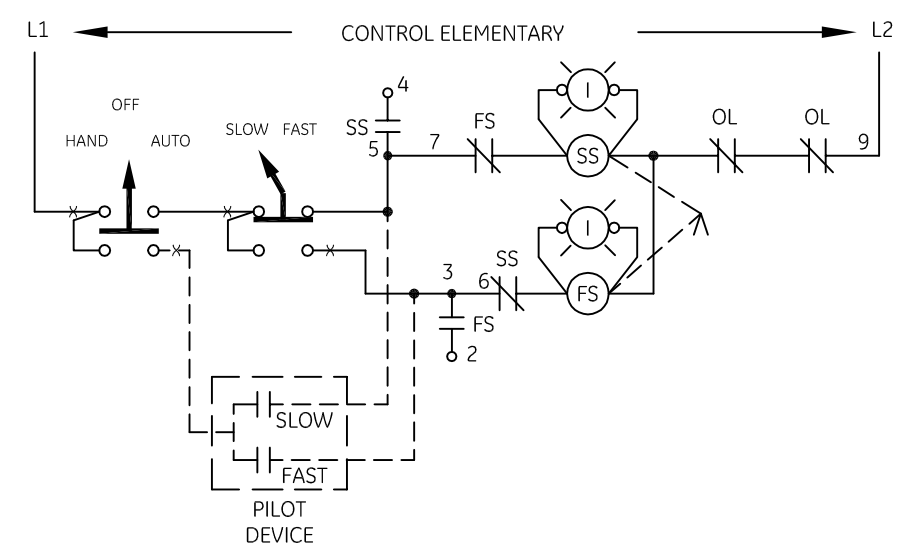
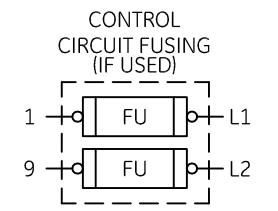
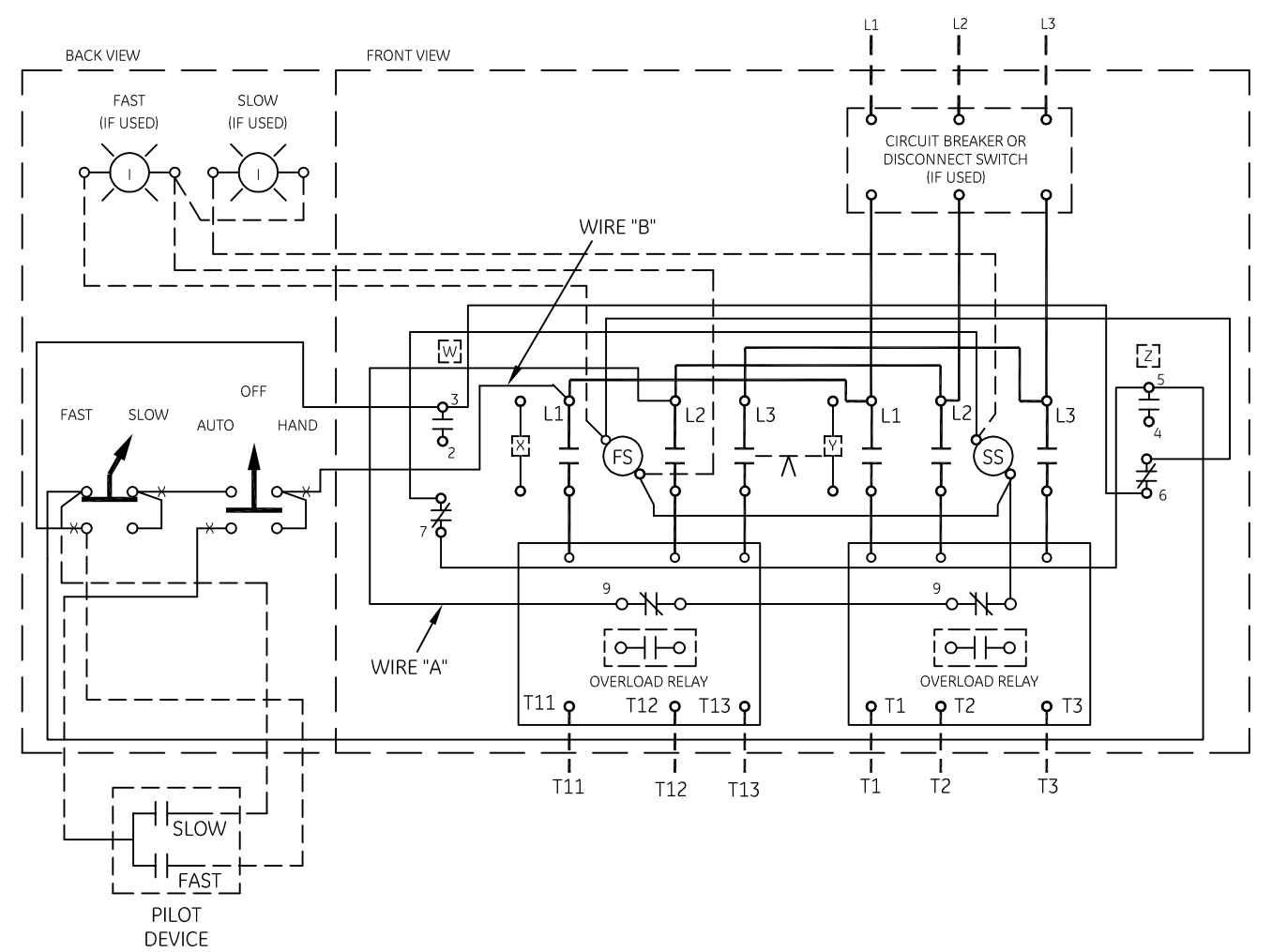
	LINE	LOAD
USE 75°C COPPER	CR309	20 LB-IN
CONDUCTORS ONLY, FOR	CR310	20 LB-IN
FIELD WIRING. TORQUE	CR311	35 LB-IN
LINE AND LOAD TERMINALS	CR390	20 LB-IN
AS MARKED OR AS SHOWN		
AT RIGHT:		

NOTE: ADDITIONAL OVER-CURRENT PROTECTION
 MAY BE REQUIRED. REFER TO THE
 NATIONAL ELECTRICAL CODE OR LOCAL
 ELECTRICAL CODE AS REQUIRED.

GROUND KIT

1/2-IN CONDUIT	55-213403G001
3/4-IN CONDUIT	55-213403G002
1-IN CONDUIT	55-213403G003
1 1/4-IN CONDUIT	55-213403G004
1 1/2-IN CONDUIT	55-213403G005
2-IN CONDUIT	55-213403G006
2 1/2-IN CONDUIT	55-213403G007
3-IN CONDUIT	55-213403G008

FOR SEPARATE CONTROL SOURCE-REMOVE WIRES "A" & "B"
 AND CONNECT SEPARATE CONTROL SOURCE TO 9 ON OL
 AND TO 1 ON PILOT DEVICE. WIRES "A" & "B" ARE
 OMITTED AT FACTORY ON ALL CONTROLLERS WITH A
 COIL VOLTAGE OF 120V OR LESS.



GE imagination at work

WIRING DIAGRAM
 2 SPEED - 2 WINDING SIZE 0 & 1

AN #	THIRD ANGLE PROJECTION	SHEET #	DWG NO.	DATE	REV
09-9115		1 OF 1	55-520296	09/07/2009	11