

-NOMENCLATURE-

FS & SS-FAST,SLOW-SPEED CONTACTORS MECHANICALLY AND ELECTRICALLY INTERLOCKED.
 OL - OVERLOAD RELAY
 I - INDICATING LIGHT
 FU-FUSE
 X-INDICATES CONTACT CLOSED

	LINE	LOAD
USE 75°C COPPER	CR309 20 LB-IN	20 LB-IN
CONDUCTORS ONLY, FOR	CR310 AS MARKED	20 LB-IN
FIELD WIRING, TORQUE	CR311 35 LB-IN	20 LB-IN
LINE AND LOAD TERMINALS AS MARKED OR AS SHOWN AT RIGHT:	CR390 AS MARKED	20 LB-IN

NOTE: ADDITIONAL OVER-CURRENT PROTECTION MAY BE REQUIRED. REFER TO THE NATIONAL ELECTRICAL CODE OR LOCAL ELECTRICAL CODE AS REQUIRED.

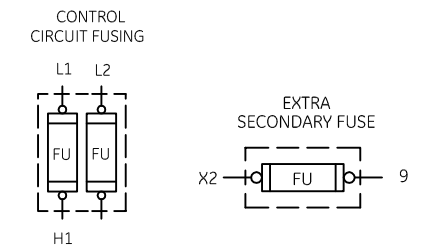
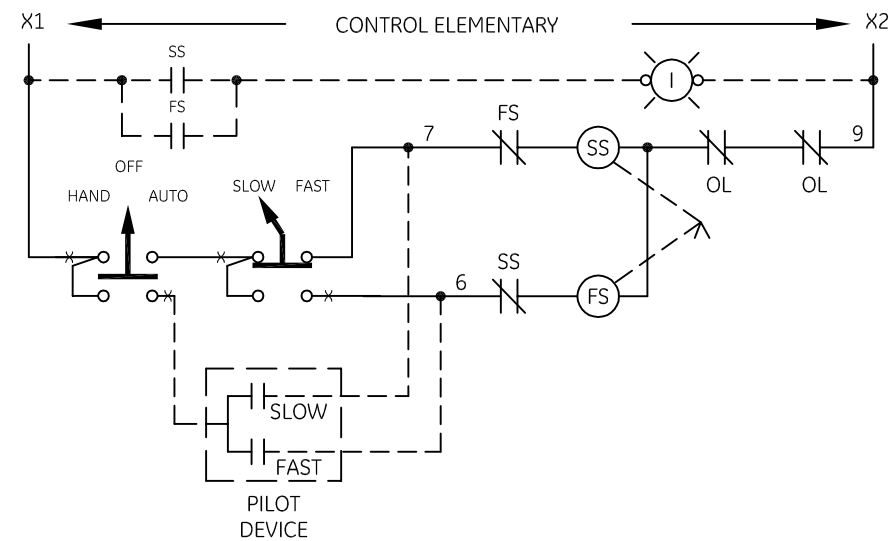
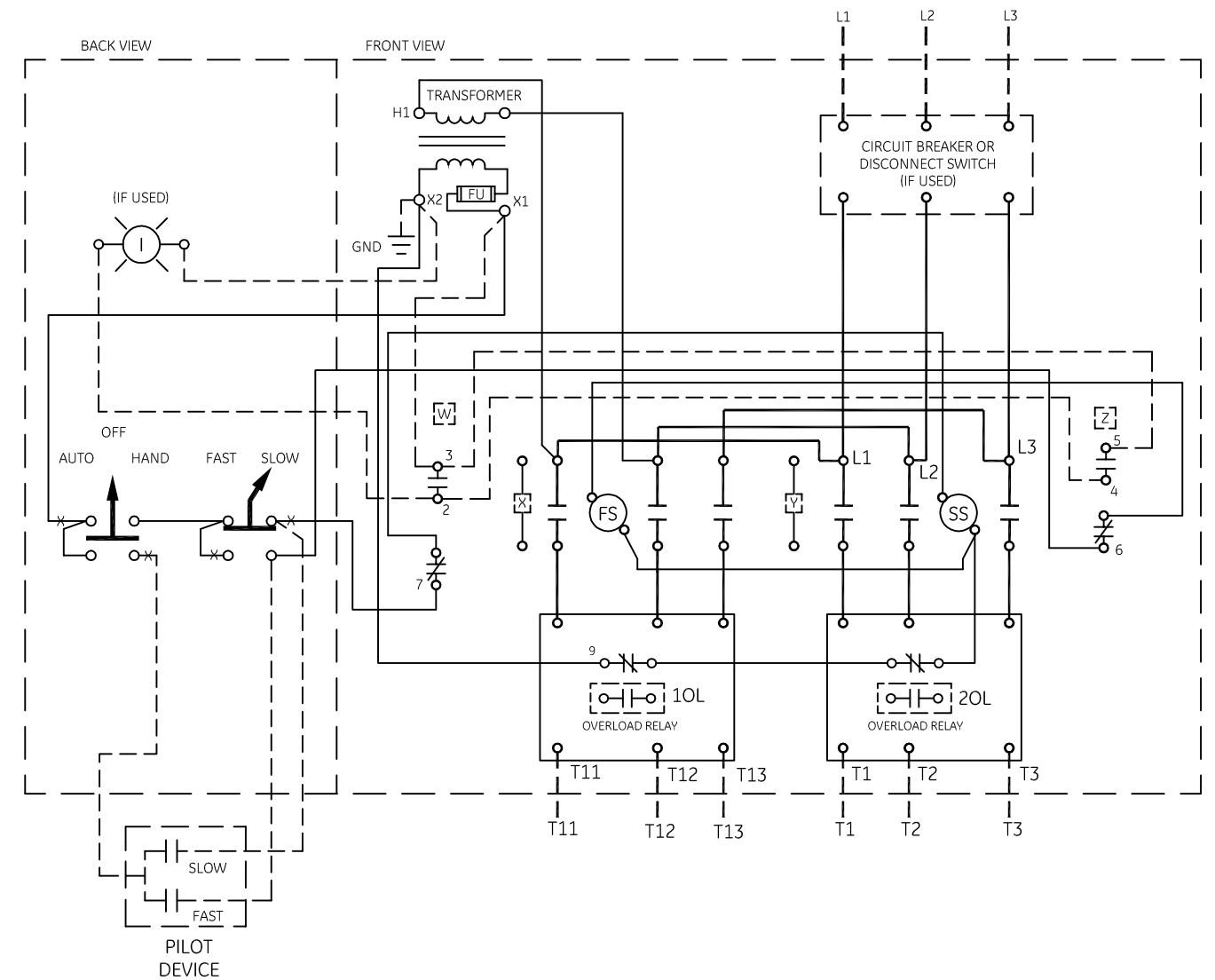
GROUND KIT

1/2-IN CONDUIT	55-213403G001
3/4-IN CONDUIT	55-213403G002
1-IN CONDUIT	55-213403G003
1 1/4-IN CONDUIT	55-213403G004
1 1/2-IN CONDUIT	55-213403G005
2-IN CONDUIT	55-213403G006
2 1/2-IN CONDUIT	55-213403G007
3-IN CONDUIT	55-213403G008

ALTERNATIVE LEGENDS FOR FAST AND SLOW ARE HIGH AND LOW.

FOR EXTRA AUXILIARY CONTACTS A MAXIMUM OF 4 CONTACTS MAY BE ADDED AT POSITIONS W,X,Y & Z.

FOR CONTROLLER WITHOUT DISCONNECT MEANS-WIRE LINE DIRECT TO L1, L2 AND L3 ON CONTROLLER.



imagination at work

WIRING DIAGRAM
 2 SPEED - 2 WINDING SIZE 0 & 1

AN #	THIRD ANGLE PROJECTION	SHEET #	DWG NO.	DATE	REV
09-9115		1 OF 1	55-520979	09/04/2009	11