

-NOMENCLATURE-
 FS&SS-FAST, SLOW-SPEED CONTACTORS
 MECHANICALLY AND ELECTRICALLY
 INTERLOCKED.
 OL-OVERLOAD RELAY.
 I-INDICATING LIGHT

NOTE: ADDITIONAL OVER-CURRENT PROTECTION
 MAY BE REQUIRED. REFER TO THE
 NATIONAL ELECTRICAL CODE OR LOCAL
 ELECTRICAL CODE AS REQUIRED.

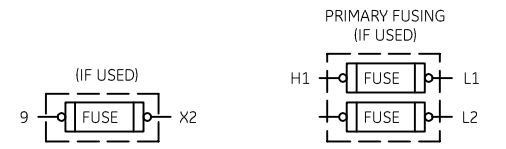
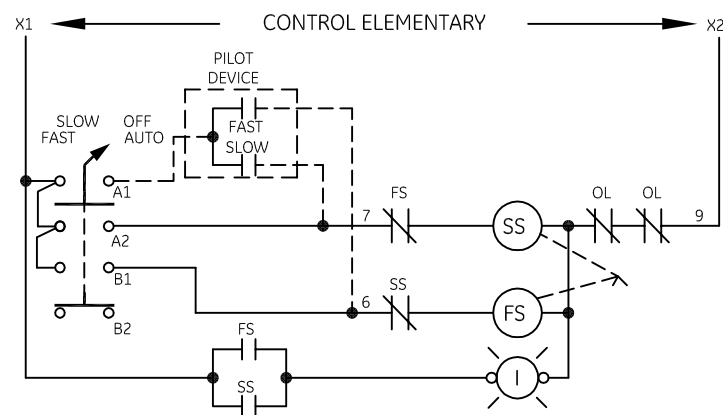
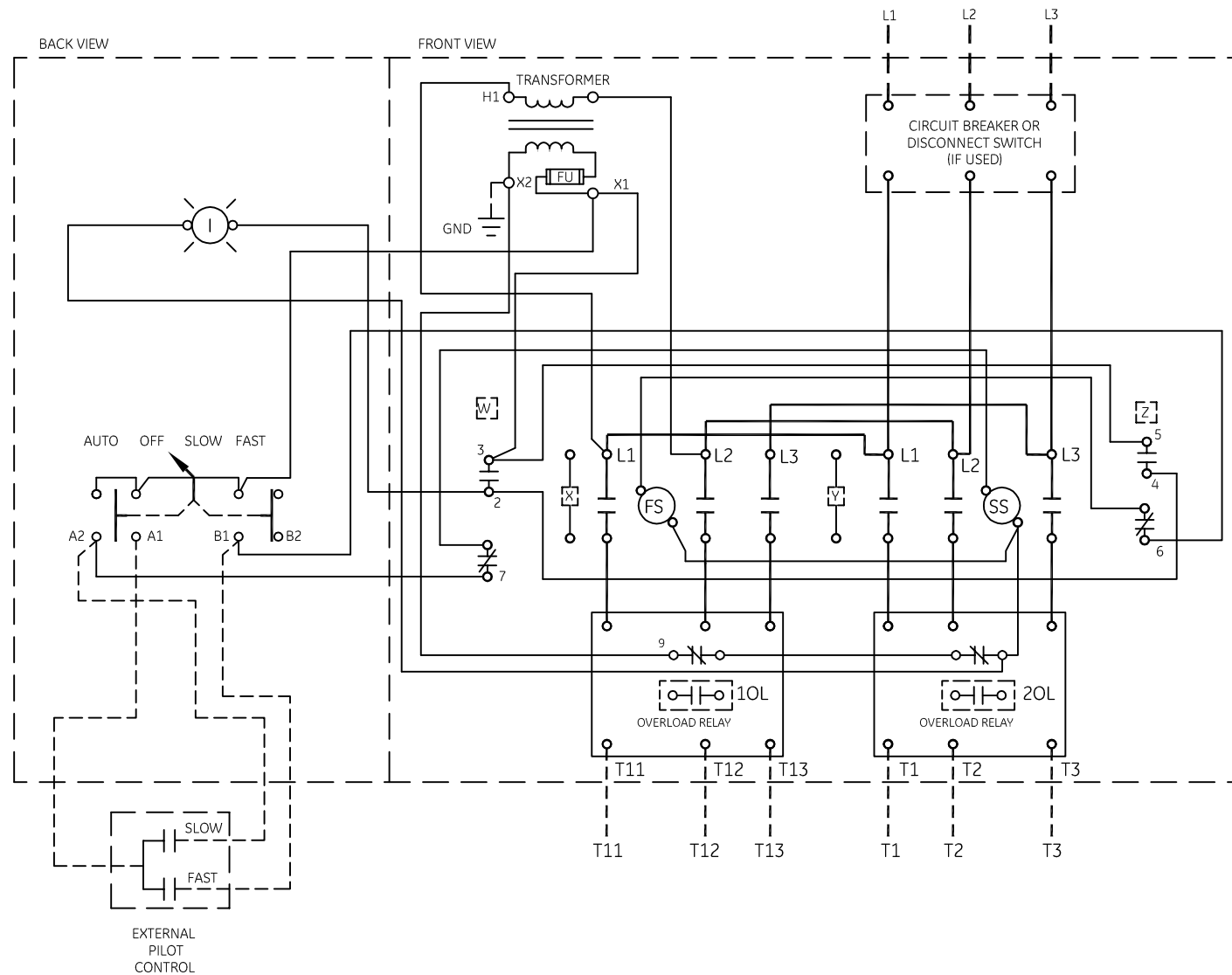
FOR EXTRA AUXILIARY CONTACTS A MAXIMUM
 OF 4 CONTACTS MAY BE ADDED AT POSITIONS
 W,X,Y & Z.

GROUND KIT

1/2-IN CONDUIT	55-213403G001
3/4-IN CONDUIT	55-213403G002
1-IN CONDUIT	55-213403G003
1 1/4-IN CONDUIT	55-213403G004
1 1/2-IN CONDUIT	55-213403G005
2-IN CONDUIT	55-213403G006
2 1/2-IN CONDUIT	55-213403G007
3-IN CONDUIT	55-213403G008

SELECTOR SWITCH

CONTACT	POSITION			
	FAST	SLOW	OFF	AUTO
A1				X
A2		X		
B1	X			
B2			X	



imagination at work

WIRING DIAGRAM
 2 SPEED - 2 WINDING SIZE 0 & 1

AN #	THIRD ANGLE PROJECTION	SHEET #	DWG NO.	DATE	REV
09-9115		1 OF 1	55-523183	09/08/2009	6