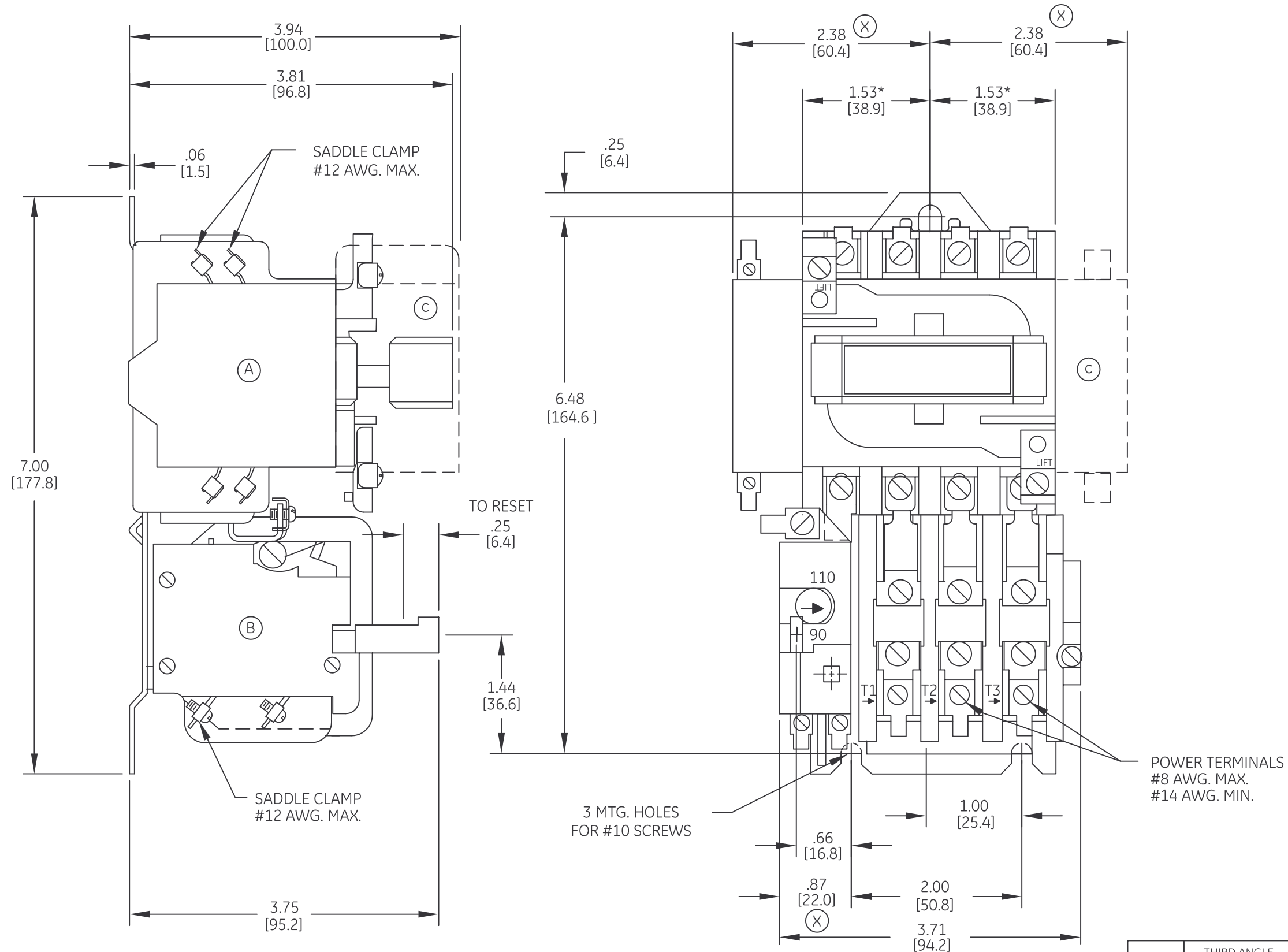


DUAL DIMENSIONS INCHES [MILLIMETERS] (ESTIMATING ONLY)



- (A) - AUXILIARY CONTACT (IF USED)
- (B) - BLOCK STYLE OVERLOAD RELAY
- (C) - EXTRA AUX. CONTACT (IF USED)
- * - ADD 1/2" FOR ELECTRICAL CLEARANCE
- (X) - ADD 3/8" FOR ELECTRICAL CLEARANCE

imagination at work

OUTLINE
CR306 STARTER OPEN

AN #	THIRD ANGLE PROJECTION	SHEET #	DWG NO.	DATE	REV
09-9107		1 OF 1	55-526672	07/28/2009	6