

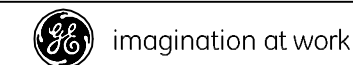
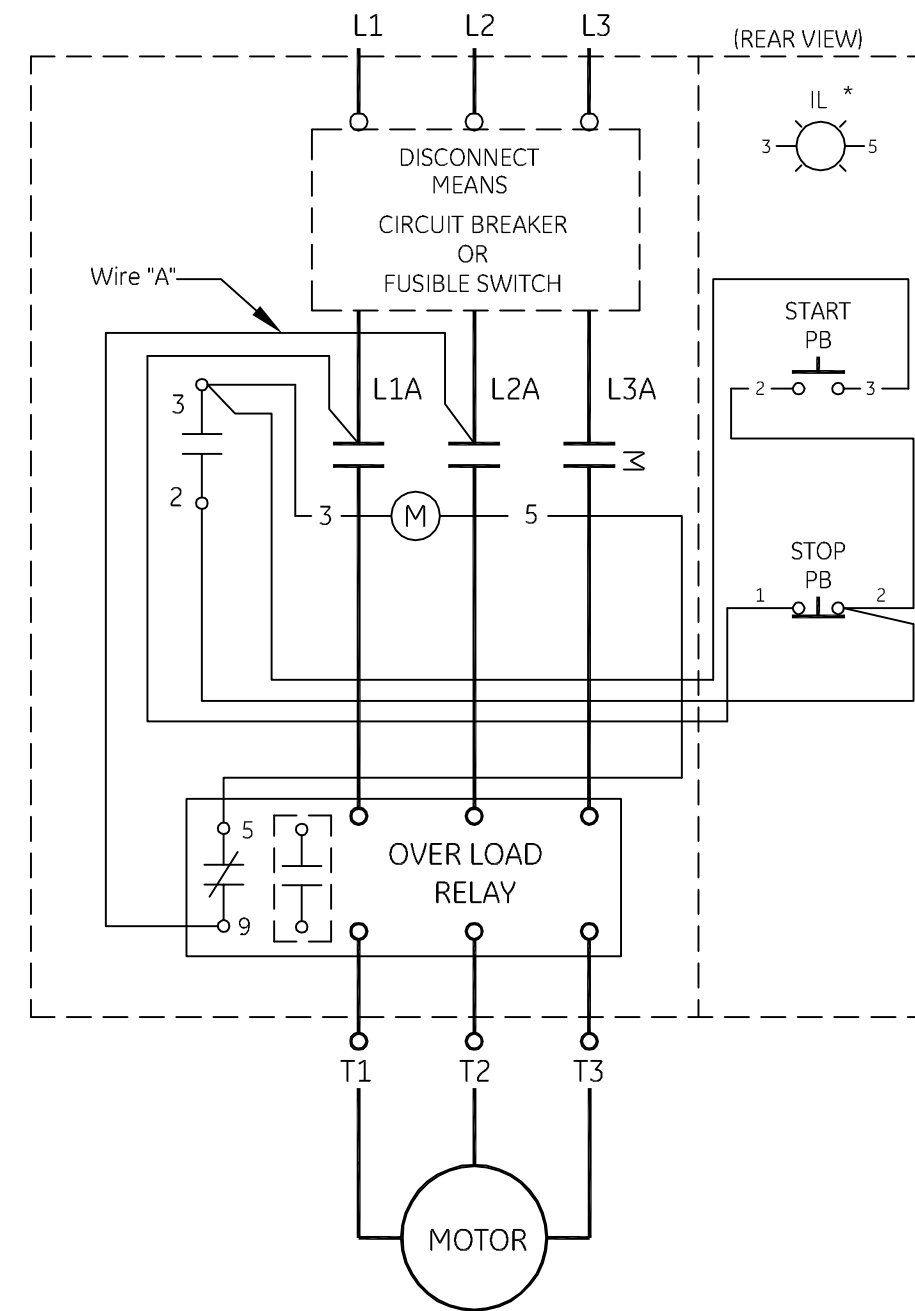
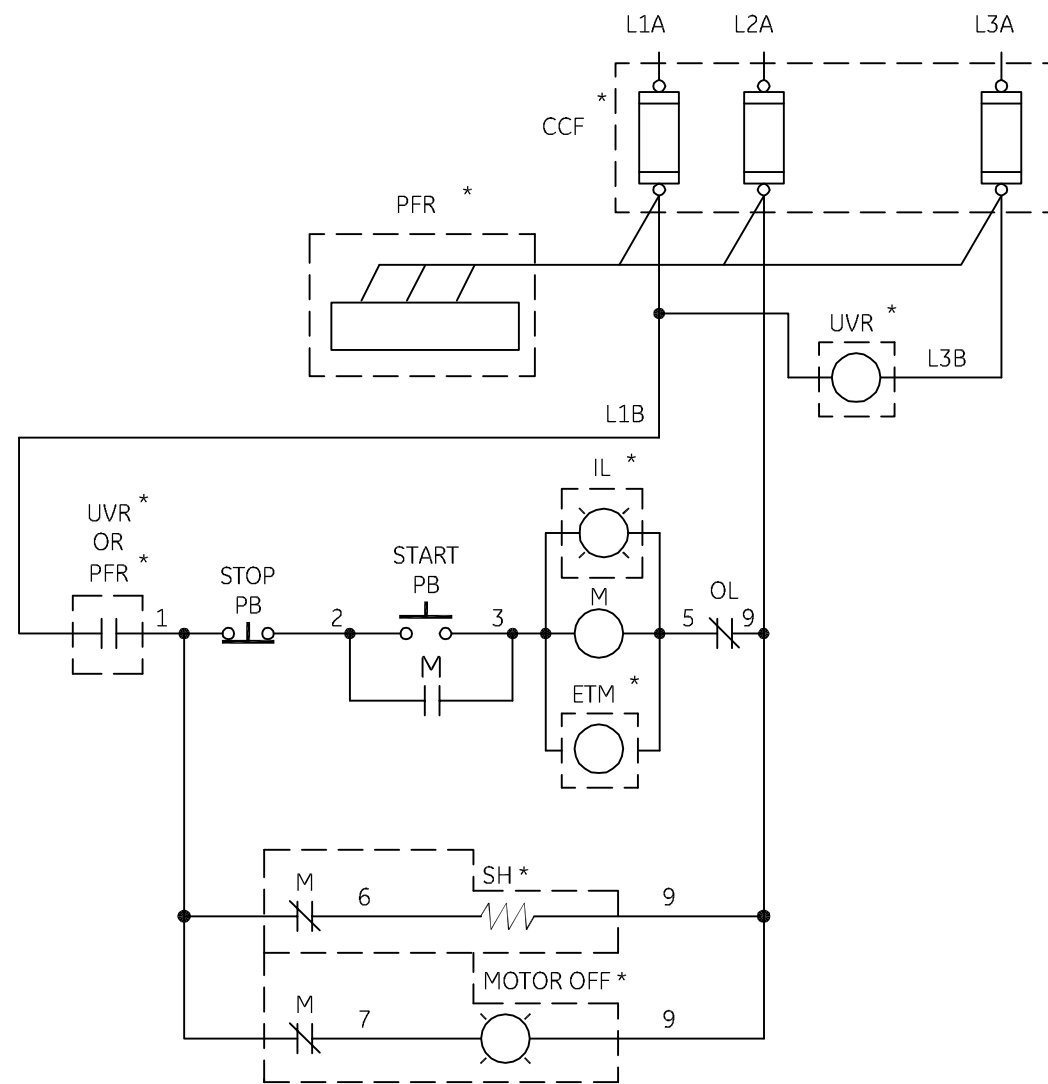
NOMENCLATURE

- CCF CONTROL CIRCUIT FUSING
- IL INDICATING LIGHT
- M MOTOR CONTACTOR
- OL THERMAL OVERLOAD RELAY
- PB PUSHBUTTON
- PFR PHASE FAILURE RELAY
- UVR UNDERVOLTAGE RELAY
- * IF USED
- ETM ELAPSED TIME METER
- SH SPACE HEATER
- G GREEN
- R RED

NOTE: REFER TO THE NATIONAL ELECTRICAL CODE. ADDITIONAL CONTROL CIRCUIT OVER-CURRENT PROTECTION MAY BE REQUIRED.

** FOR THREE PHASE USE 3 HEATERS. FOR SINGLE PHASE USE 2 HEATERS AND CONNECT LINES TO L1 AND L3. LOAD TO T1 AND T3. MOVE WIRE "A" FROM L2A TO L3A.

SIZE	CR340	CR341
	LINE LOAD	LINE LOAD
1	AS MARKED 20 LB-IN	35 LB-IN 20 LB-IN
2	AS MARKED 50 LB-IN	50 LB-IN 50 LB-IN
3	AS MARKED 150 LB-IN	50 LB-IN 150 LB-IN
4	AS MARKED 200 LB-IN	275 LB-IN 200 LB-IN
5	AS MARKED 300 LB-IN	AS MARKED 300 LB-IN



**WIRING DIAGRAM
PUMP PANEL (CR340, 341)**

AN #	THIRD ANGLE PROJECTION	SHEET #	DWG NO.	DATE	REV
09-9121		1 OF 1	55-526908	10/05/2009	6