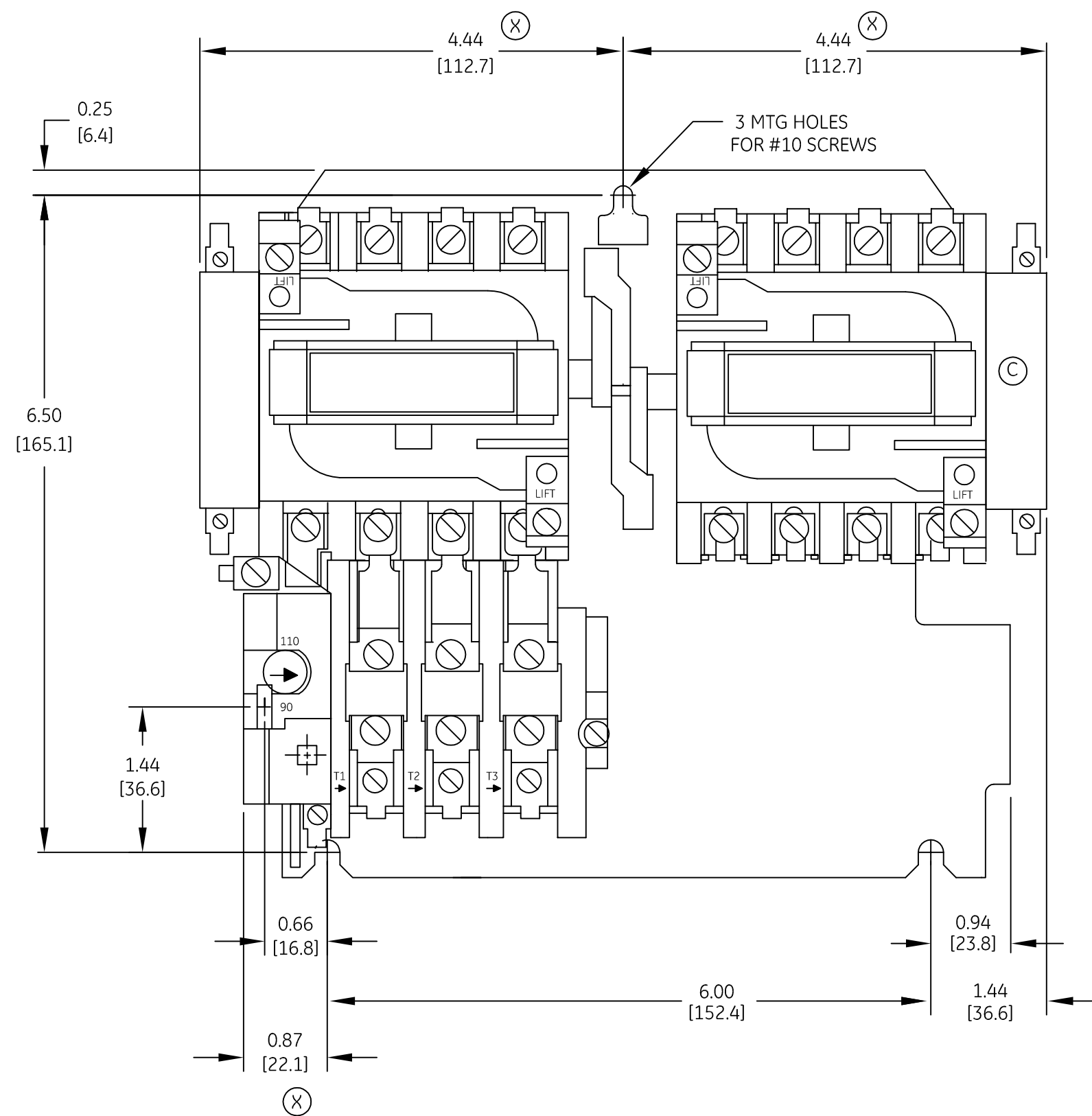
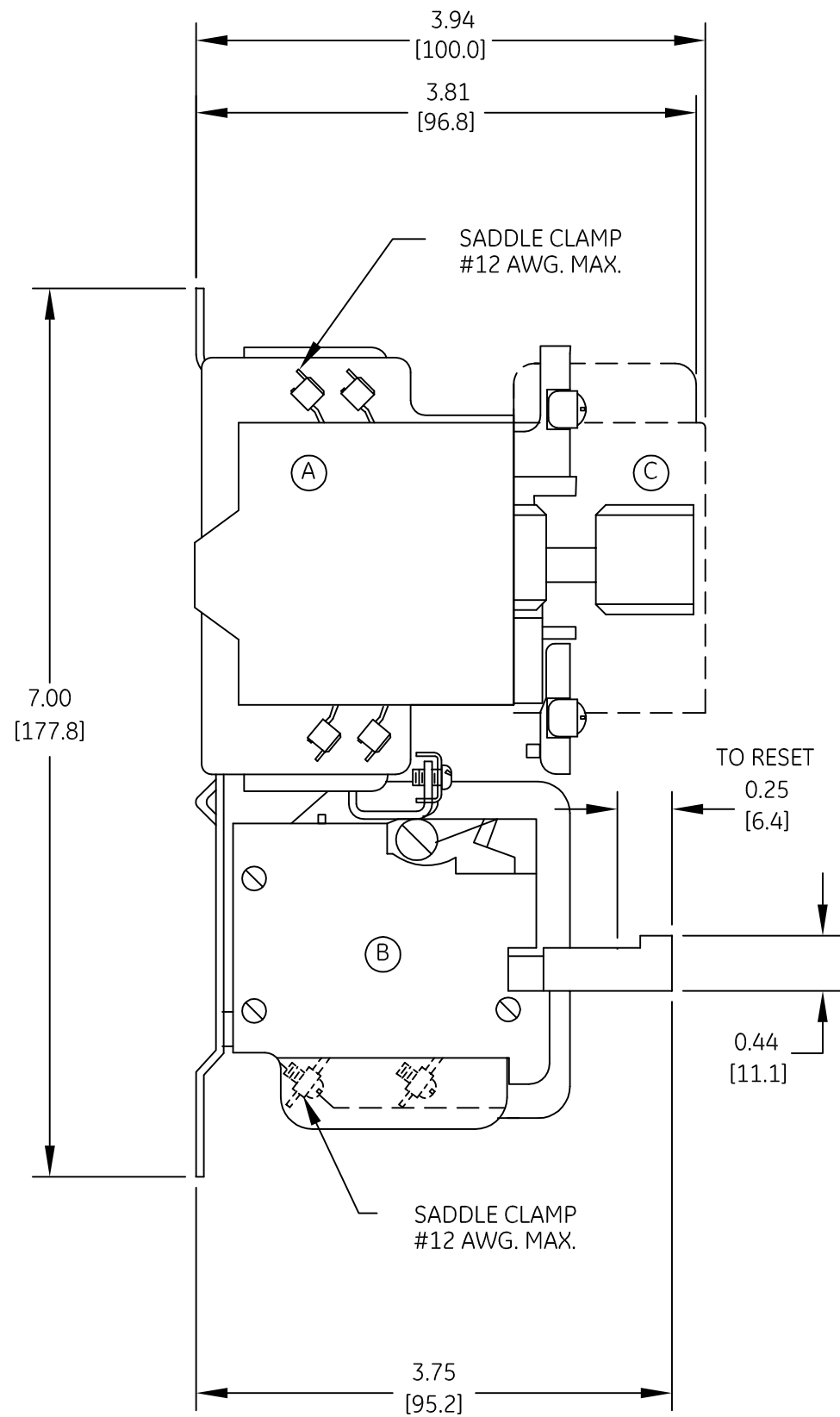


DUAL DIMENSIONS INCHES (ESTIMATING ONLY)
[MILLIMETERS]



- (A) -AUXILIARY CONTACT (IF USED)
- (B) -BLOCK STYLE OVERLOAD RELAY
- (C) -EXTRA AUX CONTACT (IF USED)
- (X) -ADD 0.38 [9.7] FOR ELECTRICAL CLEARANCE

GE imagination at work

OUTLINE
CR309C REVERSER OPEN

AN #	THIRD ANGLE PROJECTION	SHEET #	DWG NO.	DATE	REV
09-9107		1 OF 1	55-526998	07/29/2009	3