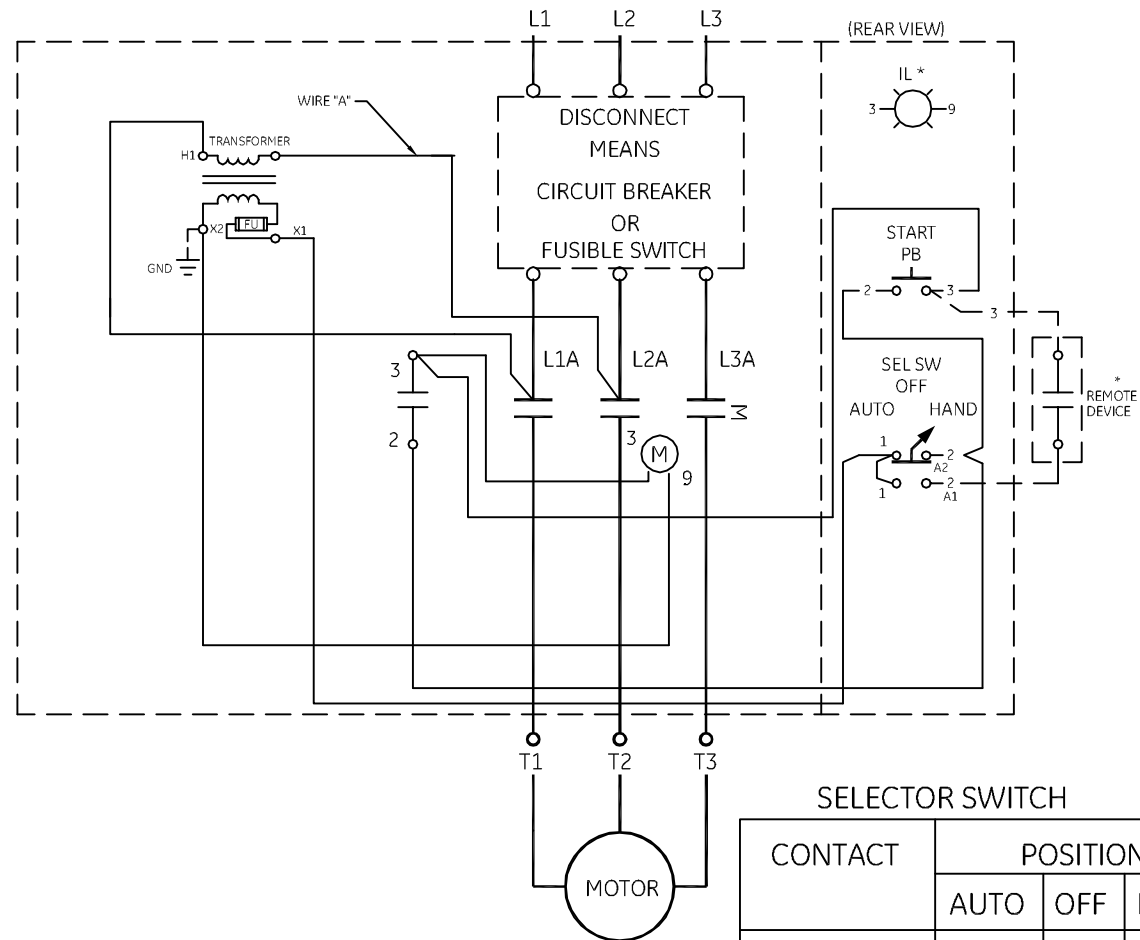


NOMENCLATURE

CCF CONTROL CIRCUIT FUSING
 CPT CONTROL POWER TRANSFORMER
 IL INDICATING LIGHT
 M MOTOR CONTACTOR
 PB PUSHBUTTON
 PFR PHASE FAILURE RELAY
 UVR UNDERVOLTAGE RELAY
 * IF USED

FOR SINGLE PHASE CONNECT
 LINES TO L1 AND L3, LOAD TO
 T1 AND T3. MOVE WIRE "A" TO L3A.

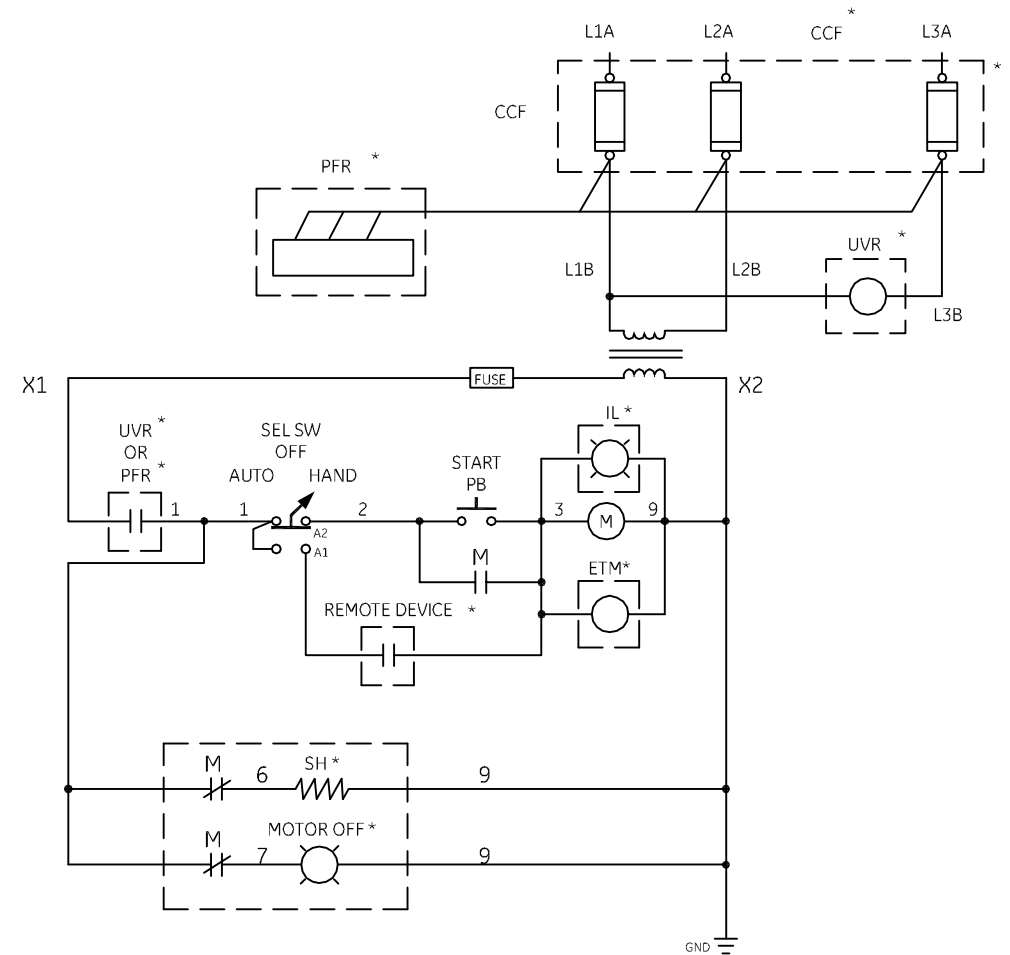
NOTE: REFER TO THE NATIONAL ELECTRICAL CODE.
 ADDITIONAL CONTROL CIRCUIT OVER-
 CURRENT PROTECTION MAY BE REQUIRED.



SELECTOR SWITCH

CONTACT	POSITION		
	AUTO	OFF	HAND
A1	X		
A2			X

X-INDICATES CONTACT CLOSED



FOR SEPARATE CONTROL- CPT, FUSE WIRES 1 AND 9
 ARE NOT FURNISHED. CONNECT SEPARATE CONTROL
 SOURCE TO OL AND UVR (IF USED), PFR (IF USED)
 OR SELECTOR SWITCH

USE 75 C CONDUCTORS ONLY FOR FIELD WIRING. TORQUE
 LINE AND LOAD TERMINALS AS MARKED OR AS SHOWN IN TABLE BELOW.

SIZE	CR340		CR341	
	LINE	LOAD	LINE	LOAD
1	AS MARKED	20 LB-IN	35 LB-IN	20 LB-IN
2	AS MARKED	50 LB-IN	50 LB-IN	50 LB-IN
3	AS MARKED	150 LB-IN	50 LB-IN	150 LB-IN
4	AS MARKED	200 LB-IN	275 LB-IN	200 LB-IN
5	AS MARKED	300 LB-IN	AS MARKED	300 LB-IN

AN #	THIRD ANGLE PROJECTION	SHEET #
09-9121		1 OF 1

GE imagination at work

WIRING DIAGRAM
PUMP PANEL (CR340, 341)

DWG NO.	DATE	REV
55-529200	10/05/2009	8