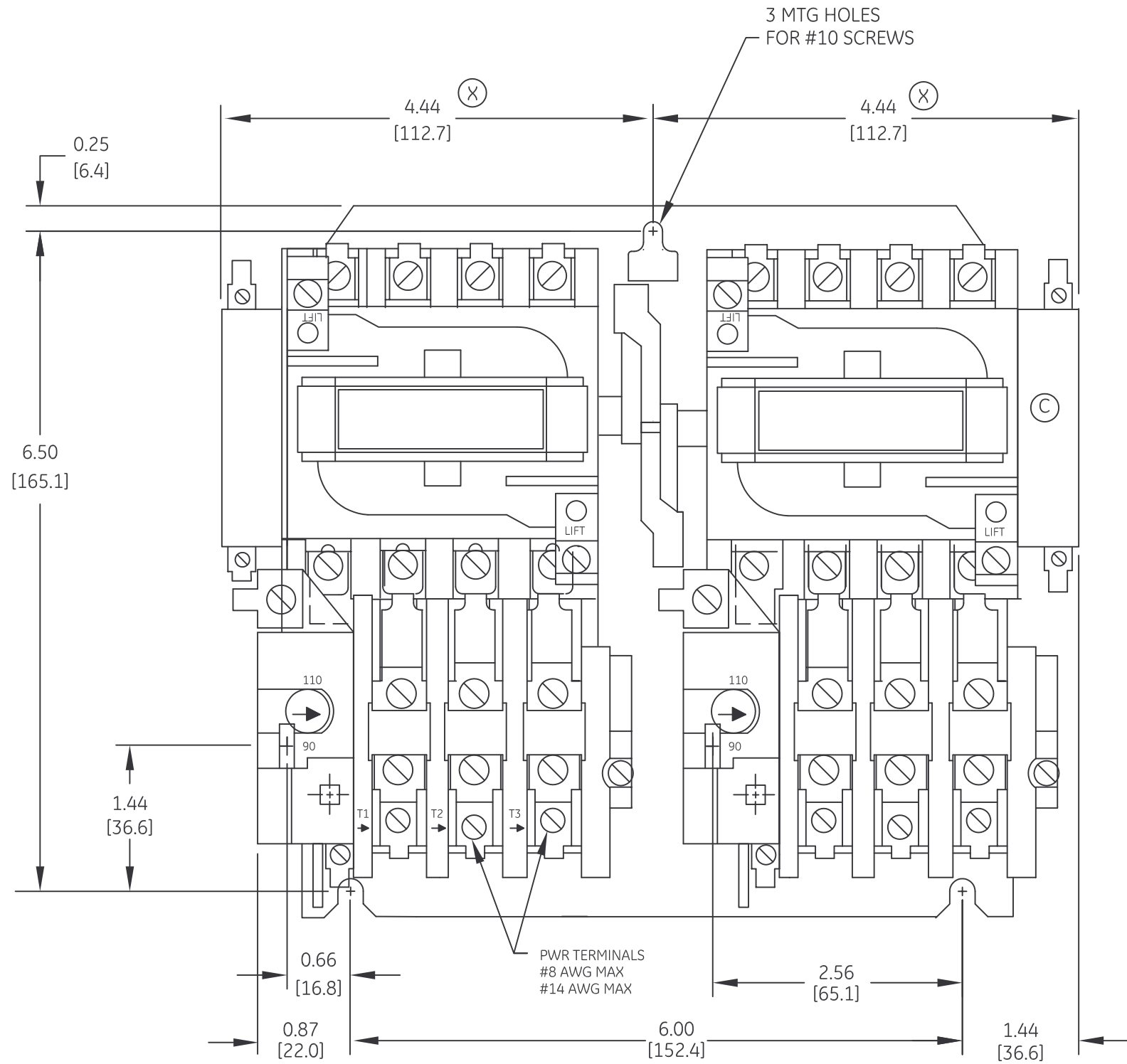
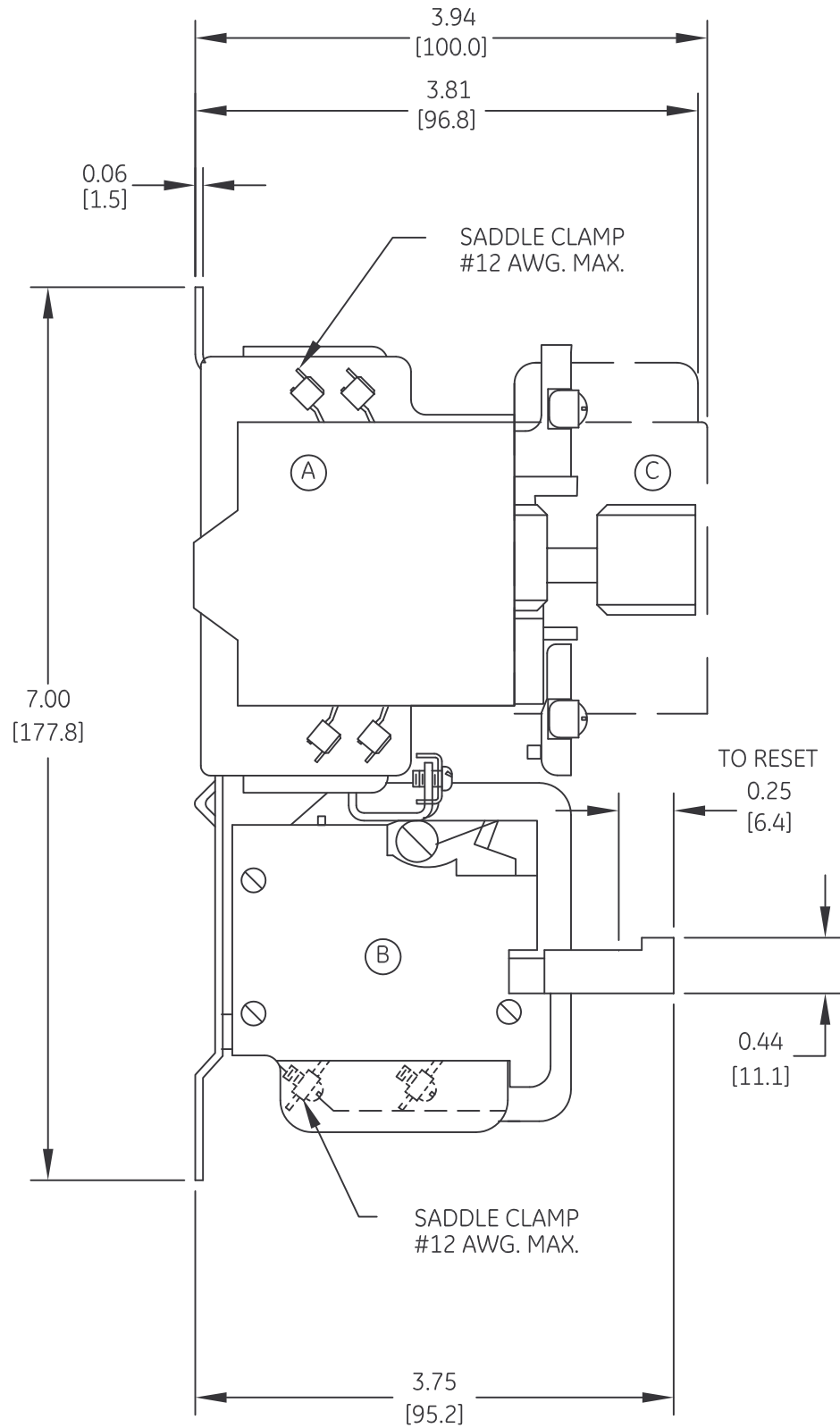


DUAL DIMENSIONS INCHES (ESTIMATING ONLY)  
[MILLIMETERS]



- (A) -AUXILIARY CONTACT (IF USED)
- (B) -BLOCK STYLE OVERLOAD RELAY
- (C) -EXTRA AUX CONTACT (IF USED)
- (X) -ADD 3/8" FOR ELECTRICAL CLEARANCE



OUTLINE  
2 SPEED - 2 WINDING SIZE 0 & 1

AN #	THIRD ANGLE PROJECTION	SHEET #	DWG NO.	DATE	REV
09-9112		1 OF 1	55-529209	08/24/2009	2