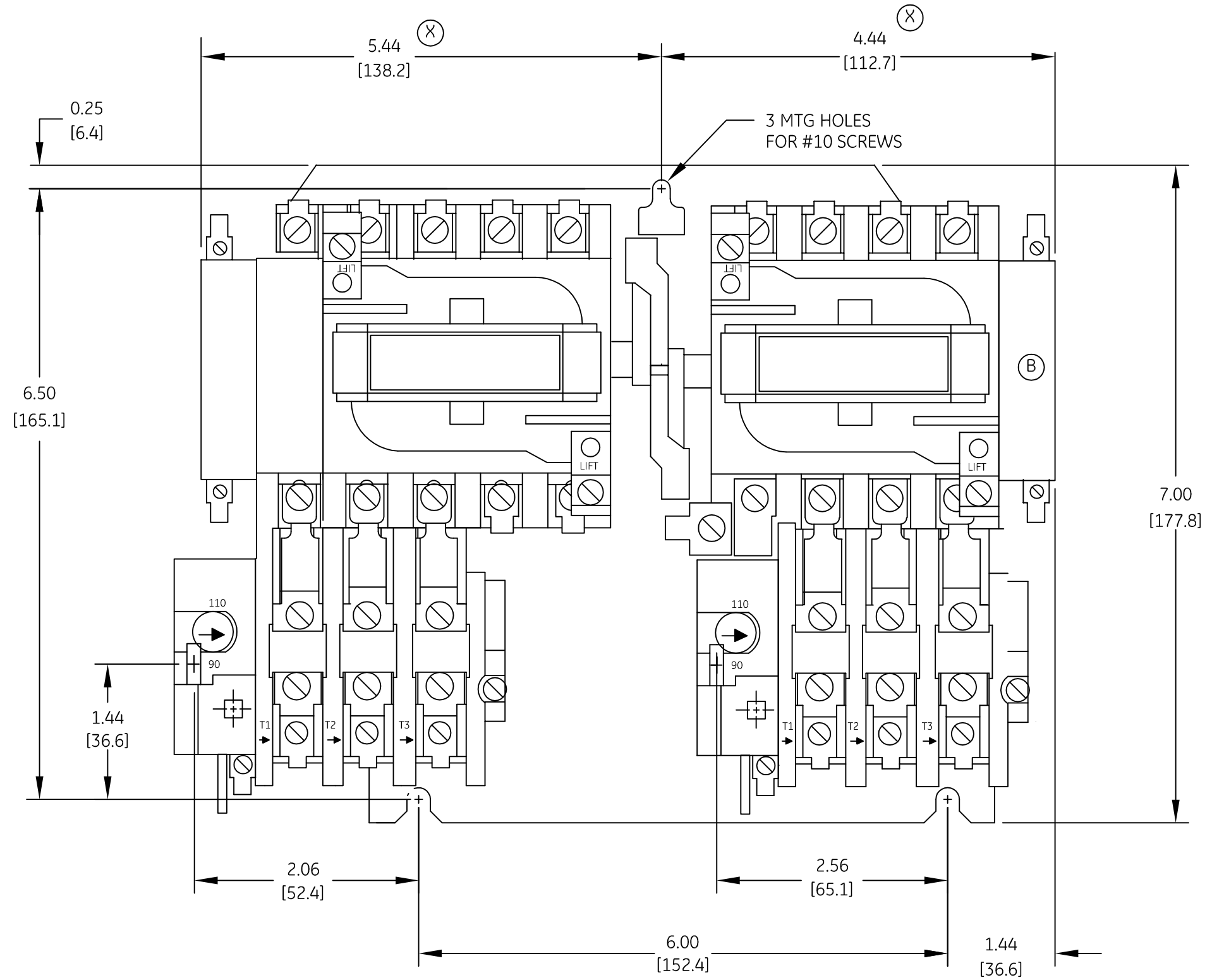
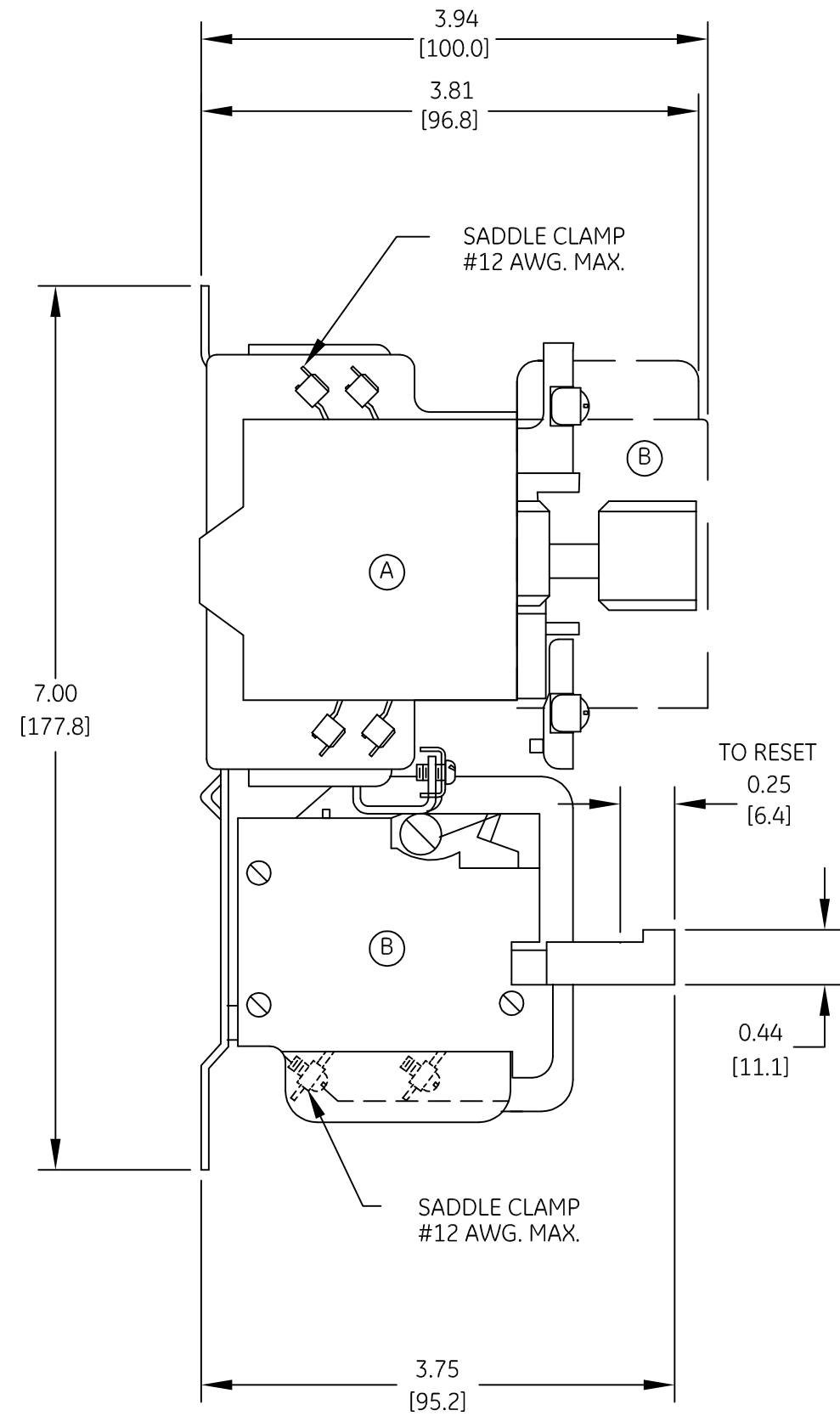


DUAL DIMENSIONS INCHES (ESTIMATING ONLY)
[MILLIMETERS]



- (A) -AUXILIARY CONTACT (IF USED)
- (B) -EXTRA AUX CONTACT (IF USED)
- (X) -ADD 3/8" FOR ELECTRICAL CLEARANCE



imagination at work

OUTLINE
2 SPEED - 1 WINDING SIZE 0 & 1

AN #	THIRD ANGLE PROJECTION	SHEET #	DWG NO.	DATE	REV
09-9112		1 OF 1	55-529227	08/24/2009	2