

-NOMENCLATURE-
 1M & 2M - CONTACTORS
 1OL, 2OL - THERMAL OVERLOAD RELAYS.
 A - ACCELERATING RELAY.
 * - REMOTE DEVICES
 FU-FUSE
 X-INDICATES CONTACT CLOSED
 ALTERNATIVE LEGENDS FOR FAST AND SLOW
 ARE HIGH AND LOW.

NOTE: ADDITIONAL OVER-CURRENT PROTECTION
 MAY BE REQUIRED. REFER TO THE
 NATIONAL ELECTRICAL CODE OR LOCAL
 ELECTRICAL CODE AS REQUIRED.

USE 75°C COPPER
 CONDUCTORS ONLY, FOR
 FIELD WIRING. TORQUE
 LINE AND LOAD TERMINALS
 AS MARKED OR AS SHOWN
 AT RIGHT:

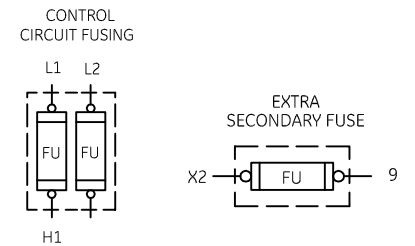
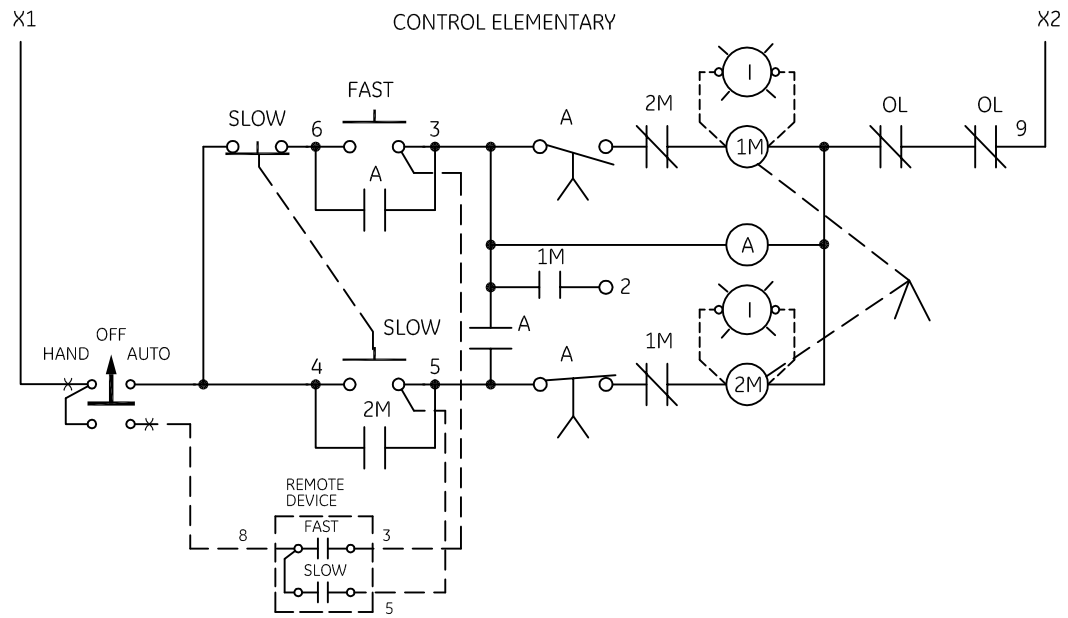
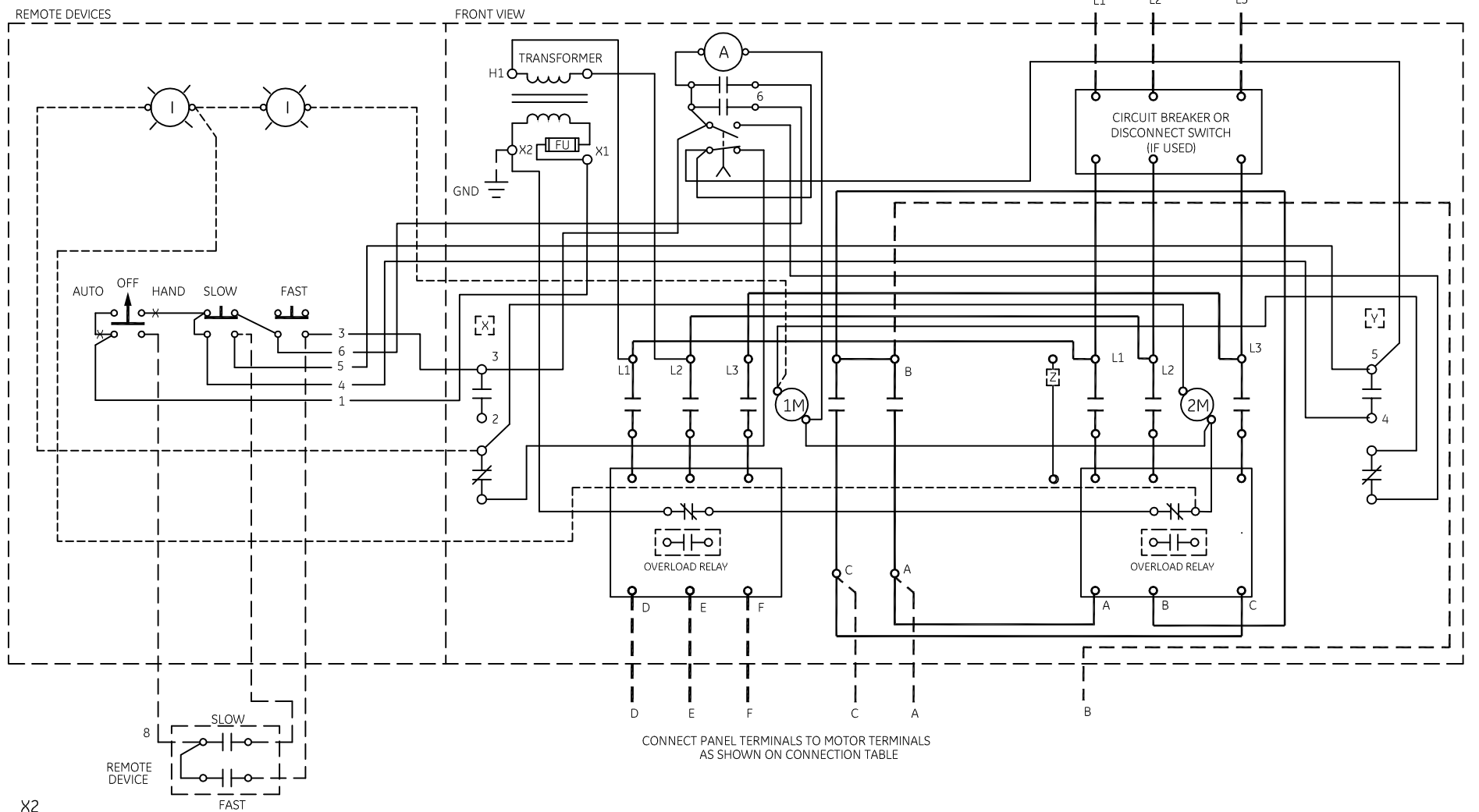
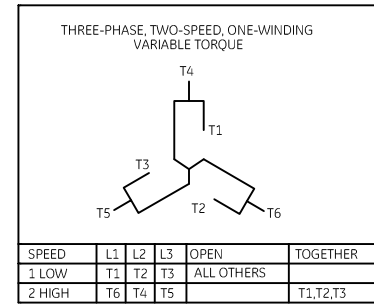
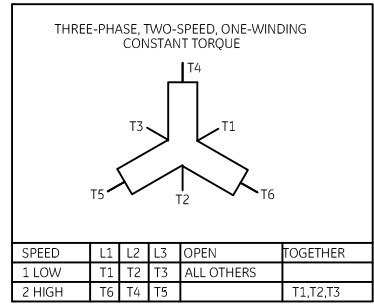
| | | |
|-------|-----------|----------|
| CR306 | 20 LB-IN | 20 LB-IN |
| CR307 | AS MARKED | 20 LB-IN |
| CR308 | 35 LB-IN | 20 LB-IN |
| CR389 | AS MARKED | 20 LB-IN |

GROUND KIT

| | |
|------------------|---------------|
| 1/2-IN CONDUIT | 55-213403G001 |
| 3/4-IN CONDUIT | 55-213403G002 |
| 1-IN CONDUIT | 55-213403G003 |
| 1 1/4-IN CONDUIT | 55-213403G004 |
| 1 1/2-IN CONDUIT | 55-213403G005 |
| 2-IN CONDUIT | 55-213403G006 |
| 2 1/2-IN CONDUIT | 55-213403G007 |
| 3-IN CONDUIT | 55-213403G008 |

FOR EXTRA AUXILIARY CONTACTS A MAXIMUM
 OF 3 CONTACTS MAY BE ADDED AT POSITIONS
 X, Y & Z.

FACTORY SUPPLIED PILOT DEVICES
 ARE WIRED FOR CONSTANT OR VARIABLE
 TORQUE AS SHOWN. FOR CONSTANT HP
 MOTORS, CONSULT FACTORY FOR INSTRUCTIONS.



imagination at work

WIRING DIAGRAM
 2 SPEED - 1 WINDING SIZE 0 & 1

| | | | | | |
|---------|------------------------|---------|-----------|------------|-----|
| AN # | THIRD ANGLE PROJECTION | SHEET # | DWG NO. | DATE | REV |
| 09-9115 | | 1 OF 1 | 55-529990 | 09/08/2009 | 4 |