

-NOMENCLATURE-  
 FLS-FORWARD LIMIT SWITCH  
 RLS-REVERSE LIMIT SWITCH  
 F&R-LINE CONTACTORS MECHANICALLY  
 AND ELECTRICALLY INTERLOCKED  
 OL-THERMAL OVERLOAD RELAY.

FOR SEPARATE CONTROL SOURCE-REMOVE WIRES "A" & "D"  
 AND CONNECT SEPARATE CONTROL SOURCE TO 9 ON OL  
 AND TO 1 ON PILOT DEVICE. WIRES "A" & "D" ARE  
 OMITTED AT FACTORY ON ALL CONTROLLERS WITH A  
 COIL VOLTAGE OF 120V OR LESS.

WIRES B AND C HAVE BEEN OMITTED AT  
 FACTORY. IF LIMIT SWITCHES ARE NOT  
 USED, WIRES B AND C MUST BE ADDED.

USE 75°C COPPER CONDUCTORS ONLY, FOR FIELD WIRING. TORQUE LINE AND LOAD TERMINALS AS MARKED OR AS SHOWN AT RIGHT:		LINE	LOAD
	CR306	20 LB-IN	20 LB-IN
	CR307	AS MARKED	20 LB-IN
	CR308	35 LB-IN	20 LB-IN
	CR389	AS MARKED	20 LB-IN

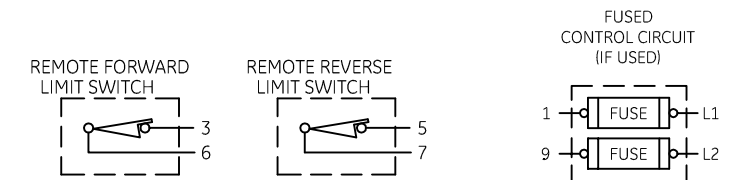
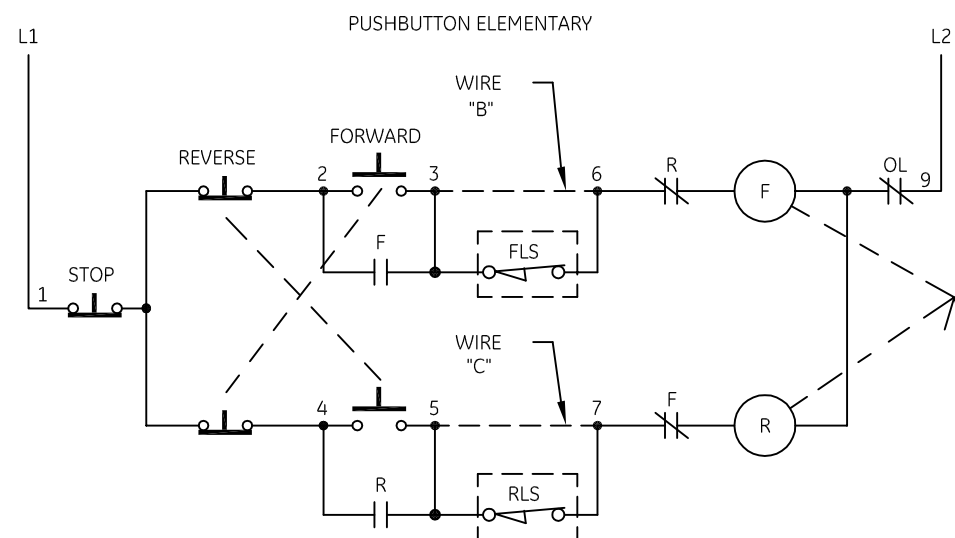
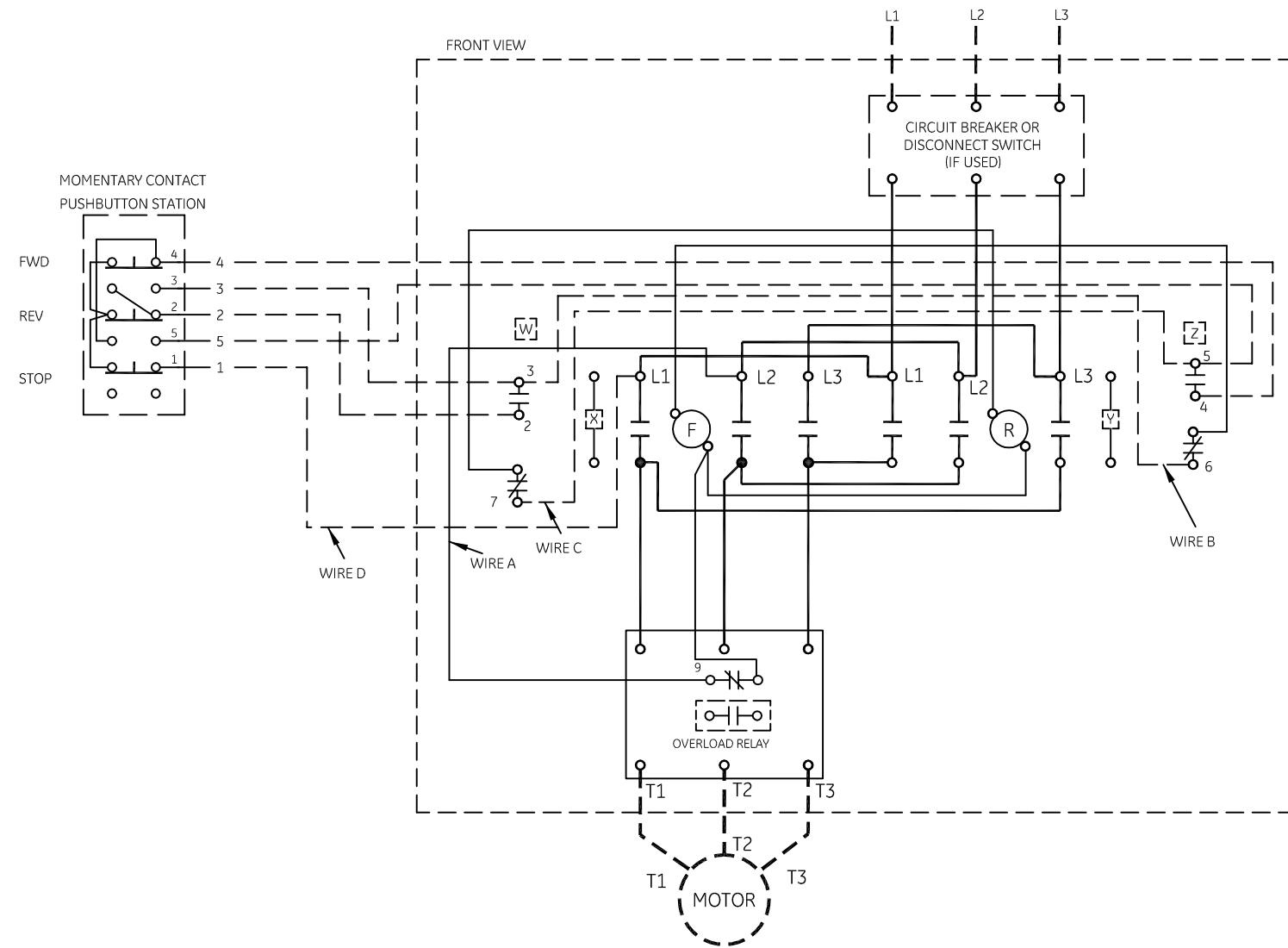
ALTERNATE MARKINGS FOR FORWARD AND  
 REVERSE ARE OPEN AND CLOSE, AND  
 UP AND DOWN.

NOTE: ADDITIONAL OVER-CURRENT PROTECTION  
 MAY BE REQUIRED. REFER TO THE  
 NATIONAL ELECTRICAL CODE OR LOCAL  
 ELECTRICAL CODE AS REQUIRED.

GROUND KIT

1/2-IN CONDUIT	55-213403G001
3/4-IN CONDUIT	55-213403G002
1-IN CONDUIT	55-213403G003
1 1/4-IN CONDUIT	55-213403G004
1 1/2-IN CONDUIT	55-213403G005
2-IN CONDUIT	55-213403G006
2 1/2-IN CONDUIT	55-213403G007
3-IN CONDUIT	55-213403G008

FOR EXTRA AUXILIARY CONTACTS A MAXIMUM  
 OF 4 CONTACTS MAY BE ADDED AT POSITIONS  
 W,X,Y & Z.



imagination at work

WIRING DIAGRAM  
 FVR SIZE 00, 0 & 1

AN #	THIRD ANGLE PROJECTION	SHEET #	DWG NO.	DATE	REV
09-9107		1 OF 1	55-530103	07/29/2009	5