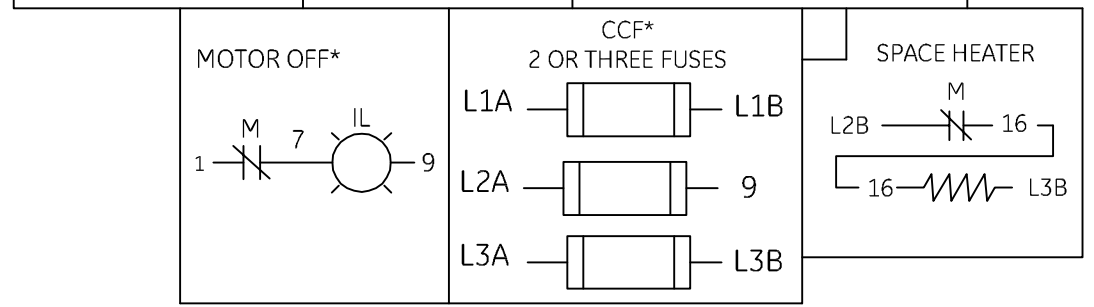


SELECTOR SWITCH

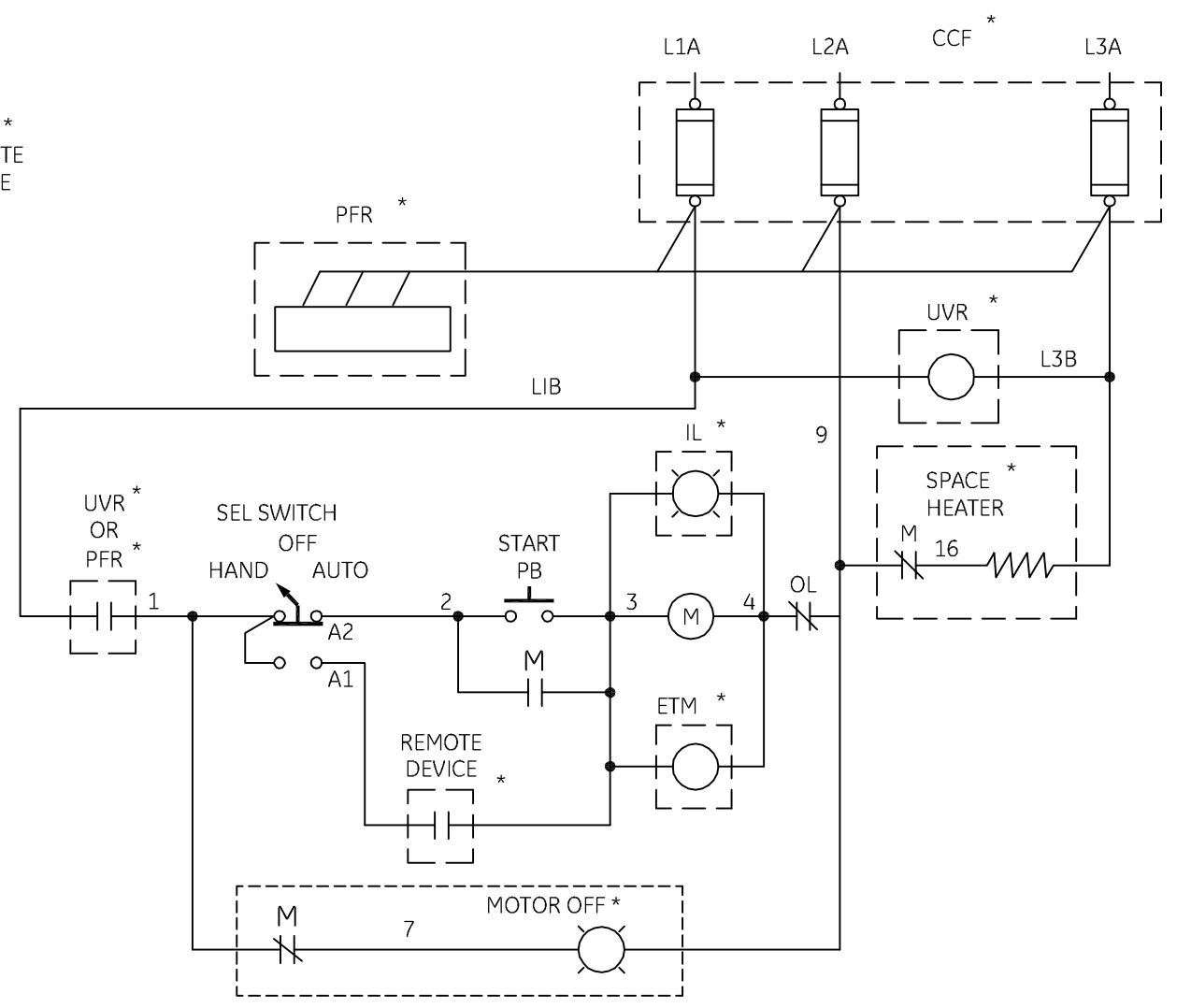
CONTACT	POSITION		
	AUTO	OFF	HAND
A1	X		
A2			X

X-INDICATES CONTACT CLOSED



- NOMENCLATURE**
- CCF CONTROL CIRCUIT FUSING
 - PFU POWER FUSES
 - IL INDICATING LIGHT
 - M MOTOR CONTACTOR
 - OL THERMAL OVERLOAD RELAY
 - PB PUSHBUTTON
 - PFR PHASE FAILURE RELAY
 - UVR UNDERVOLTAGE RELAY
 - * IF USED
 - CT CURRENT TRANSFORMER

NOTE: ADDITIONAL OVER-CURRENT PROTECTION MAY BE REQUIRED. REFER TO THE NATIONAL ELECTRICAL CODE OR LOCAL ELECTRICAL CODE AS REQUIRED.



USE 75 C CONDUCTORS ONLY FOR FIELD WIRING. TORQUE LINE AND LOAD TERMINALS AS MARKED OR AS SHOWN IN TABLE BELOW.

SIZE	LINE	LOAD
	FUSIBLE DISCONNECT SWITCHES	CR305 CR306
5	AS MARKED	300 LB-IN
6	AS MARKED	375 LB-IN

NOTE: SIZE 6 STARTER CT'S ARE GROUNDED.

FOR SEPARATE CONTROL- WIRES "1" AND "9" ARE NOT FURNISHED. CONNECT SEPARATE CONTROL SOURCE TO OL AND UVR (IF USED), PFR (IF USED), OR SELECTOR SWITCH

AN #	THIRD ANGLE PROJECTION	SHEET #
09-9121		1 OF 1

GE imagination at work

WIRING DIAGRAM
PUMP PANEL (CR340, 341)

DWG NO.	DATE	REV
55-530140	10/07/2009	7