

USE 75°C COPPER CONDUCTORS ONLY, FOR FIELD WIRING. TORQUE LINE AND LOAD TERMINALS AS SHOWN AT RIGHT:

TERMINAL TIGHTENING TORQUE (LB-IN)

SIZE	LOAD SIDE		LINE SIDE		
	THERMAL OL	ELECTRONIC OL	CR309	CR310,390	CR311
2	50	20	50	AS MARKED	50
3	150	200	150	AS MARKED	50
4	200	200	200	AS MARKED	275

FOR SEPARATE CONTROL SOURCE - OMIT WIRE "A" AND CONNECT SEPARATE CONTROL SOURCE TO N/C CONTACT ON OL AND TO 1 ON PILOT DEVICE. WIRE "A" IS OMITTED AT FACTORY ON ALL STARTERS WITH A COIL VOLTAGE OF 120V OR LESS.

GROUND KIT

1/2-IN CONDUIT	55-213403G001
3/4-IN CONDUIT	55-213403G002
1-IN CONDUIT	55-213403G003
1 1/4-IN CONDUIT	55-213403G004
1 1/2-IN CONDUIT	55-213403G005
2-IN CONDUIT	55-213403G006
2 1/2-IN CONDUIT	55-213403G007
3-IN CONDUIT	55-213403G008

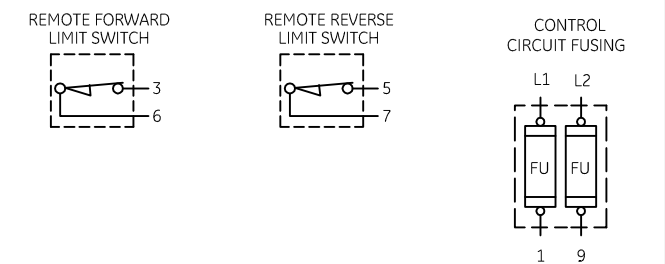
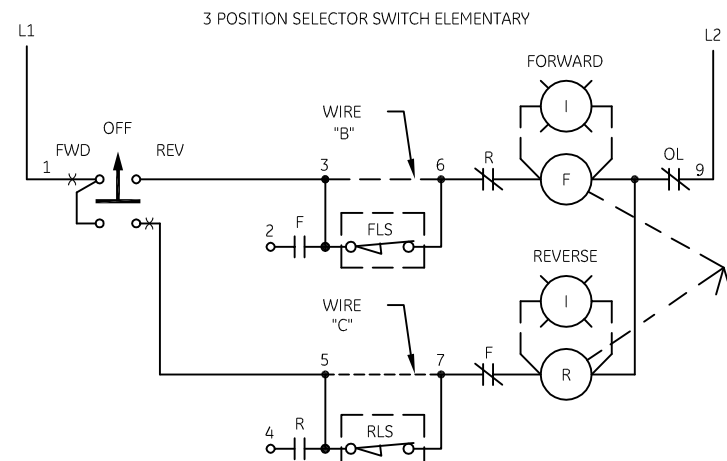
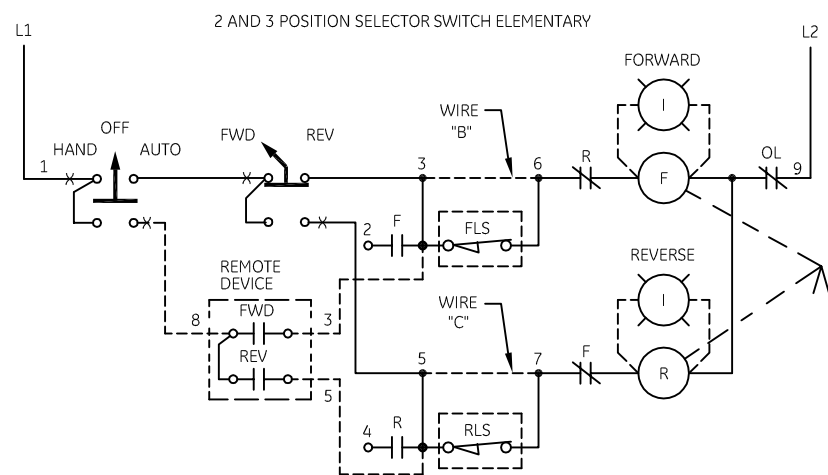
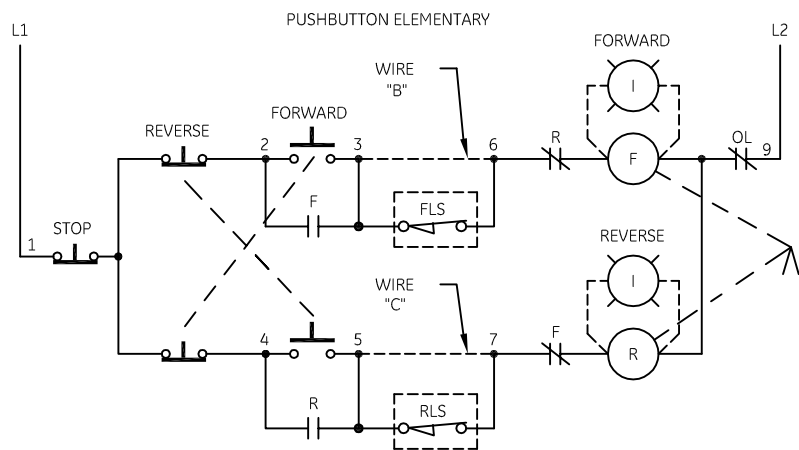
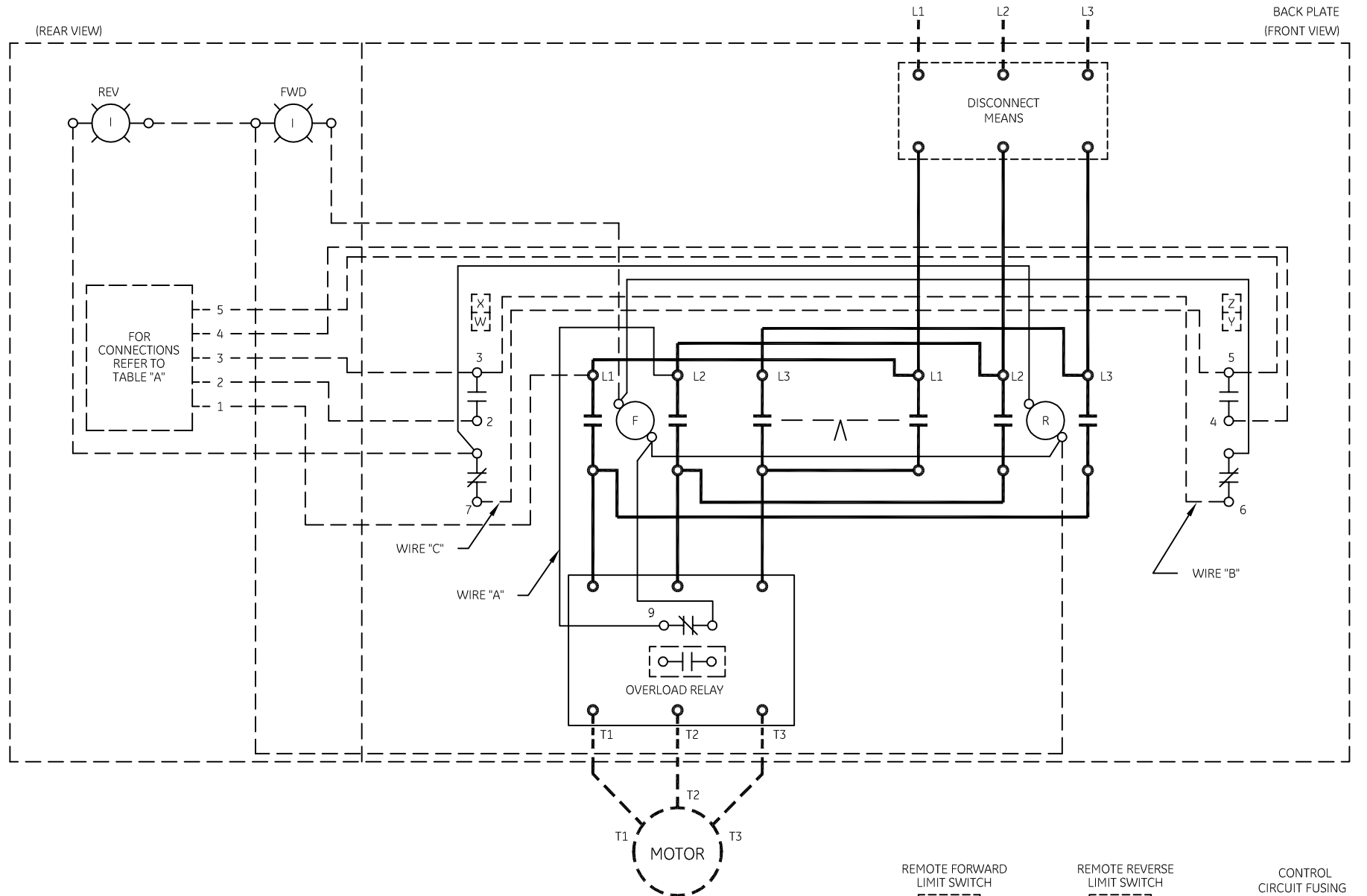
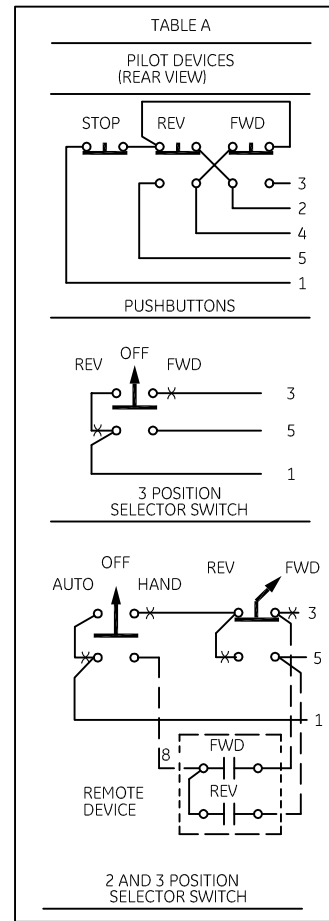
NOTE: ADDITIONAL OVER-CURRENT PROTECTION MAY BE REQUIRED. REFER TO THE NATIONAL ELECTRICAL CODE OR LOCAL ELECTRICAL CODE AS REQUIRED.

FOR EXTRA AUXILIARY CONTACTS- A MAXIMUM OF 4 CONTACTS MAY BE ADDED AT POSITIONS W,X,Y,& Z.

FOR REVERSER WITHOUT DISCONNECT MEANS-WIRE LINE DIRECT TO L1, L2 AND L3 ON REVERSER.

IF LIMIT SWITCHES ARE NOT USED-ADD WIRES "B" AND "C" AS SHOWN IN ELEMENTARY

-NOMENCLATURE-
 FLS-FORWARD LIMIT SWITCH
 RLS-REVERSE LIMIT SWITCH
 F-FORWARD CONTACTOR
 R-REVERSE CONTACTOR
 FWD-FORWARD
 REV-REVERSE
 OL-OVERLOAD RELAY
 I-INDICATING LIGHT
 FU-FUSE
 X-INDICATES CONTACT CLOSED



AN #	THIRD ANGLE PROJECTION	SHEET #
09-9107		1 OF 1

imagination at work

WIRING DIAGRAM
FVR SIZE 2, 3 & 4

DWG NO.	DATE	REV
55-530157	07/30/2009	5