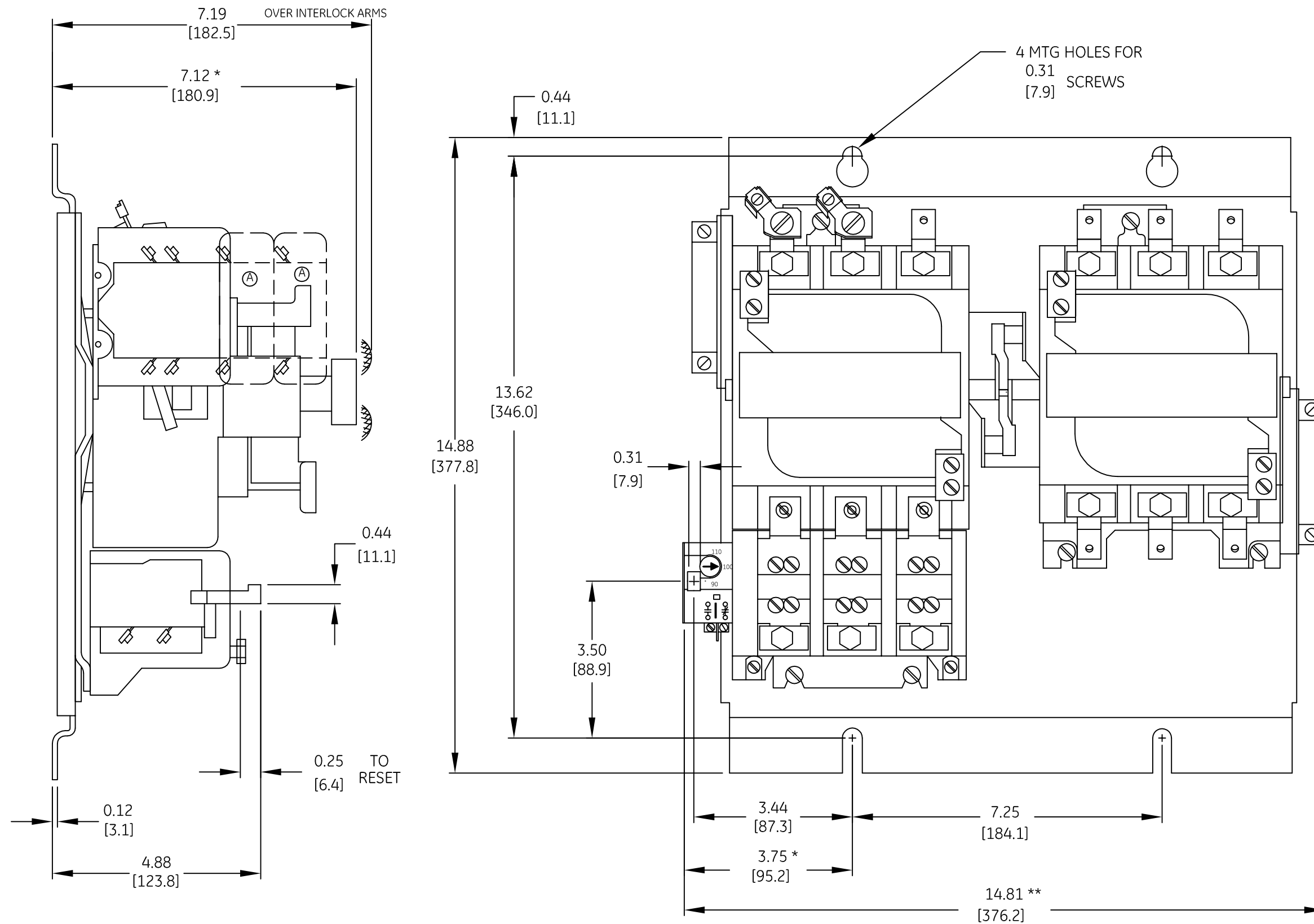

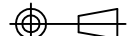


DUAL DIMENSIONS INCHES [MILLIMETERS] (ESTIMATING ONLY)



- * -ADD 0.38 [9.7] FOR ELECTRICAL CLEARANCE.
- * * -ADD 0.38 [9.7] EACH SIDE FOR ELECTRICAL CLEARANCE.
- (A) -EXTRA AUX. CONTACT (IF USED).

 imagination at work
OUTLINE
CR309E & F REVERSER OPEN
 DWG NO. 55-530175 DATE 07/30/2009 REV 2

AN #	THIRD ANGLE PROJECTION	SHEET #
09-9107		1 OF 1