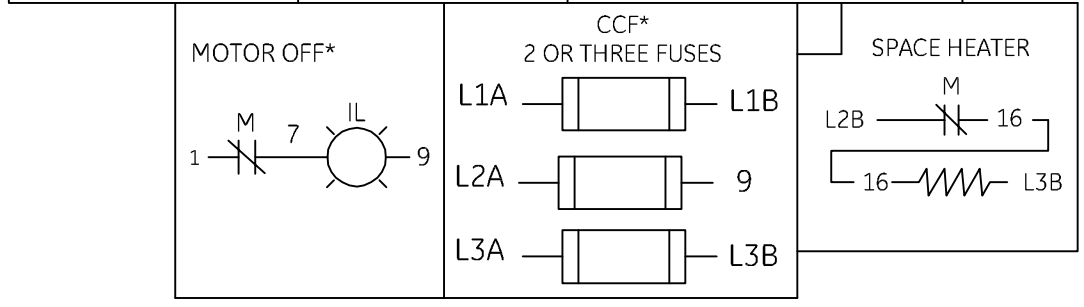


SELECTOR SWITCH

CONTACT	POSITION		
	AUTO	OFF	HAND
A1	X		
A2			X

X-INDICATES CONTACT CLOSED



- NOMENCLATURE**
- CCF CONTROL CIRCUIT FUSING
  - PFU POWER FUSES
  - IL INDICATING LIGHT
  - M MOTOR CONTACTOR
  - OL THERMAL OVERLOAD RELAY
  - PB PUSHBUTTON
  - PFR PHASE FAILURE RELAY
  - UVR UNDERVOLTAGE RELAY
  - \* IF USED
  - CT CURRENT TRANSFORMER

NOTE: ADDITIONAL OVER-CURRENT PROTECTION MAY BE REQUIRED. REFER TO THE NATIONAL ELECTRICAL CODE OR LOCAL ELECTRICAL CODE AS REQUIRED.

USE 75 C CONDUCTORS ONLY FOR FIELD WIRING. TORQUE LINE AND LOAD TERMINALS AS MARKED OR AS SHOWN IN TABLE BELOW.

SIZE	CR340		CR341	
	LINE	LOAD	LINE	LOAD
1	AS MARKED	20 LB-IN	35 LB-IN	20 LB-IN
2	AS MARKED	50 LB-IN	50 LB-IN	50 LB-IN
3	AS MARKED	150 LB-IN	50 LB-IN	150 LB-IN
4	AS MARKED	200 LB-IN	275 LB-IN	200 LB-IN
5	AS MARKED	300 LB-IN	AS MARKED	300 LB-IN

NOTE: SIZE 6 STARTER CT'S ARE GROUNDED.

FOR SEPARATE CONTROL- WIRES "1" AND "9" ARE NOT FURNISHED. CONNECT SEPARATE CONTROL SOURCE TO OL AND UVR (IF USED), PFR (IF USED), OR SELECTOR SWITCH

**GE** imagination at work

WIRING DIAGRAM  
PUMP PANEL (CR340, 341)

AN #	THIRD ANGLE PROJECTION	SHEET #	DWG NO.	DATE	REV
09-9121		1 OF 1	55-530510	10/05/2009	6