

NOTE: ADDITIONAL OVER-CURRENT PROTECTION MAY BE REQUIRED. REFER TO THE NATIONAL ELECTRICAL CODE OR LOCAL ELECTRICAL CODE AS REQUIRED.

FOR EXTRA AUXILIARY CONTACTS- A MAXIMUM OF 4 CONTACTS MAY BE ADDED AT POSITIONS W,X,Y,& Z.

FOR CONTROLLER WITHOUT DISCONNECT MEANS-WIRE LINE DIRECT TO L1, L2 AND L3 ON CONTROLLER.

FOR SEPARATE CONTROL SOURCE - OMIT WIRE "A" AND CONNECT SEPARATE CONTROL SOURCE TO N/C CONTACT ON OL AND TO 1 ON PILOT DEVICE. WIRE "A" IS OMITTED AT FACTORY ON ALL STARTERS WITH A COIL VOLTAGE OF 120V OR LESS.

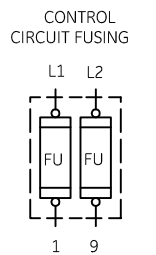
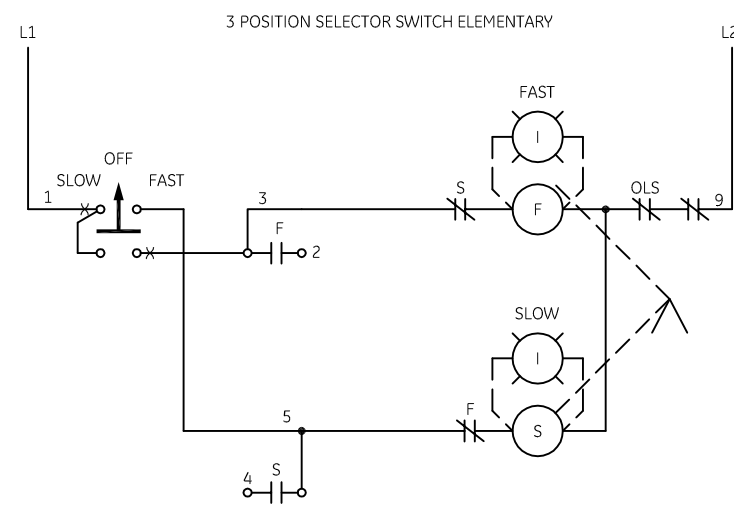
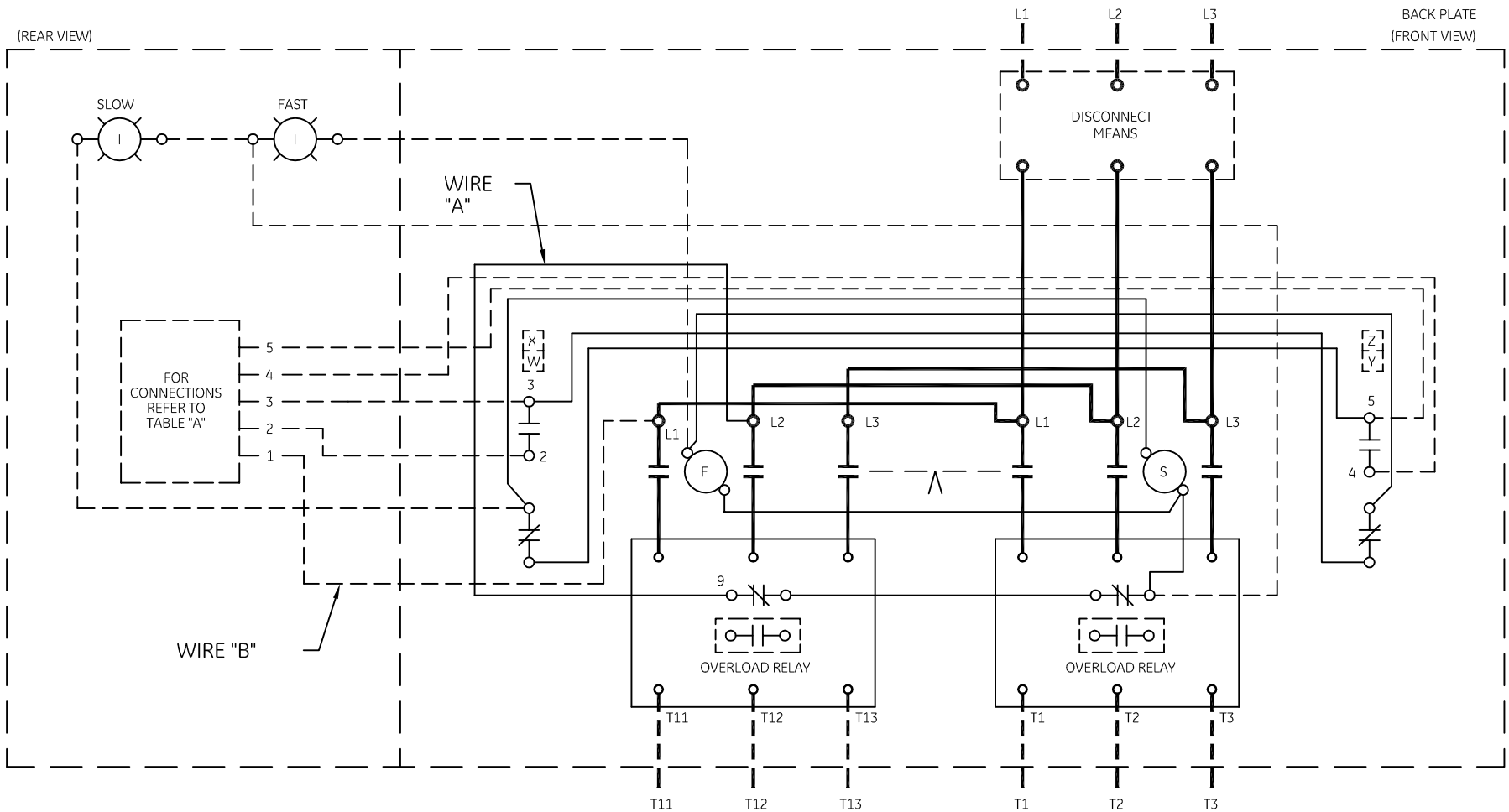
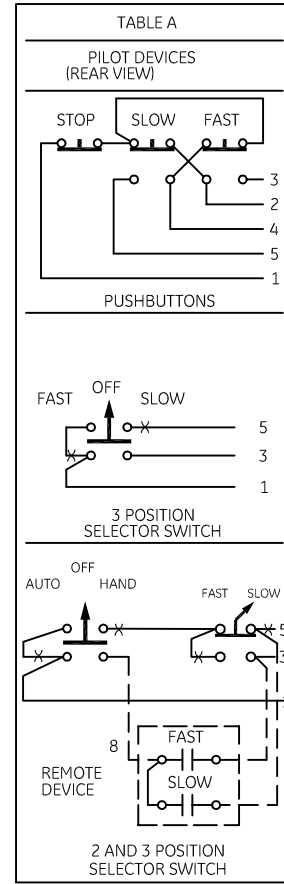
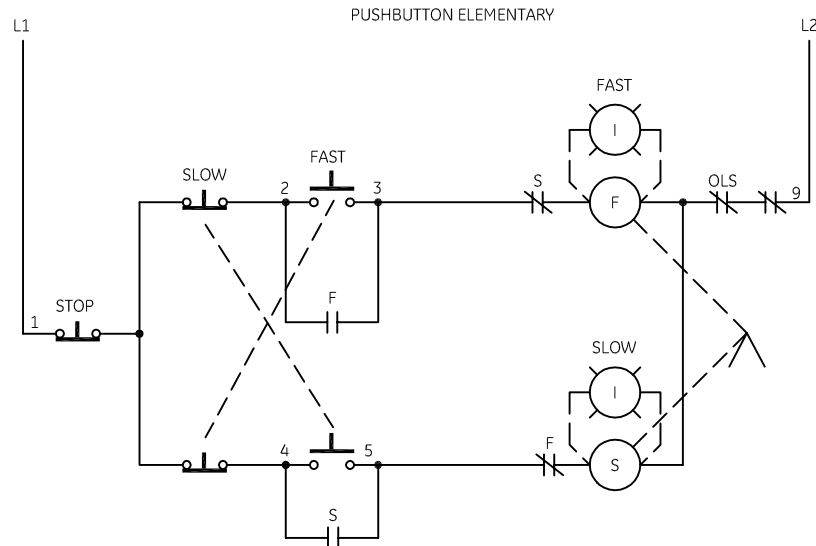
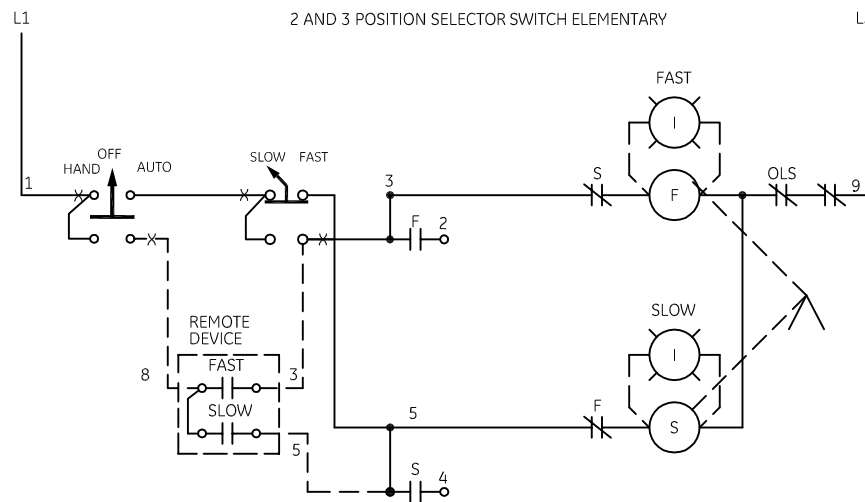
-NOMENCLATURE-  
 F-FAST CONTACTOR  
 S-SLOW CONTACTOR  
 OL-OVERLOAD RELAY  
 I-INDICATING LIGHT  
 FU-FUSE  
 X-INDICATES CONTACT CLOSED

ALTERNATIVE LEGENDS FOR FAST AND SLOW ARE HIGH AND LOW.

GROUND KIT	
1/2-IN CONDUIT	55-213403G001
3/4-IN CONDUIT	55-213403G002
1-IN CONDUIT	55-213403G003
1 1/4-IN CONDUIT	55-213403G004
1 1/2-IN CONDUIT	55-213403G005
2-IN CONDUIT	55-213403G006
2 1/2-IN CONDUIT	55-213403G007
3-IN CONDUIT	55-213403G008

USE 75°C COPPER CONDUCTORS ONLY, FOR FIELD WIRING. TORQUE LINE AND LOAD TERMINALS AS SHOWN AT RIGHT:

SIZE	LOAD SIDE		LINE SIDE		
	THERMAL OL	ELECTRONIC OL	CR309	CR310,390	CR311
2	50	20	50	AS MARKED	50
3	150	200	150	AS MARKED	50
4	200	200	200	AS MARKED	275



GE imagination at work

WIRING DIAGRAM  
 2 SPEED - 1 WINDING SIZE 2, 3 & 4

AN #	THIRD ANGLE PROJECTION	SHEET #
09-9115		1 OF 1

DWG NO.	DATE	REV
55-531575	09/08/2009	9