

-NOMENCLATURE-
 FLS-FORWARD LIMIT SWITCH
 RLS-REVERSE LIMIT SWITCH
 F-FORWARD LINE CONTACTOR
 R-REVERSE LINE CONTACTOR
 FWD-FORWARD
 REV-REVERSE
 I-INDICATING LIGHT
 FU-FUSE
 X-INDICATES CONTACT CLOSED

NOTE: REFER TO THE NATIONAL ELECTRICAL CODE.
 ADDITIONAL CONTROL CIRCUIT OVER-CURRENT PROTECTION MAY BE REQUIRED.

FOR EXTRA AUXILIARY CONTACTS- A MAXIMUM OF 4 CONTACTS MAY BE ADDED AT POSITIONS W,X,Y,&Z.

FOR REVERSER WITHOUT DISCONNECT MEANS-WIRE LINE DIRECT TO L1, L2 AND L3 ON REVERSER.

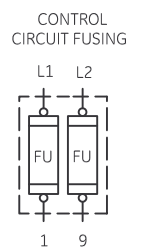
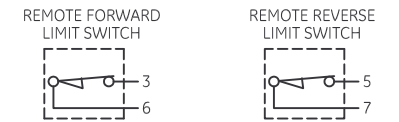
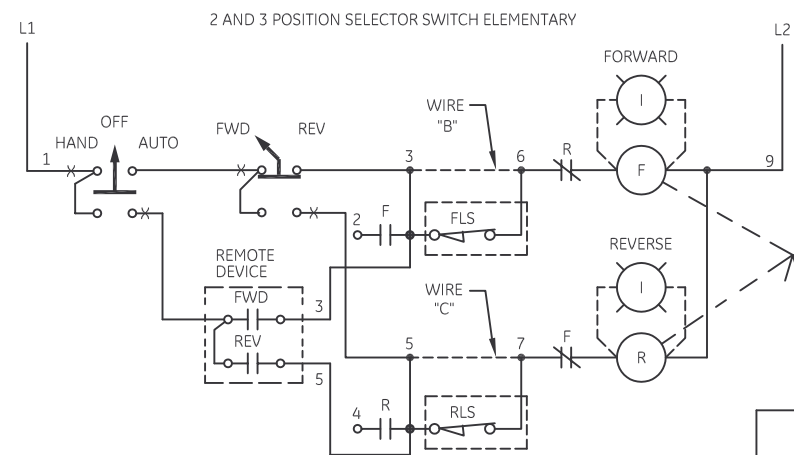
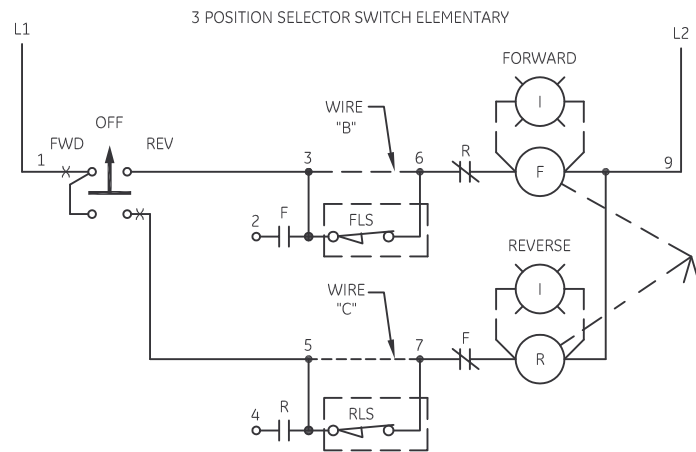
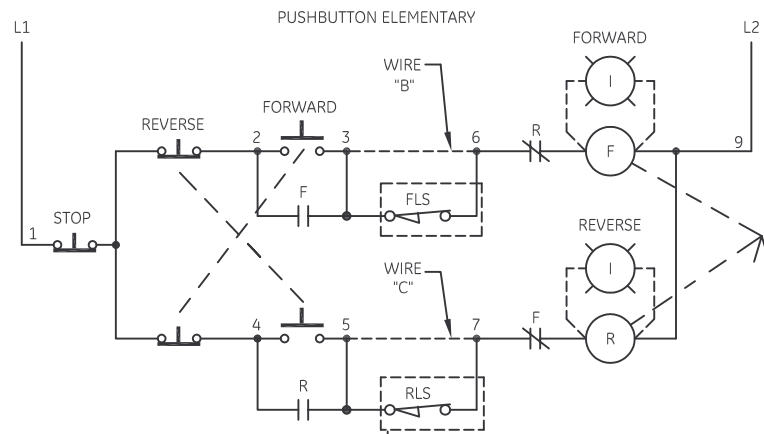
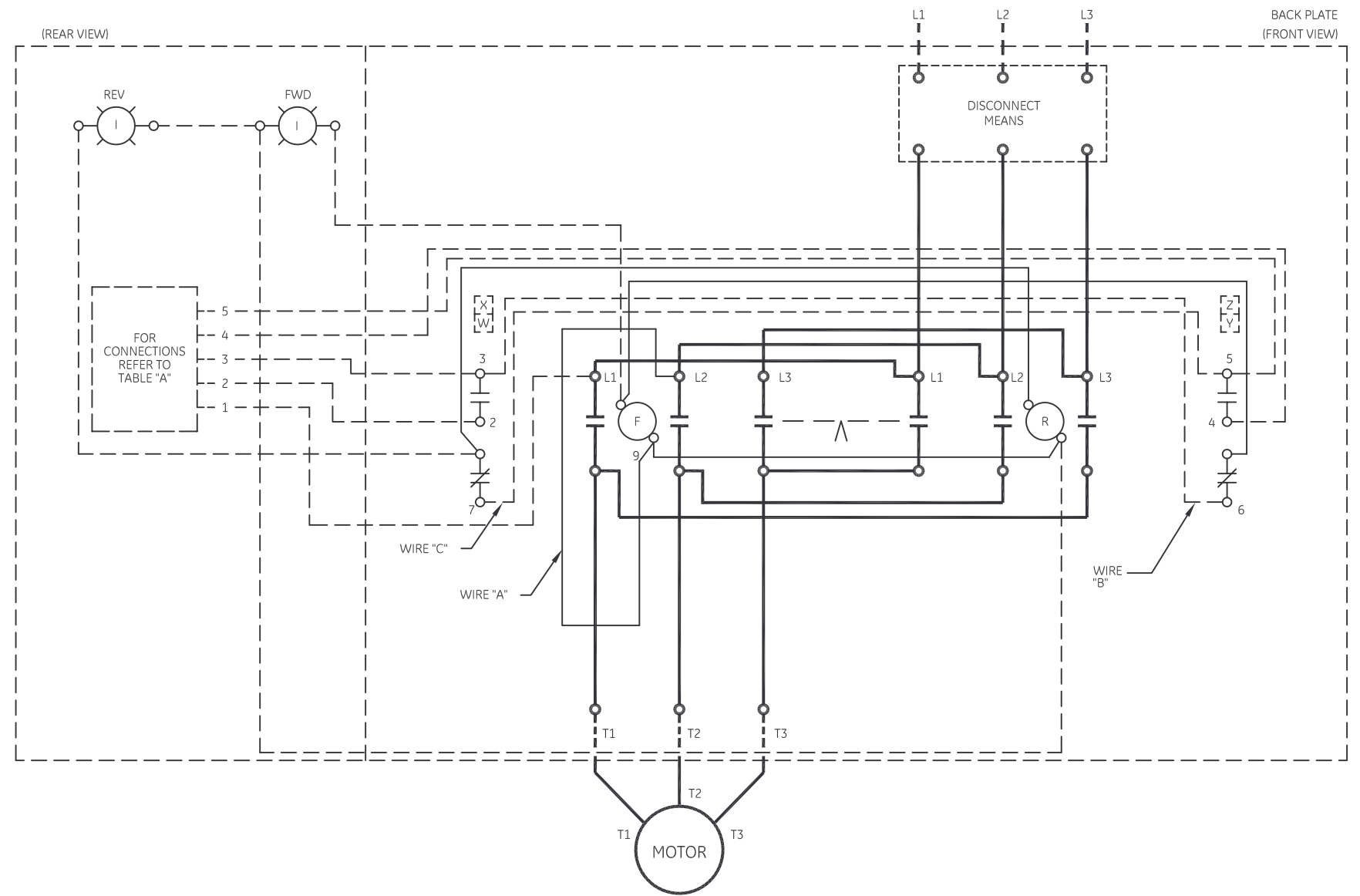
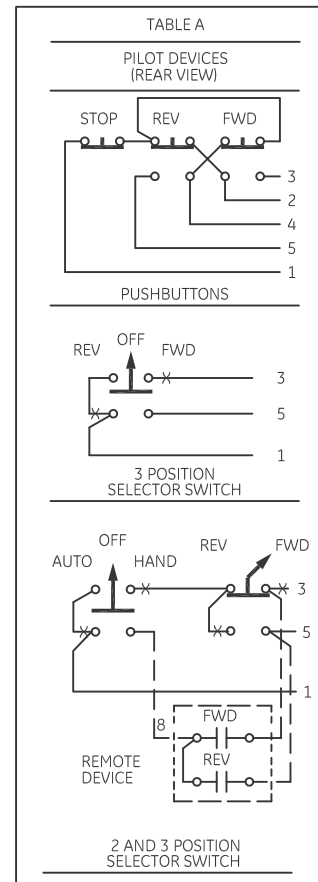
IF LIMIT SWITCHES ARE NOT USED- ADD WIRES "B" AND "C" AS SHOWN IN ELEMENTARY

FOR SEPARATE CONTROL SOURCE - REMOVE WIRE "A" AND CONNECT SEPARATE CONTROL SOURCE TO 9 ON F AND TO 1 ON PILOT DEVICE. WIRE "A" IS OMITTED AT FACTORY ON ALL REVERSERS WITH A COIL VOLTAGE OF 120V OR LESS.

| FOR CSA - GND KIT | |
|-------------------|---------------|
| 1/2-IN CONDUIT | 55-213403G001 |
| 3/4-IN CONDUIT | 55-213403G002 |
| 1-IN CONDUIT | 55-213403G003 |
| 1 1/4-IN CONDUIT | 55-213403G004 |
| 1 1/2-IN CONDUIT | 55-213403G005 |
| 2-IN CONDUIT | 55-213403G006 |
| 2 1/2-IN CONDUIT | 55-213403G007 |
| 3-IN CONDUIT | 55-213403G008 |

USE 75°C COPPER CONDUCTORS ONLY, FOR FIELD WIRING.

| TORQUE LINE & LOAD TERMINALS AS SHOWN AT RIGHT. | SIZE 2 | | SIZE 3 | | SIZE 4 | | SIZE 5 | |
|---|-----------|----------|-----------|-----------|-----------|-----------|-----------|-----------|
| | LINE | LOAD | LINE | LOAD | LINE | LOAD | LINE | LOAD |
| CR309 | 50 LB-IN | 50 LB-IN | 150 LB-IN | 150 LB-IN | 200 LB-IN | 200 LB-IN | 300 LB-IN | 300 LB-IN |
| CR310 | AS MARKED | 50 LB-IN | AS MARKED | 150 LB-IN | AS MARKED | 200 LB-IN | AS MARKED | 300 LB-IN |
| CR311 | 50 LB-IN | 50 LB-IN | 50 LB-IN | 150 LB-IN | 275 LB-IN | 200 LB-IN | AS MARKED | 300 LB-IN |
| CR390 | AS MARKED | 50 LB-IN | AS MARKED | 150 LB-IN | AS MARKED | 200 LB-IN | AS MARKED | 300 LB-IN |



GE imagination at work

WIRING DIAGRAM
 FVR SIZE 2, 3 & 4

| | | | | | |
|---------|------------------------|---------|-----------|------------|-----|
| AN # | THIRD ANGLE PROJECTION | SHEET # | DWG NO. | DATE | REV |
| 09-9112 | | 1 OF 1 | 55-531576 | 08/18/2009 | 7 |