

MOTOR CONNECTIONS	SPEED	L1	L2	L3	OPEN	TOGETHER
CONSTANT HP	SLOW FAST	T1 T6	T2 T4	T3 T5	T1,T2,T3	T4,T5,T6
CONSTANT TORQUE	SLOW FAST	T1 T6	T2 T4	T3 T5	T6,T4,T5	T1,T2,T3
VARIABLE TORQUE	SLOW FAST	T1 T6	T2 T4	T3 T5	T6,T4,T5	T1,T2,T3

CONNECTION TABLE	CONTROLLER TERMINALS					
	A	B	C	D	E	F
CONSTANT HP	T6	T4	T5	T1	T2	T3
CONSTANT TORQUE	T1	T2	T3	T6	T4	T5
VARIABLE TORQUE	T1	T2	T3	T6	T4	T5

-NOMENCLATURE-  
1M & 2M CONTACTORS  
MECHANICALLY AND ELECTRICALLY  
INTERLOCKED.  
OL-OVERLOAD RELAY.  
I-INDICATING LIGHT  
FU-FUSE  
X-INDICATES CONTACT CLOSED

ALTERNATE LEGENDS FOR FAST AND SLOW  
ARE HIGH AND LOW

	LINE	LOAD
USE 75°C, COPPER CON- DUCTORS ONLY, FOR FIELD WIRING. TORQUE LINE AND LOAD TERMINALS AS SHOWN AT RIGHT:	CR309 20 LB-IN CR310 AS MARKED CR311 35 LB-IN CR390 AS MARKED	20 LB-IN 20 LB-IN 20 LB-IN 20 LB-IN

NOTE: ADDITIONAL OVER-CURRENT PROTECTION  
MAY BE REQUIRED. REFER TO THE  
NATIONAL ELECTRICAL CODE OR LOCAL  
ELECTRICAL CODE AS REQUIRED.

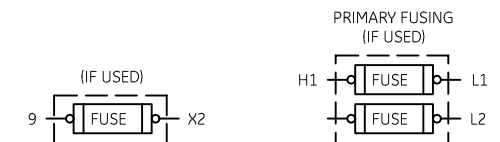
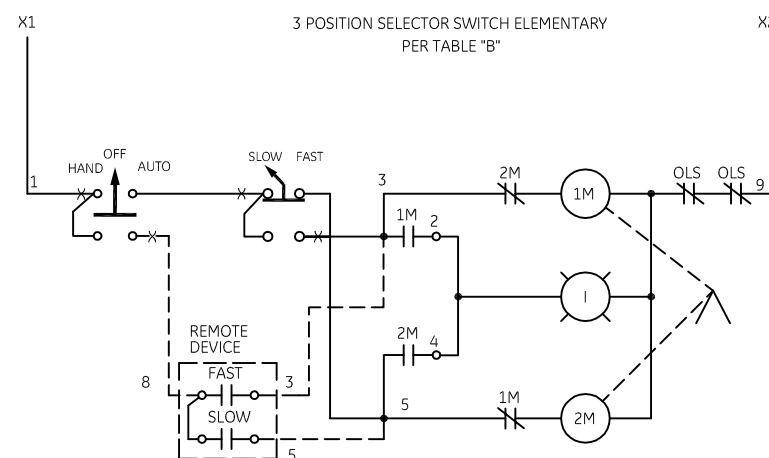
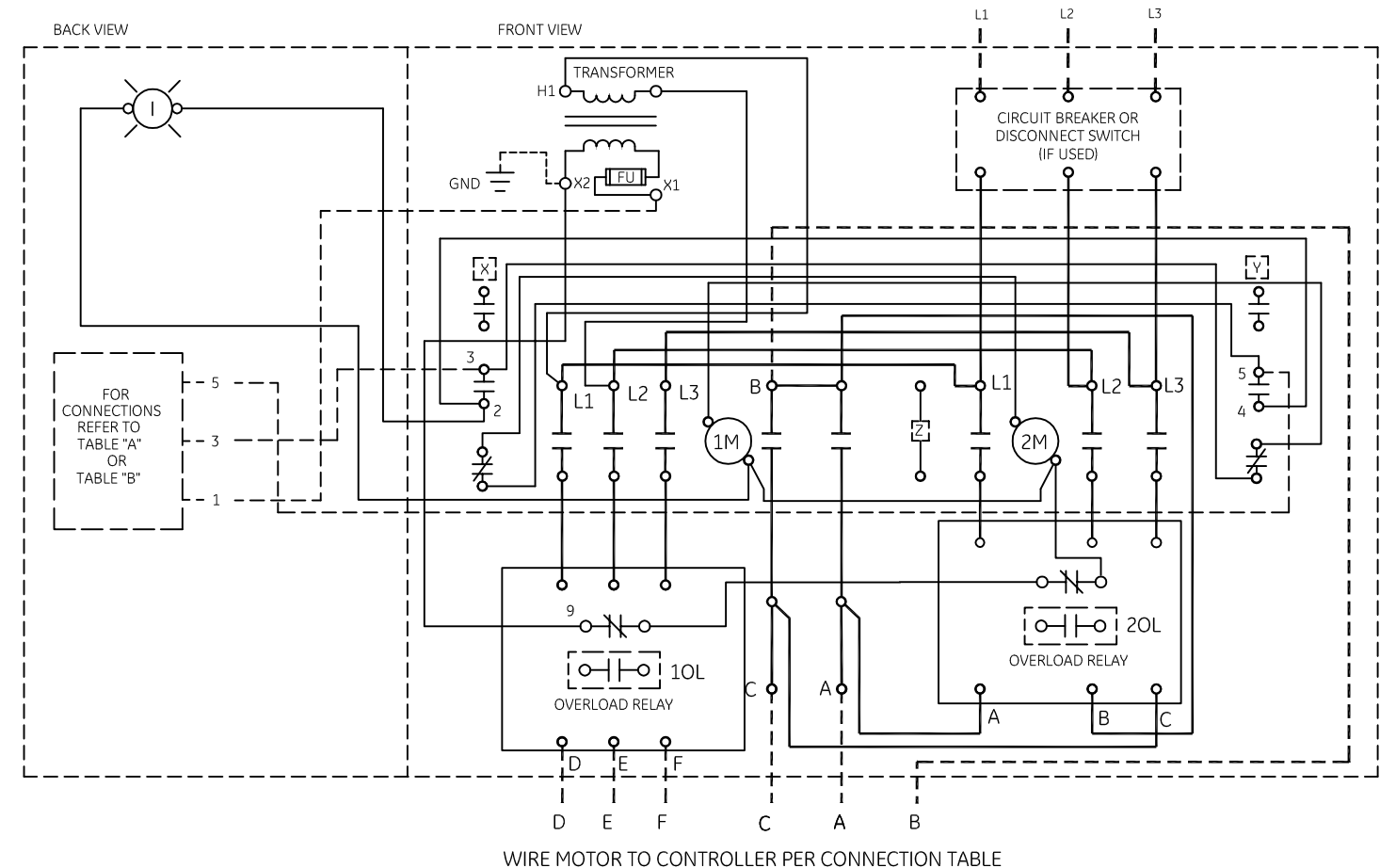
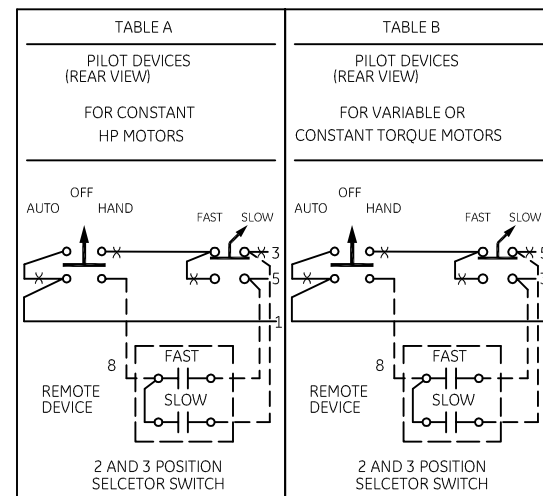
GROUND KIT

1/2-IN CONDUIT	55-213403G001
3/4-IN CONDUIT	55-213403G002
1-IN CONDUIT	55-213403G003
1 1/4-IN CONDUIT	55-213403G004
1 1/2-IN CONDUIT	55-213403G005
2-IN CONDUIT	55-213403G006
2 1/2-IN CONDUIT	55-213403G007
3-IN CONDUIT	55-213403G008

FACTORY SUPPLIED PILOT DEVICES ARE WIRED PER  
TABLE "B". FOR CONSTANT HP MOTORS INTERCHANGE  
WIRES 3 & 5 TO WIRE PER TABLE "A".

FOR CONTROLLER WITHOUT DISCONNECT MEANS-WIRE  
LINE DIRECT TO L1,L2 AND L3 ON CONTACTOR.

FOR EXTRA AUXILIARY CONTACTS A MAXIMUM  
OF 3 CONTACTS MAY BE ADDED AT POSITIONS  
X,Y & Z.



imagination at work

WIRING DIAGRAM  
2 SPEED - 1 WINDING SIZE 0 & 1

AN #	THIRD ANGLE PROJECTION	SHEET #	DWG NO.	DATE	REV
09-9115		1 OF 1	55-531695	09/08/2009	3