

-NOMENCLATURE-
 FLS-FORWARD LIMIT SWITCH
 RLS-REVERSE LIMIT SWITCH
 F&R-LINE CONTACTORS MECHANICALLY
 AND ELECTRICALLY INTERLOCKED
 OL-OVERLOAD RELAY.
 I-INDICATING LIGHT
 X-INDICATES CONTACT CLOSED

FOR 2 PHASE, 3 WIRE OPERATION-
 L2 IS COMMON LINE. CONNECT
 MOTOR T1 TO CONTROLLER T1, MOTOR
 T3 AND T4 TO CONTROLLER T2, AND
 MOTOR T2 TO CONTROLLER T3.
 2 PHASE FORMS HAVE SAME RATING
 AS 3 PHASE FORMS.

WIRES B AND C HAVE BEEN OMITTED AT
 FACTORY. IF LIMIT SWITCHES ARE NOT TO
 BE USED, WIRES B AND C MUST BE ADDED.

	LINE	LOAD
USE 75°C, COPPER CON-	CR309	20 LB-IN
DUCTORS ONLY, FOR FIELD	CR310	AS MARKED
WIRING, TORQUE LINE AND	CR311	35 LB-IN
LOAD TERMINALS AS	CR390	AS MARKED
SHOWN AT RIGHT:		20 LB-IN

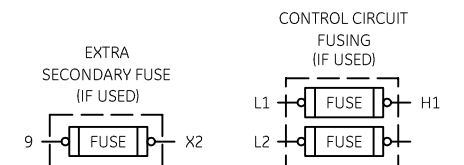
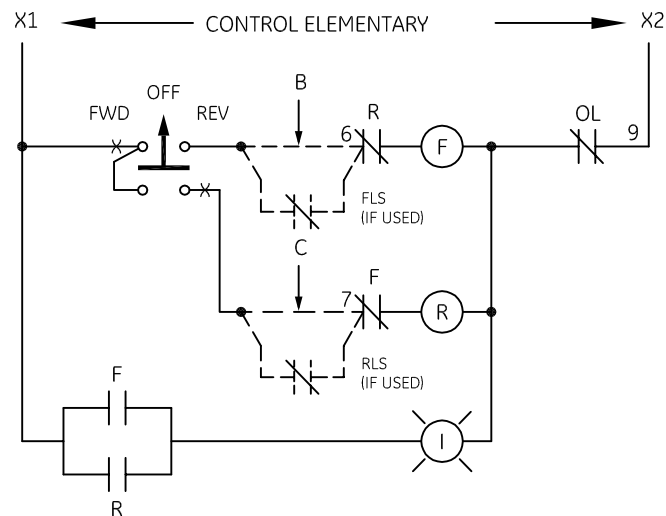
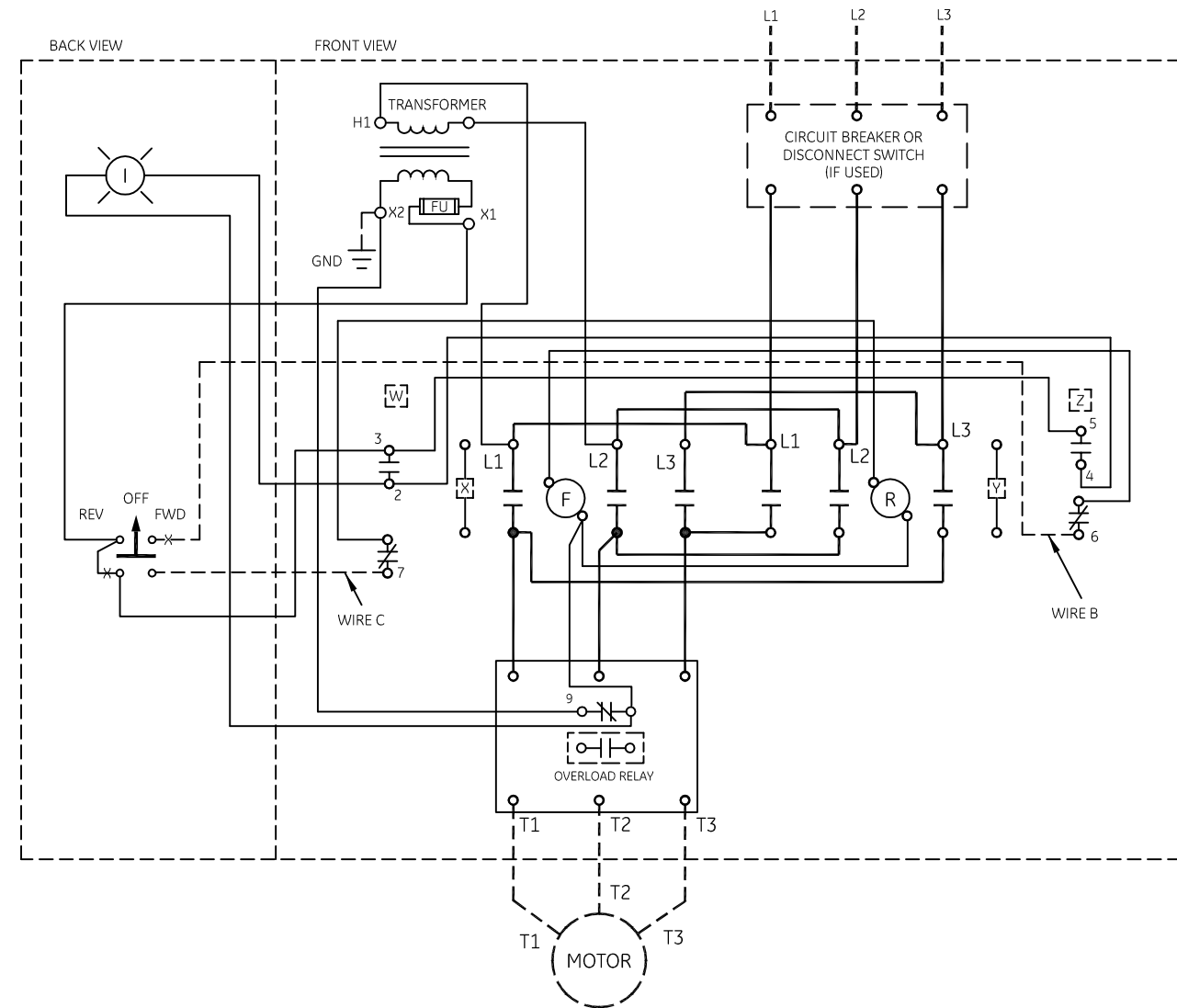
ALTERNATE MARKINGS FOR FORWARD AND
 REVERSE ARE OPEN AND CLOSE, AND
 RAISE AND LOWER.

FOR EXTRA AUXILIARY CONTACTS A MAXIMUM
 OF 4 CONTACTS MAY BE ADDED AT POSITIONS
 W,X,Y & Z.

GROUND KIT

1/2-IN CONDUIT	55-213403G001
3/4-IN CONDUIT	55-213403G002
1-IN CONDUIT	55-213403G003
1 1/4-IN CONDUIT	55-213403G004
1 1/2-IN CONDUIT	55-213403G005
2-IN CONDUIT	55-213403G006
2 1/2-IN CONDUIT	55-213403G007
3-IN CONDUIT	55-213403G008

NOTE: ADDITIONAL OVER-CURRENT PROTECTION
 MAY BE REQUIRED. REFER TO THE
 NATIONAL ELECTRICAL CODE OR LOCAL
 ELECTRICAL CODE AS REQUIRED.



GE imagination at work

WIRING DIAGRAM
 REVERSER SIZE 0 & 1

AN #	THIRD ANGLE PROJECTION	SHEET #	DWG NO.	DATE	REV
09-9115		1 OF 1	55-532645	09/08/2009	5