

-NOMENCLATURE-
 FLS-FORWARD LIMIT SWITCH
 RLS-REVERSE LIMIT SWITCH
 F-FORWARD CONTACTOR
 R-REVERSE CONTACTOR
 FWD-FORWARD
 REV-REVERSE
 OL-THERMAL OVERLOAD RELAY
 I-INDICATING LIGHT
 FU-FUSE
 X-INDICATES CONTACT CLOSED

NOTE: REFER TO THE NATIONAL ELECTRICAL CODE.
 ADDITIONAL CONTROL CIRCUIT OVER-CURRENT PROTECTION MAY BE REQUIRED.

FOR EXTRA AUXILIARY CONTACTS- A MAXIMUM OF 4 CONTACTS MAY BE ADDED AT POSITIONS W,X,Y,&Z.

FOR REVERSER WITHOUT DISCONNECT MEANS-WIRE LINE DIRECT TO L1, L2 AND L3 ON REVERSER.

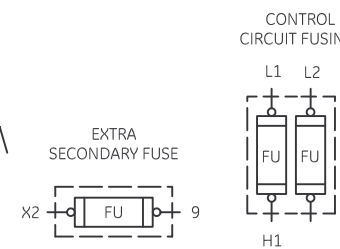
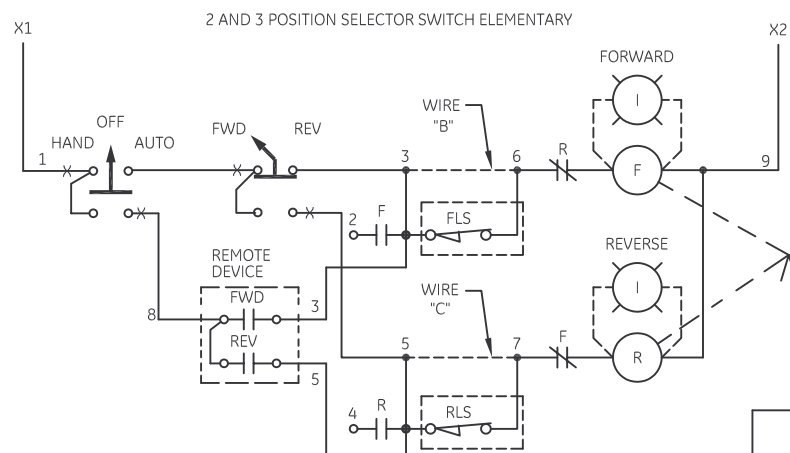
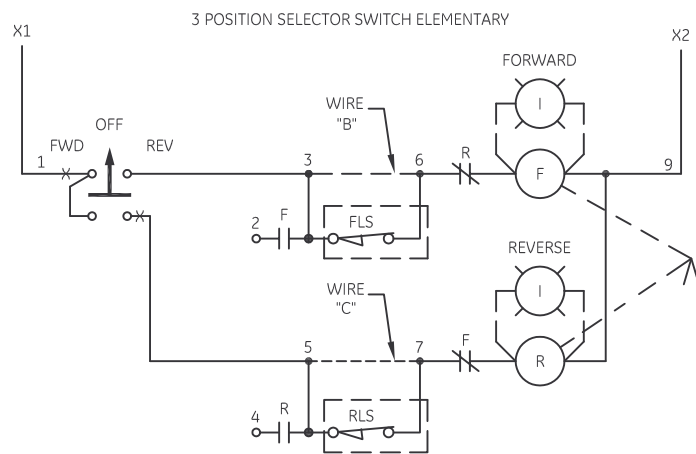
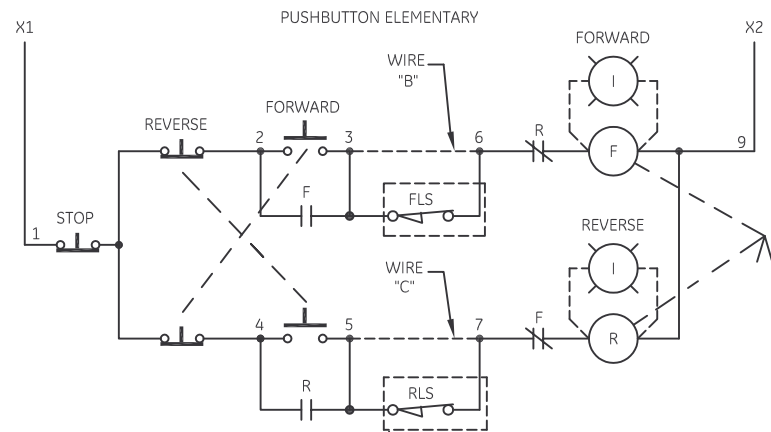
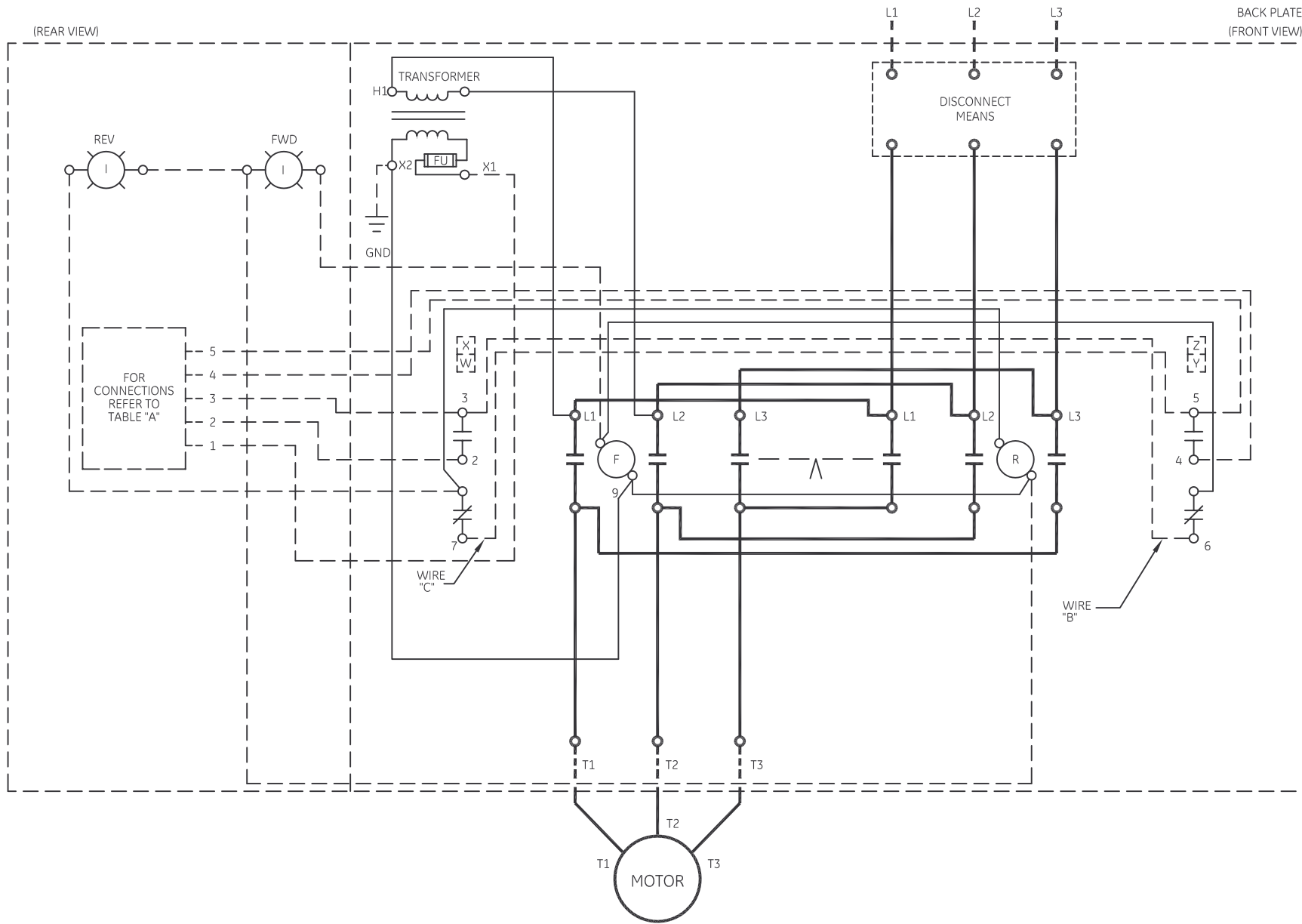
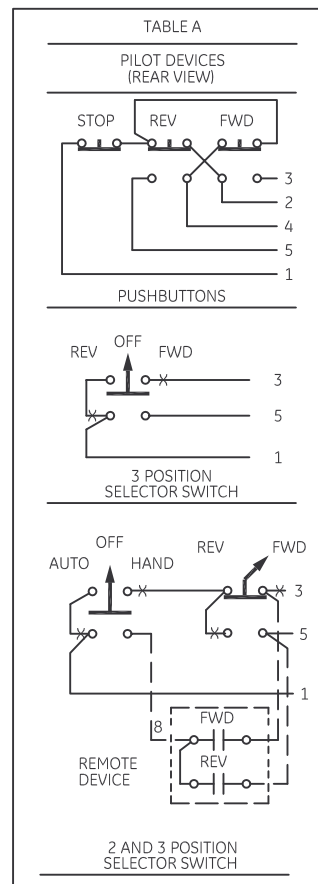
IF LIMIT SWITCHES ARE NOT USED- ADD WIRES "B" AND "C" AS SHOWN IN ELEMENTARY

FOR CSA - GND KIT

1/2-IN CONDUIT	55-213403G001
3/4-IN CONDUIT	55-213403G002
1-IN CONDUIT	55-213403G003
1 1/4-IN CONDUIT	55-213403G004
1 1/2-IN CONDUIT	55-213403G005
2-IN CONDUIT	55-213403G006
2 1/2-IN CONDUIT	55-213403G007

USE 75°C COPPER CONDUCTORS ONLY, FOR FIELD WIRING.

TORQUE LINE & LOAD TERMINALS AS SHOWN AT RIGHT.	SIZE 2		SIZE 3		SIZE 4	
	LINE	LOAD	LINE	LOAD	LINE	LOAD
CR309	50 LB-IN	50 LB-IN	150 LB-IN	150 LB-IN	200 LB-IN	200 LB-IN
CR310	AS MARKED	50 LB-IN	AS MARKED	150 LB-IN	AS MARKED	200 LB-IN
CR311	50 LB-IN	50 LB-IN	50 LB-IN	150 LB-IN	275 LB-IN	200 LB-IN
CR390	AS MARKED	50 LB-IN	AS MARKED	150 LB-IN	AS MARKED	200 LB-IN



imagination at work

WIRING DIAGRAM
 FVR SIZE 2, 3 & 4

AN #	THIRD ANGLE PROJECTION	SHEET #	DWG NO.	DATE	REV
09-9112		1 OF 1	55-532810	08/18/2009	4