

-NOMENCLATURE-
 FS & SS-FAST,SLOW-SPEED
 CONTACTORS MECHANICALLY
 AND ELECTRICALLY
 INTERLOCKED
 OL-OVERLOAD RELAY
 I-INDICATING LIGHT
 *-IF USED
 FU-FUSE

ALTERNATIVE LEGENDS FOR FAST AND SLOW
 ARE HIGH AND LOW.

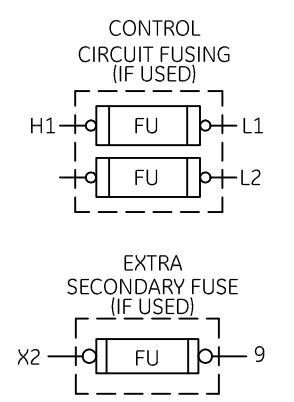
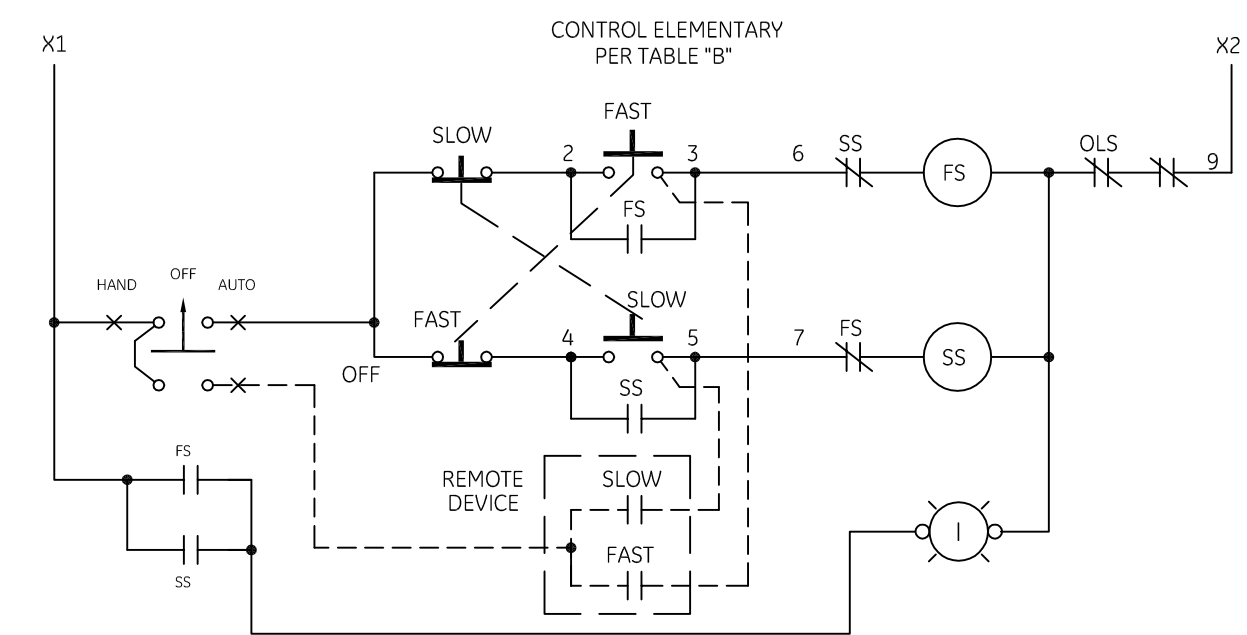
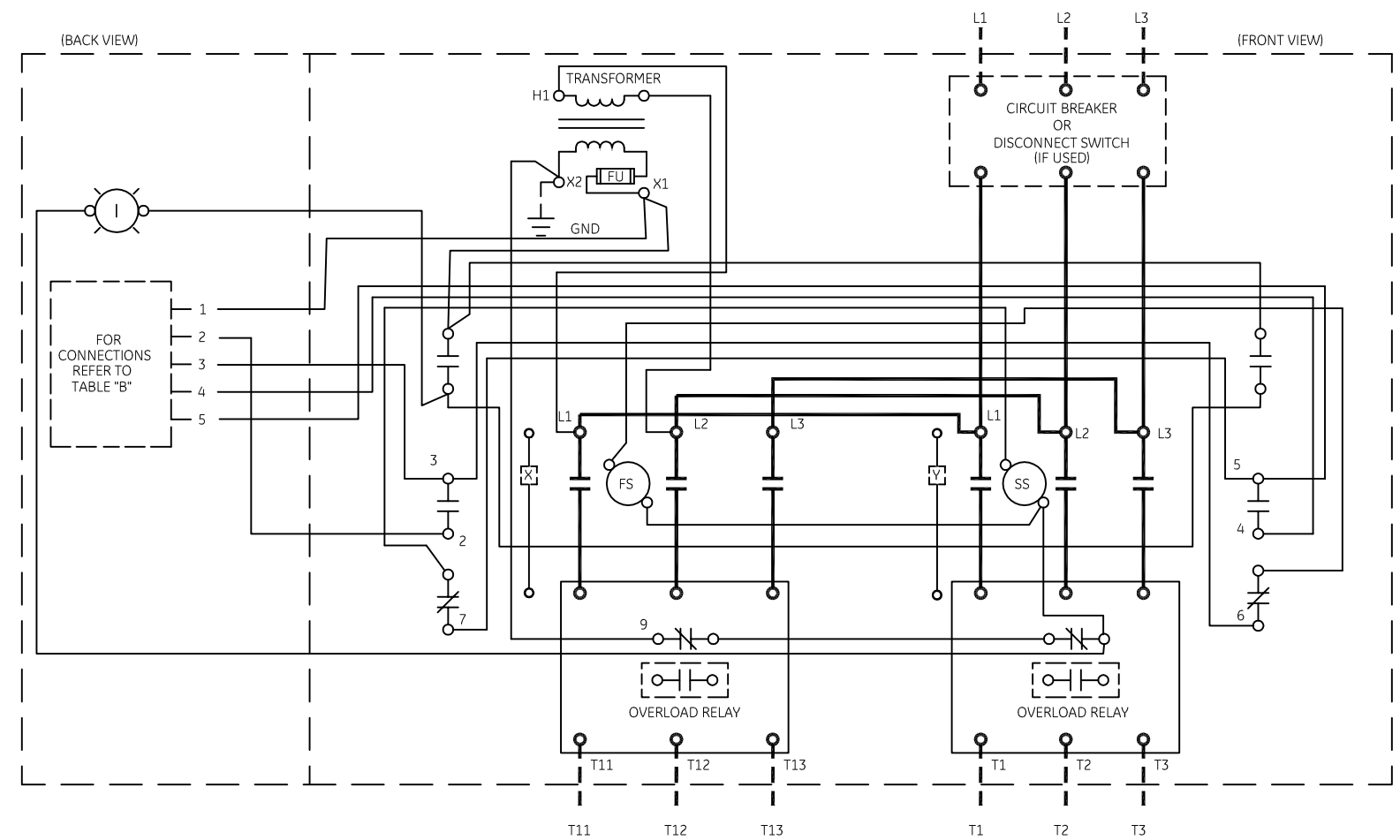
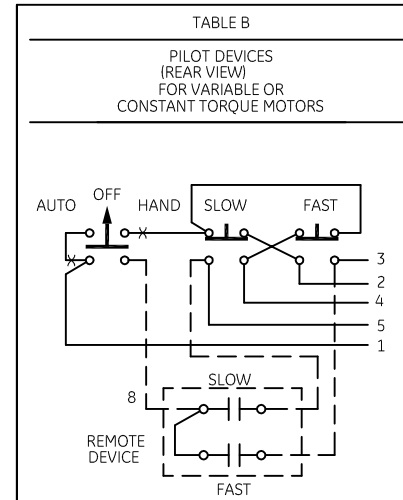
	LINE	LOAD
USE 75°C COPPER	CR309	20 LB-IN
CONDUCTORS ONLY, FOR	CR310	AS MARKED
FIELD WIRING. TORQUE	CR311	35 LB-IN
LINE AND LOAD TERMINALS	CR390	AS MARKED
AS MARKED OR AS SHOWN		20 LB-IN
AT RIGHT:		20 LB-IN

NOTE: ADDITIONAL OVER-CURRENT PROTECTION
 MAY BE REQUIRED. REFER TO THE
 NATIONAL ELECTRICAL CODE OR LOCAL
 ELECTRICAL CODE AS REQUIRED.

GROUND KIT	
1/2-IN CONDUIT	55-213403G001
3/4-IN CONDUIT	55-213403G002
1-IN CONDUIT	55-213403G003
1 1/4-IN CONDUIT	55-213403G004
1 1/2-IN CONDUIT	55-213403G005
2-IN CONDUIT	55-213403G006
2 1/2-IN CONDUIT	55-213403G007
3-IN CONDUIT	55-213403G008

FOR EXTRA AUXILIARY CONTACTS - A MAXIMUM OF 2
 CONTACTS MAY BE ADDED AT POSITIONS X & Y.

FOR CONTROLLER WITHOUT DISCONNECT MEANS-WIRE
 LINE DIRECT TO L1,L2 AND L3 ON CONTACTOR.



GE imagination at work

WIRING DIAGRAM
 2 SPEED - 2 WINDING SIZE 0

AN #	THIRD ANGLE PROJECTION	SHEET #	DWG NO.	DATE	REV
09-9115		1 OF 1	55-532839	09/08/2009	2