

-NOMENCLATURE-  
 FS&SS-FAST, SLOW-SPEED CONTACTORS  
 MECHANICALLY AND ELECTRICALLY  
 INTERLOCKED.  
 OL-OVERLOAD RELAY  
 I-INDICATING LIGHT  
 FU-FUSE

	LINE	LOAD
USE 75°C COPPER	CR309 20 LB-IN	20 LB-IN
CONDUCTORS ONLY, FOR	CR310 AS MARKED	20 LB-IN
FIELD WIRING. TORQUE	CR311 35 LB-IN	20 LB-IN
LINE AND LOAD TERMINALS	CR390 AS MARKED	20 LB-IN
AS MARKED OR AS SHOWN		
AT RIGHT:		

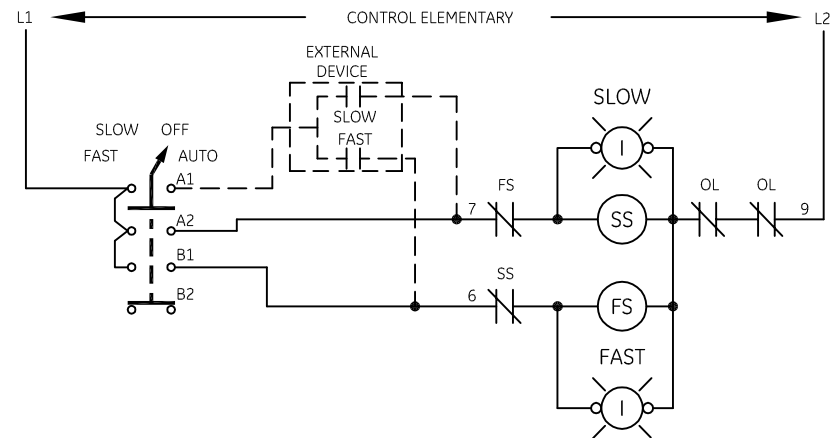
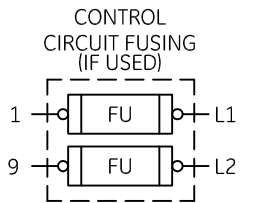
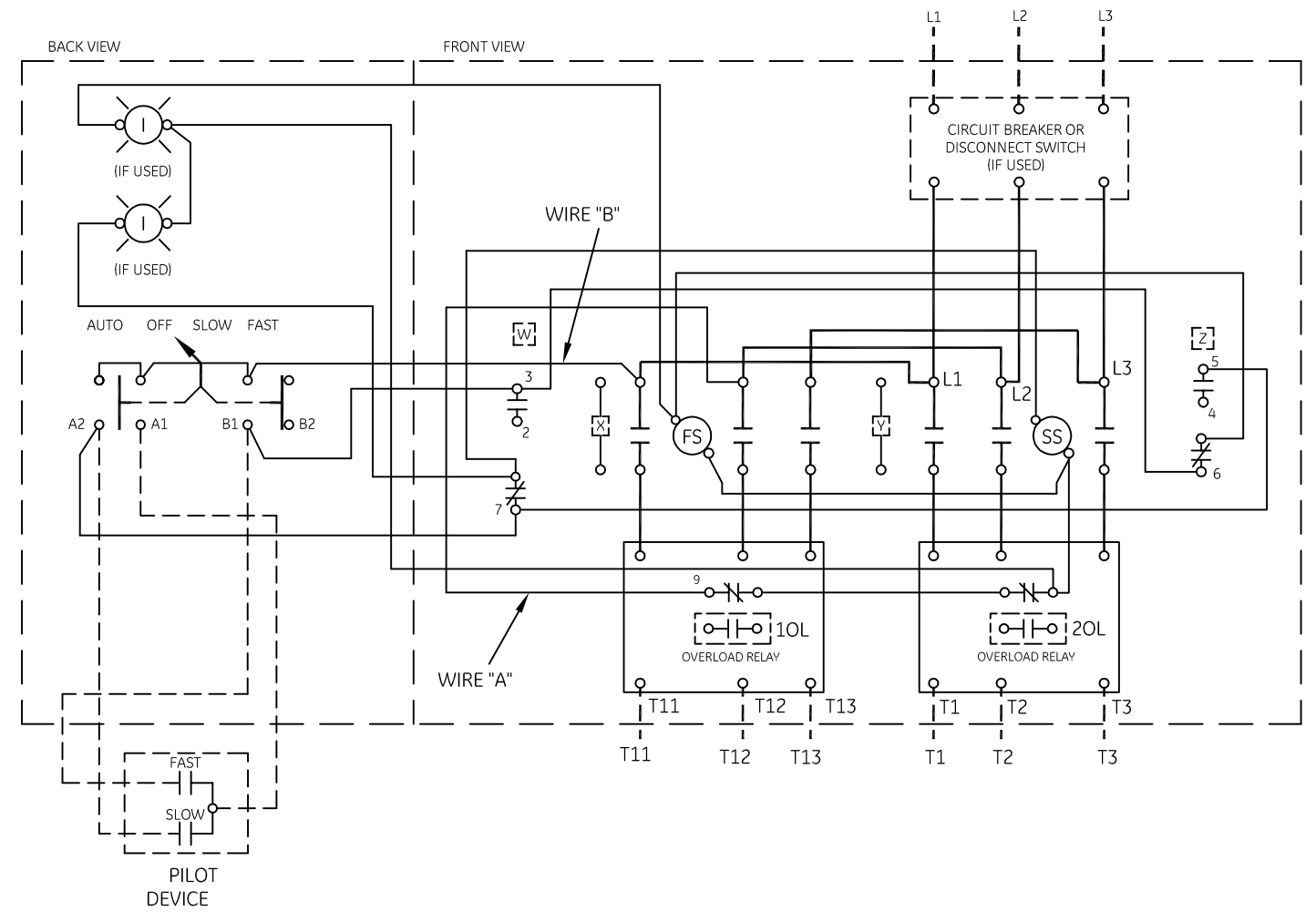
NOTE: ADDITIONAL OVER-CURRENT PROTECTION  
 MAY BE REQUIRED. REFER TO THE  
 NATIONAL ELECTRICAL CODE OR LOCAL  
 ELECTRICAL CODE AS REQUIRED.

GROUND KIT	
1/2-IN CONDUIT	55-213403G001
3/4-IN CONDUIT	55-213403G002
1-IN CONDUIT	55-213403G003
1 1/4-IN CONDUIT	55-213403G004
1 1/2-IN CONDUIT	55-213403G005
2-IN CONDUIT	55-213403G006
2 1/2-IN CONDUIT	55-213403G007
3-IN CONDUIT	55-213403G008

ALTERNATIVE LEGENDS FOR FAST AND SLOW  
 ARE HIGH AND LOW.

FOR SEPARATE CONTROL SOURCE-REMOVE WIRES "A" & "B"  
 AND CONNECT SEPARATE CONTROL SOURCE TO 9 ON OL  
 AND TO 1 ON PILOT DEVICE. WIRES "A" & "B" ARE  
 OMITTED AT FACTORY ON ALL CONTROLLERS WITH A  
 COIL VOLTAGE OF 120V OR LESS.

CONTACT	POSITION			
	FAST	SLOW	OFF	AUTO
A1				X
A2		X		
B1	X			
B2			X	



GE imagination at work

WIRING DIAGRAM  
 2 SPEED - 2 WINDING SIZE 0 & 1

AN #	THIRD ANGLE PROJECTION	SHEET #	DWG NO.	DATE	REV
09-9115		1 OF 1	55-532849	09/09/2009	6