

MOTOR CONNECTIONS	SPEED	L1	L2	L3	OPEN	TOGETHER
CONSTANT TORQUE	SLOW FAST	T1 T6	T2 T4	T3 T5	T6,T4,T5	T1,T2,T3
VARIABLE TORQUE	SLOW FAST	T1 T6	T2 T4	T3 T5	T6,T4,T5	T1,T2,T3

CONNECTION TABLE	CONTROLLER TERMINALS					
	A	B	C	D	E	F
CONSTANT TORQUE	T1	T2	T3	T6	T4	T5
VARIABLE TORQUE	T1	T2	T3	T6	T4	T5

-NOMENCLATURE-

1M,2M-FAST, SLOW-SPEED CONTACTORS
MECHANICALLY AND ELECTRICALLY
INTERLOCKED.
OL-OVERLOAD RELAY.
I-INDICATING LIGHT
TR-TIMING RELAY T.D.O.D.
X-INDICATES CONTACT CLOSED
FU-FUSE

NOTE: FOR STARTER ONLY OMIT WIRING
FROM CIRCUIT BREAKER OR DISCONNECT
SWITCH TO STARTER AND WIRE LINE DIRECT
TO L1, L2, AND L3 OF STARTER.

	LINE	LOAD
USE 75°C, COPPER CON- DUCTORS ONLY, FOR FIELD WIRING. TORQUE LINE AND LOAD TERMINALS AS SHOWN AT RIGHT:	CR309 CR310 CR311 CR390	20 LB-IN AS MARKED 35 LB-IN AS MARKED

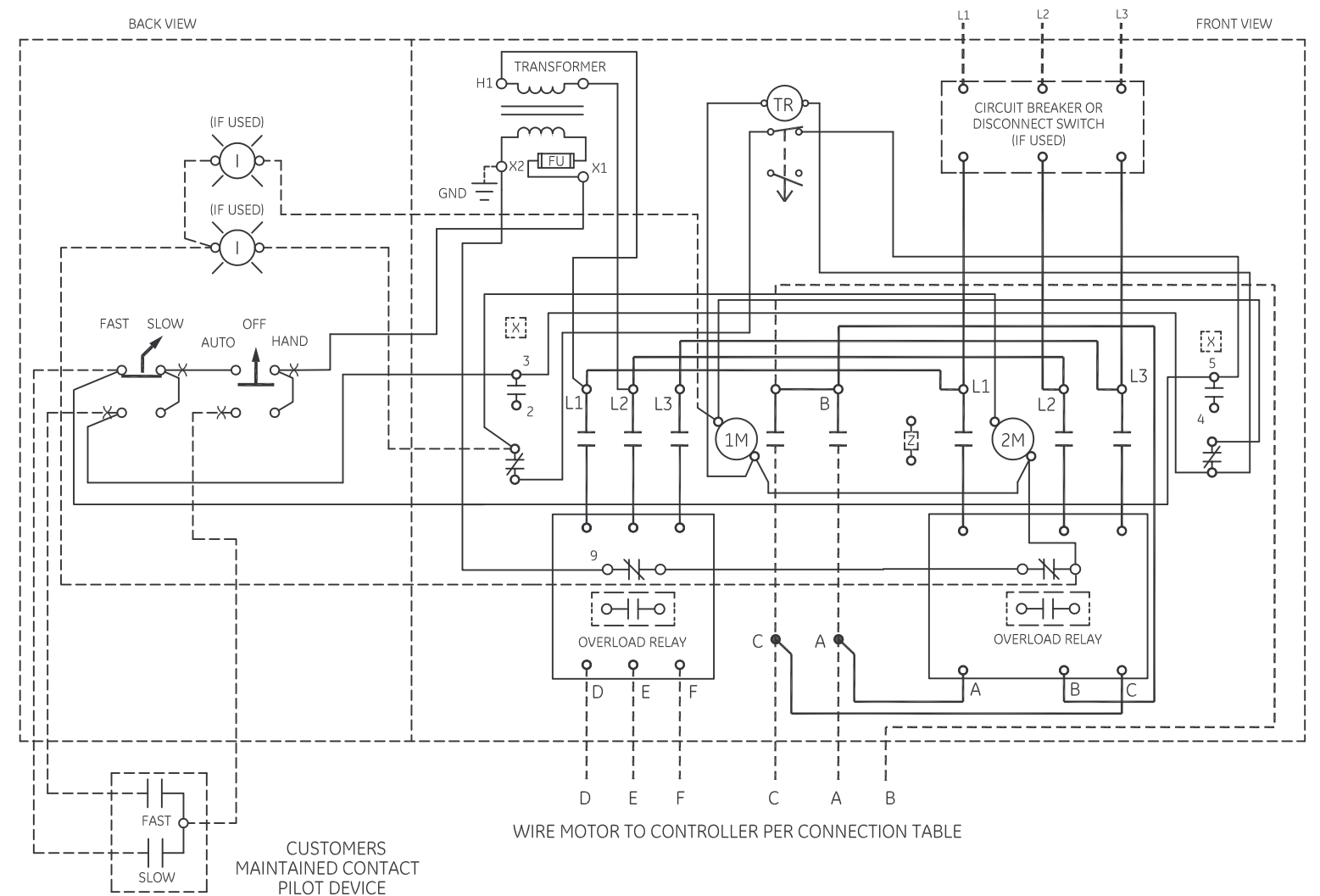
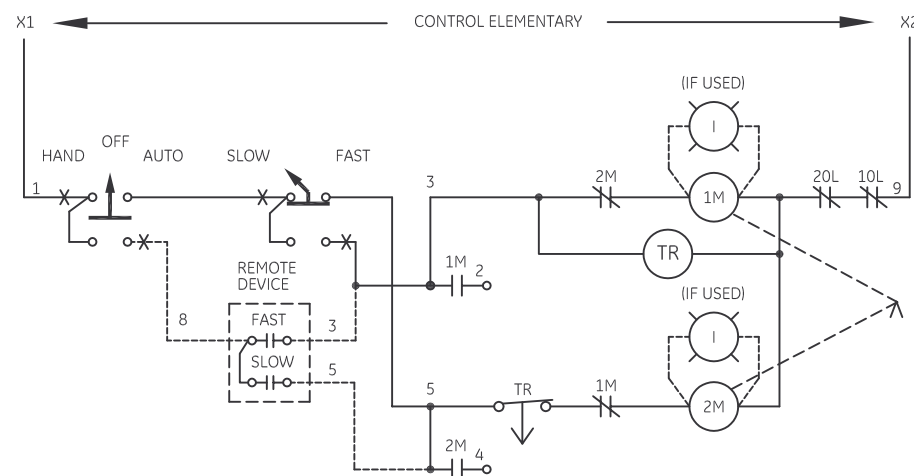
NOTE: ADDITIONAL OVER-CURRENT PROTECTION
MAY BE REQUIRED. REFER TO THE
NATIONAL ELECTRICAL CODE OR LOCAL
ELECTRICAL CODE AS REQUIRED.

GROUND KIT

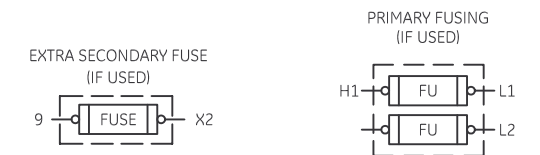
1/2-IN CONDUIT	55-213403G001
3/4-IN CONDUIT	55-213403G002
1-IN CONDUIT	55-213403G003
1 1/4-IN CONDUIT	55-213403G004
1 1/2-IN CONDUIT	55-213403G005
2-IN CONDUIT	55-213403G006
2 1/2-IN CONDUIT	55-213403G007
3-IN CONDUIT	55-213403G008

ALTERNATIVE LEGENDS FOR FAST AND SLOW
ARE HIGH AND LOW.

INSTALL OVERLOAD HEATERS		
FOR	LOW SPEED	HIGH SPEED
IN	20L	10L



WIRE MOTOR TO CONTROLLER PER CONNECTION TABLE



imagination at work

WIRING DIAGRAM
2 SPEED - 1 WINDING SIZE 0 & 1

AN #	THIRD ANGLE PROJECTION	SHEET #	DWG NO.	DATE	REV
09-9115		1 OF 1	55-533566	09/07/2009	4