

-NOMENCLATURE-

FS & SS-FAST,SLOW-SPEED
 CONTACTORS MECHANICALLY
 AND ELECTRICALLY
 INTERLOCKED
 OL-OVERLOAD RELAY
 I-INDICATING LIGHT
 *-IF USED
 FU-FUSE
 TR-DECELERATING TIMER

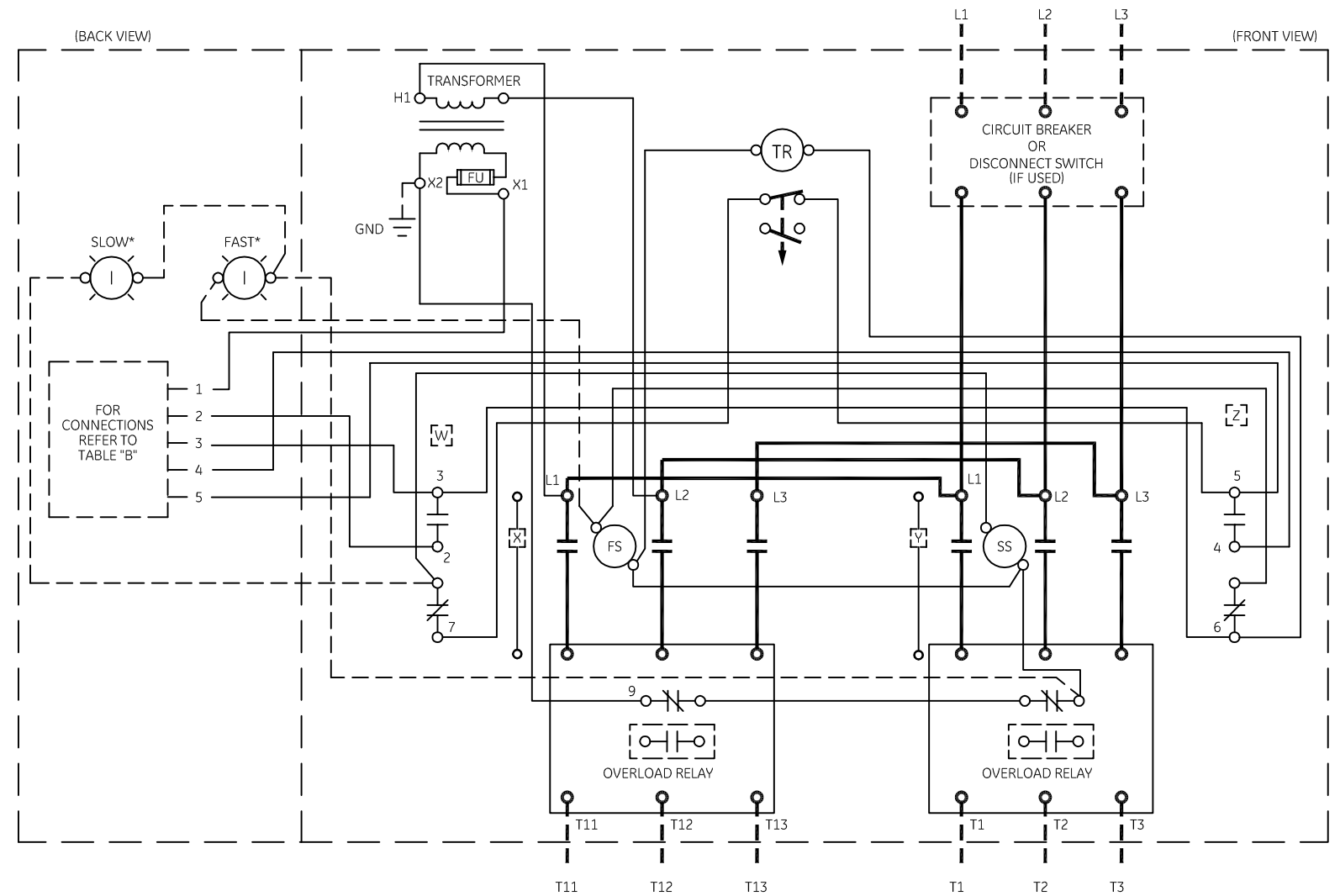
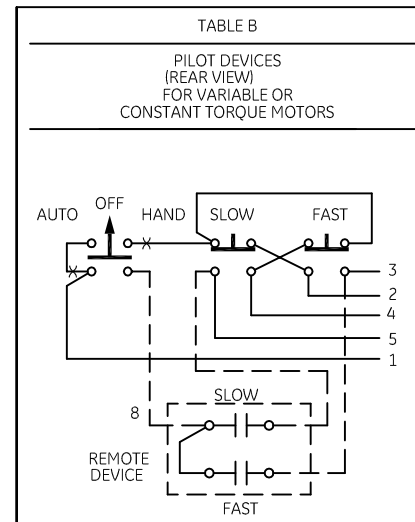
	LINE	LOAD
USE 75°C COPPER CONDUCTORS ONLY, FOR FIELD WIRING. TORQUE LINE AND LOAD TERMINALS AS MARKED OR AS SHOWN AT RIGHT:	CR309 20 LB-IN	20 LB-IN
	CR310 AS MARKED	20 LB-IN
	CR311 35 LB-IN	20 LB-IN
	CR390 AS MARKED	20 LB-IN

ALTERNATIVE LEGENDS FOR FAST AND SLOW
 ARE HIGH AND LOW.

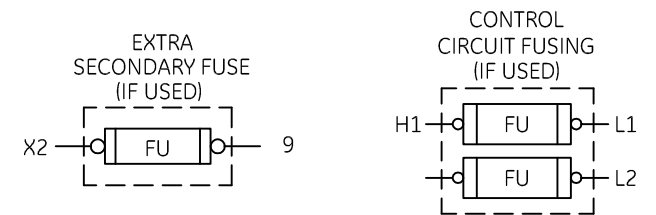
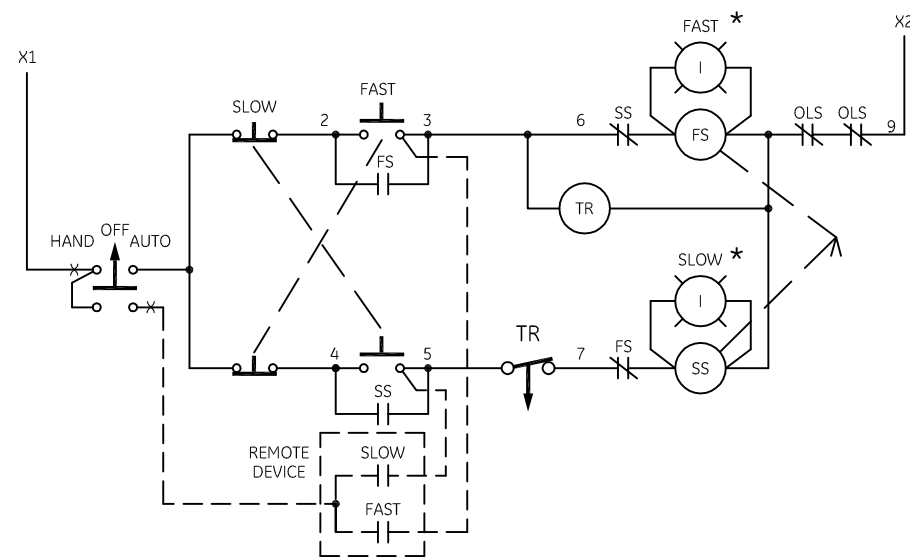
NOTE: ADDITIONAL OVER-CURRENT PROTECTION
 MAY BE REQUIRED. REFER TO THE
 NATIONAL ELECTRICAL CODE OR LOCAL
 ELECTRICAL CODE AS REQUIRED.

GROUND KIT

1/2-IN CONDUIT	55-213403G001
3/4-IN CONDUIT	55-213403G002
1-IN CONDUIT	55-213403G003
1 1/4-IN CONDUIT	55-213403G004
1 1/2-IN CONDUIT	55-213403G005
2-IN CONDUIT	55-213403G006
2 1/2-IN CONDUIT	55-213403G007
3-IN CONDUIT	55-213403G008



CONTROL ELEMENTARY
 PER TABLE "B"



GE imagination at work

WIRING DIAGRAM
 2 SPEED - 2 WINDING SIZE 0 & 1

AN #	THIRD ANGLE PROJECTION	SHEET #	DWG NO.	DATE	REV
09-9115		1 OF 1	55-534780	09/07/2009	2