

-NOMENCLATURE-

OL - THERMAL OVERLOAD RELAY
 FLS - FORWARD LIMIT SWITCH
 RLS - REVERSE LIMIT SWITCH
 F&R - LINE CONTACTORS MECHANICALLY AND ELECTRICALLY INTERLOCKED
 FU-FUSE
 I-INDICATING LIGHT
 X-INDICATES CONTACT CLOSED

FOR 2 PHASE, 3 WIRE OPERATION-
 L2 IS COMMON LINE. CONNECT MOTOR T1 TO CONTROLLER T1, T3 & T4 TO CONTROLLER T2, AND MOTOR T2 TO CONTROLLER T3.
 2 PHASE FORMS HAVE SAME RATING AS 3 PHASE FORMS.

NOTE: ADDITIONAL OVER-CURRENT PROTECTION MAY BE REQUIRED. REFER TO THE NATIONAL ELECTRICAL CODE OR LOCAL ELECTRICAL CODE AS REQUIRED.

	LINE	LOAD
USE 75°C, COPPER CONDUCTORS ONLY, FOR FIELD WIRING. TORQUE LINE AND LOAD TERMINALS AS SHOWN AT RIGHT:	CR309 20 LB-IN	20 LB-IN
	CR310 AS MARKED	20 LB-IN
	CR311 35 LB-IN	20 LB-IN
	CR390 AS MARKED	20 LB-IN

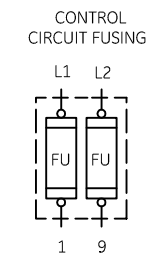
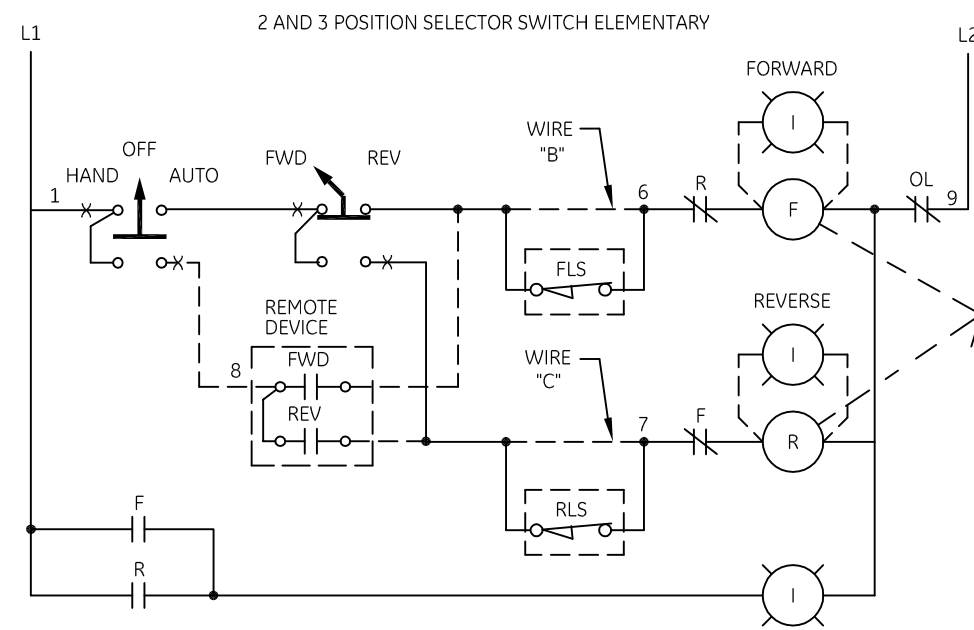
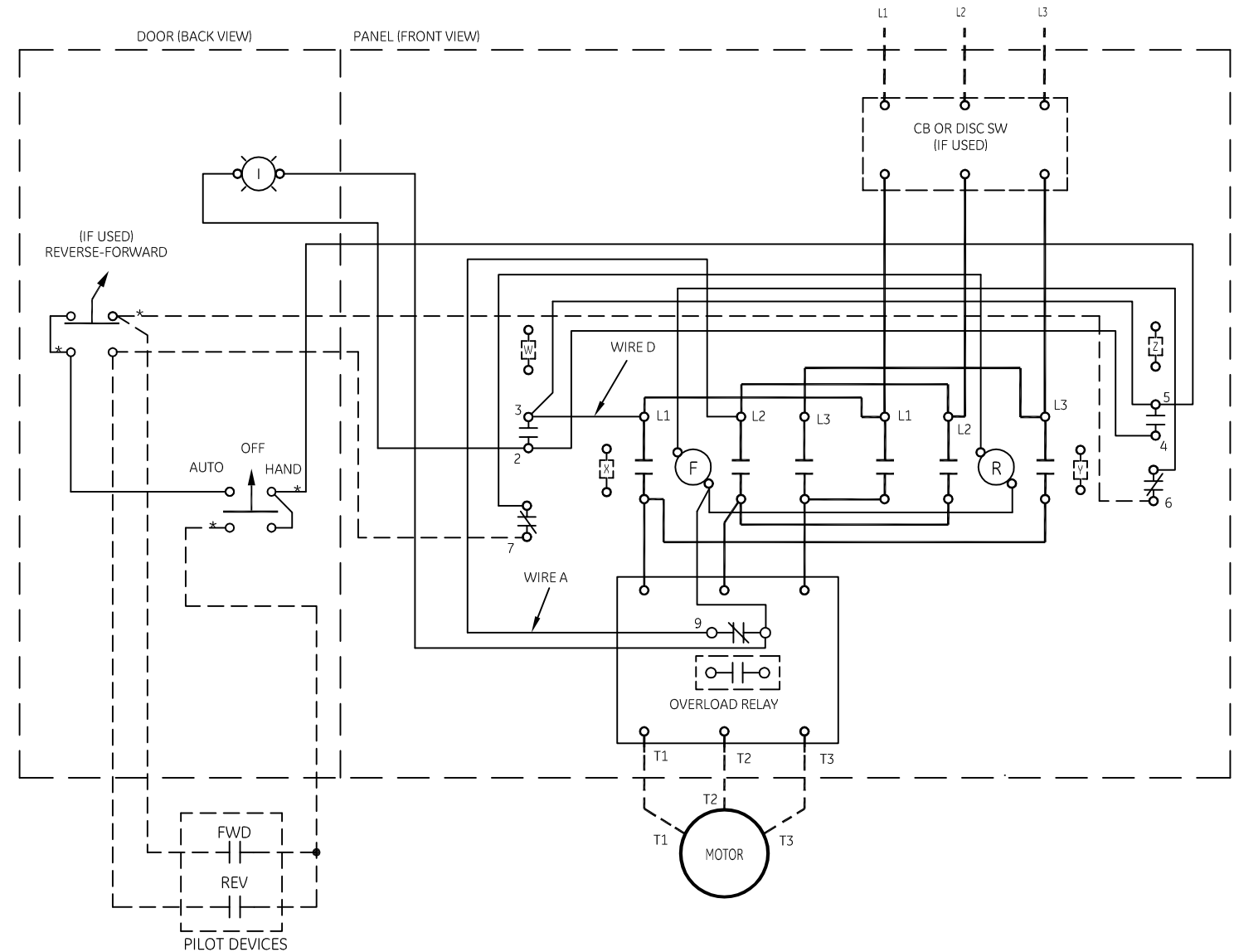
GROUND KIT

1/2-IN CONDUIT	55-213403G001
3/4-IN CONDUIT	55-213403G002
1-IN CONDUIT	55-213403G003
1 1/4-IN CONDUIT	55-213403G004
1 1/2-IN CONDUIT	55-213403G005
2-IN CONDUIT	55-213403G006
2 1/2-IN CONDUIT	55-213403G007
3-IN CONDUIT	55-213403G008

ALTERNATE MARKINGS FOR FORWARD AND REVERSE ARE OPEN AND CLOSE, AND RAISE AND LOWER.

FOR EXTRA AUXILIARY CONTACTS A MAXIMUM OF 4 CONTACTS MAY BE ADDED AT POSITIONS W,X,Y & Z.

FOR SEPARATE CONTROL SOURCE-REMOVE WIRES "A" & "D" AND CONNECT SEPARATE CONTROL SOURCE TO 9 ON OL AND TO 1 ON PILOT DEVICE. WIRES "A" & "D" ARE OMITTED AT FACTORY ON ALL CONTROLLERS WITH A COIL VOLTAGE OF 120V OR LESS.



imagination at work

WIRING DIAGRAM
 REVERSER SIZE 0 & 1

AN #	THIRD ANGLE PROJECTION	SHEET #	DWG NO.	DATE	REV
09-9115		1 OF 1	55-534782	09/07/2009	1