

-NOMENCLATURE-

- F-FAST CONTACTOR
- S-SLOW CONTACTOR
- OL-OVERLOAD RELAY
- I-INDICATING LIGHT
- FU-FUSE
- X-INDICATES CONTACT CLOSED
- ALTERNATE LEGENDS FOR FAST AND SLOW ARE HIGH AND LOW
- TR-DECELERATING TIMER

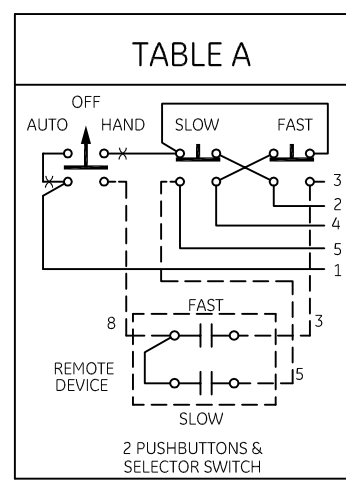
NOTE: ADDITIONAL OVER-CURRENT PROTECTION MAY BE REQUIRED. REFER TO THE NATIONAL ELECTRICAL CODE OR LOCAL ELECTRICAL CODE AS REQUIRED.

FOR EXTRA AUXILIARY CONTACTS - A MAXIMUM OF 4 CONTACTS MAY BE ADDED AT POSITIONS W,X,Y & Z.

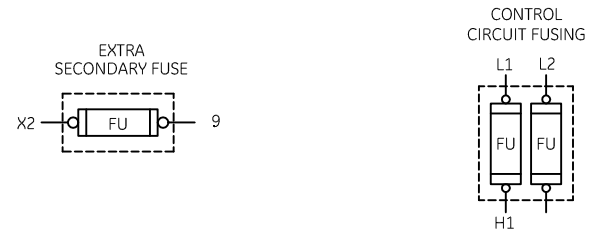
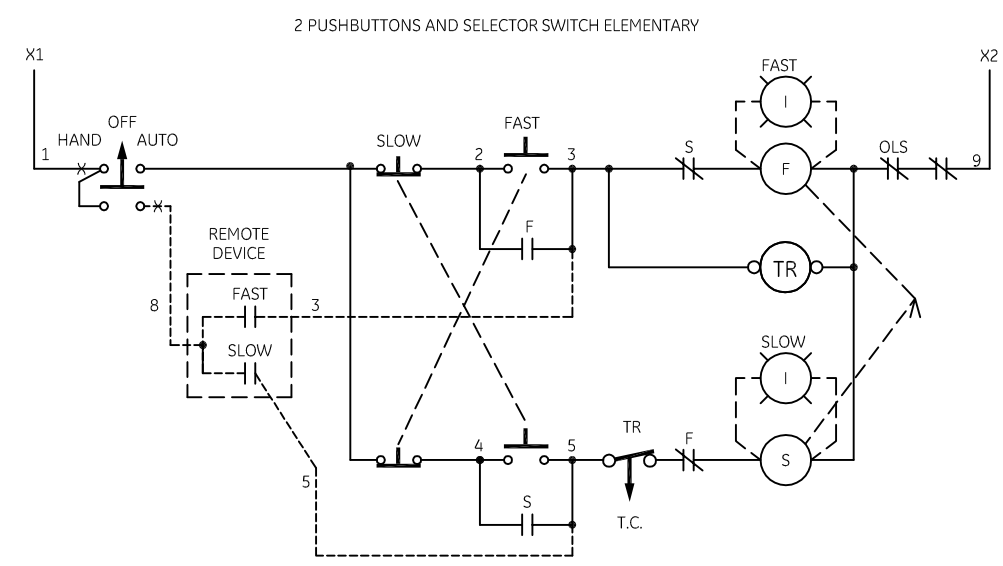
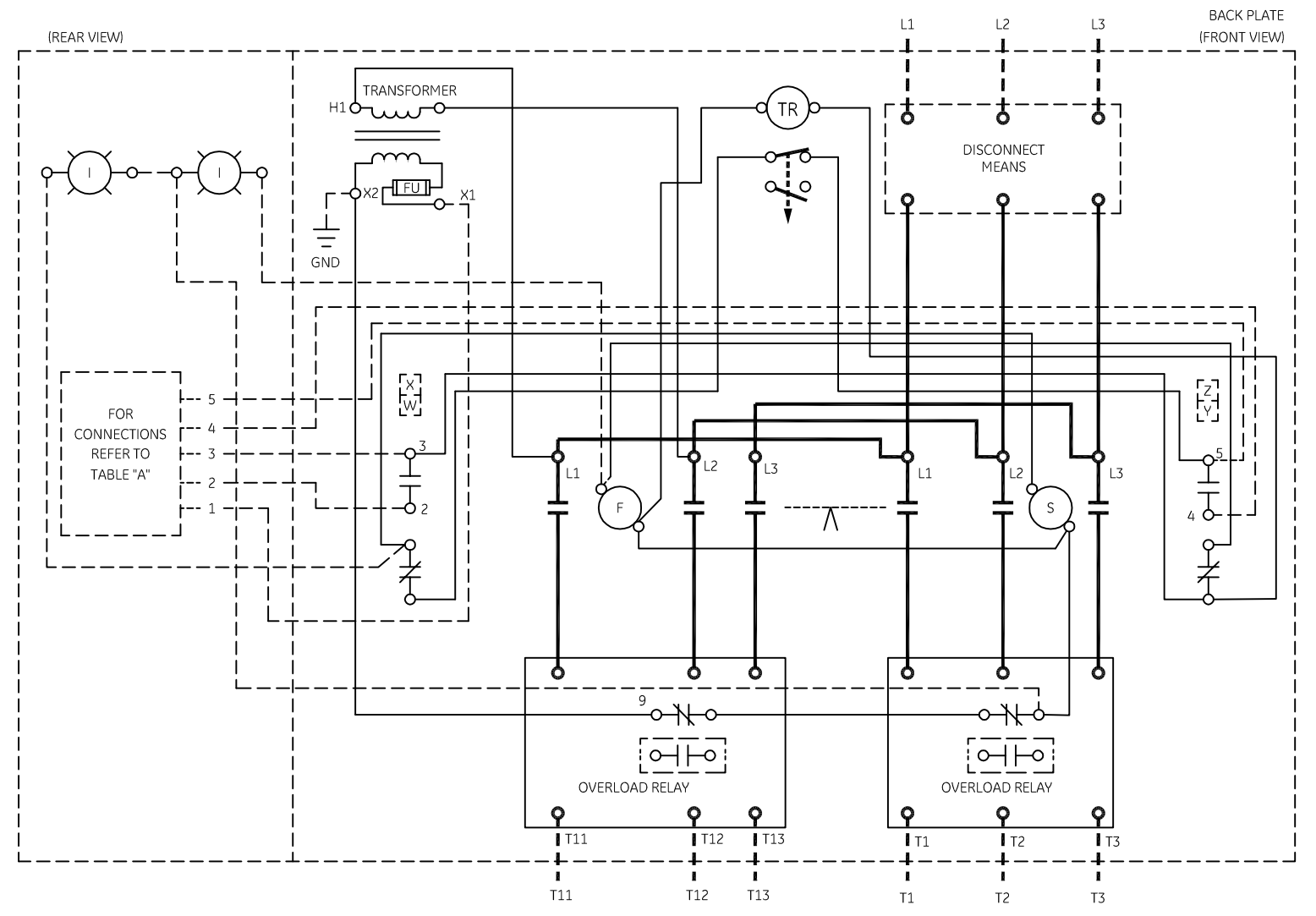
FOR CONTACTOR WITHOUT DISCONNECT MEANS-WIRE LINE DIRECT TO L1,L2 AND L3 ON CONTACTOR.

USE 75°C COPPER CONDUCTORS ONLY, FOR FIELD WIRING. TORQUE LINE AND LOAD TERMINALS AS SHOWN AT RIGHT:

| GROUND KIT | | |
|------------------|---------------|--|
| 1/2-IN CONDUIT | 55-213403G001 | |
| 3/4-IN CONDUIT | 55-213403G002 | |
| 1-IN CONDUIT | 55-213403G003 | |
| 1 1/4-IN CONDUIT | 55-213403G004 | |
| 1 1/2-IN CONDUIT | 55-213403G005 | |
| 2-IN CONDUIT | 55-213403G006 | |
| 2 1/2-IN CONDUIT | 55-213403G007 | |
| 3-IN CONDUIT | 55-213403G008 | |



| SIZE | LOAD SIDE | | LINE SIDE | | |
|------|------------|---------------|-----------|-----------|-------|
| | THERMAL OL | ELECTRONIC OL | CR309 | CR310,390 | CR311 |
| 2 | 50 | 20 | 50 | AS MARKED | 50 |
| 3 | 150 | 200 | 150 | AS MARKED | 50 |
| 4 | 200 | 200 | 200 | AS MARKED | 275 |



imagination at work

WIRING DIAGRAM
2 SPEED - 2 WINDING SIZE 2, 3 & 4

| AN # | THIRD ANGLE PROJECTION | SHEET # | DWG NO. | DATE | REV |
|---------|------------------------|---------|-----------|------------|-----|
| 09-9115 | | 1 OF 1 | 55-534801 | 09/08/2009 | 2 |