

-NOMENCLATURE-

- FU - FUSE
- I - INDICATING LIGHT
- OL - OVERLOAD RELAY
- FLS - FORWARD LIMIT SWITCH
- RLS - REVERSE LIMIT SWITCH
- F&R - LINE CONTACTORS MECHANICALLY AND ELECTRICALLY INTERLOCKED
- X-INDICATES CONTACT CLOSED

NOTE: ADDITIONAL OVER-CURRENT PROTECTION MAY BE REQUIRED. REFER TO THE NATIONAL ELECTRICAL CODE OR LOCAL ELECTRICAL CODE AS REQUIRED.

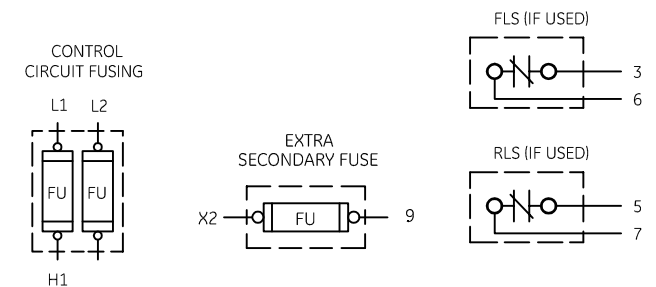
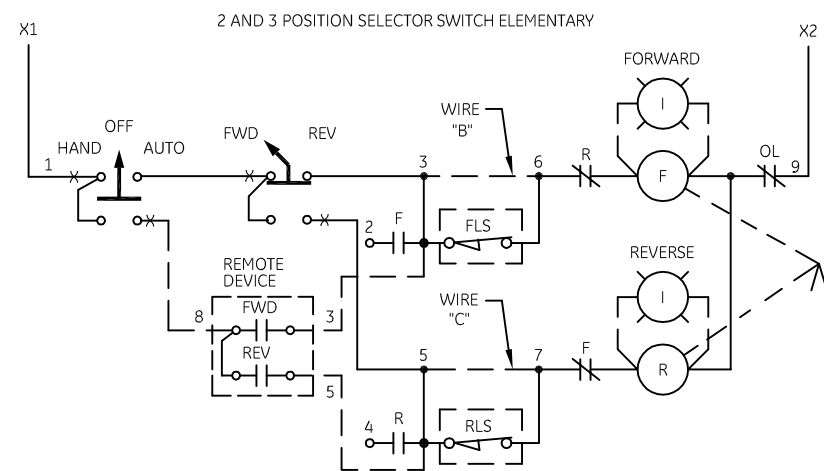
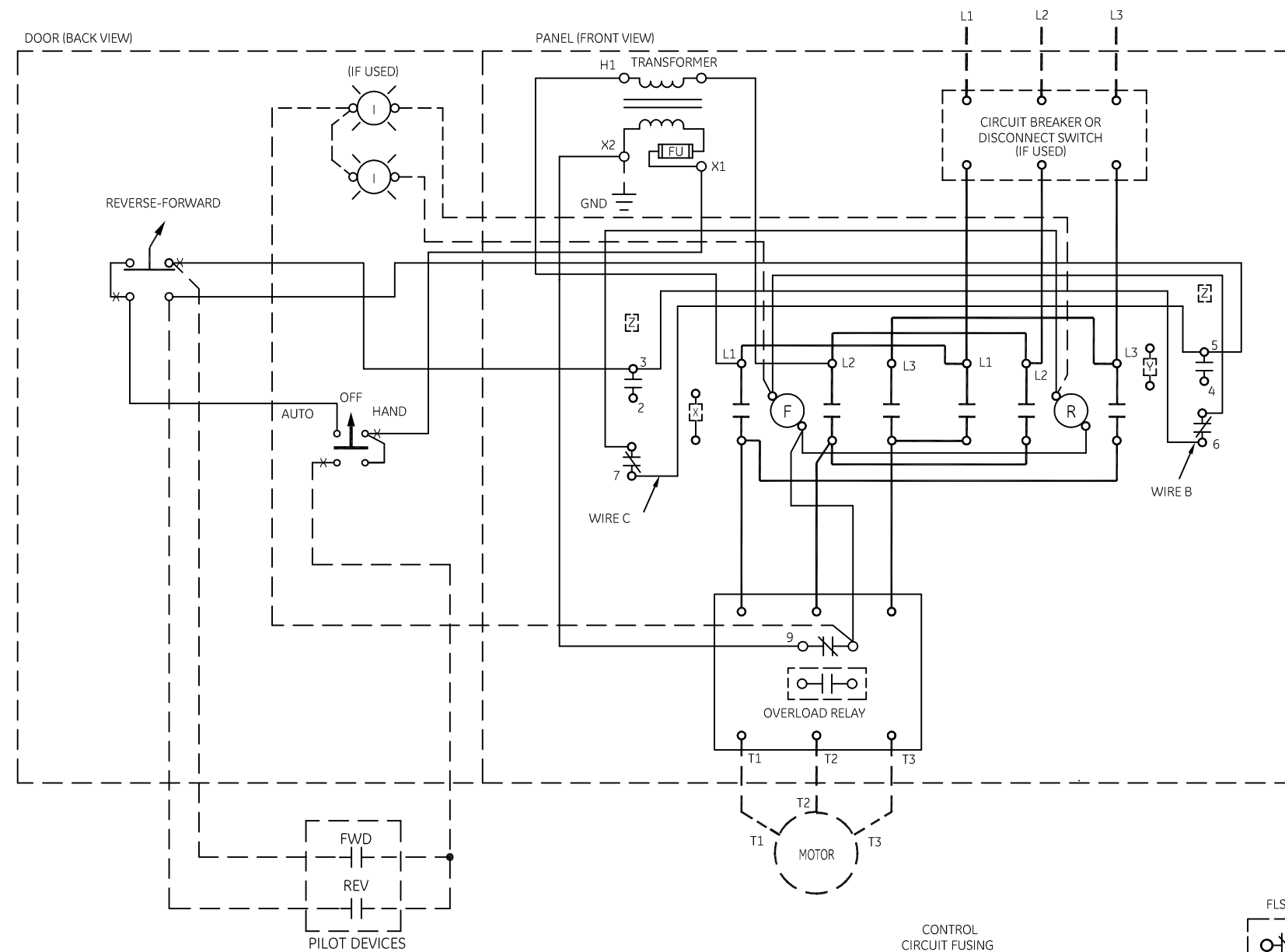
WIRE B AND C HAVE BEEN OMITTED AT FACTORY. IF LIMIT SWITCHES ARE NOT TO BE USED, WIRES B AND C MUST BE ADDED.

GROUND KIT

1/2-IN CONDUIT	55-213403G001
3/4-IN CONDUIT	55-213403G002
1-IN CONDUIT	55-213403G003
1 1/4-IN CONDUIT	55-213403G004
1 1/2-IN CONDUIT	55-213403G005
2-IN CONDUIT	55-213403G006
2 1/2-IN CONDUIT	55-213403G007
3-IN CONDUIT	55-213403G008

USE 75°C COPPER CONDUCTORS ONLY, FOR FIELD WIRING. TORQUE LINE AND LOAD TERMINALS AS MARKED OR AS SHOWN AT RIGHT:	CR306	20 LB-IN	20 LB-IN
	CR307	AS MARKED	20 LB-IN
	CR308	35 LB-IN	20 LB-IN
	CR389	AS MARKED	20 LB-IN

ALTERNATE MARKINGS FOR FORWARD AND REVERSE ARE OPEN AND CLOSE, AND RAISE AND LOWER.



GE imagination at work

**WIRING DIAGRAM
REVERSER SIZE 0 & 1**

AN #	THIRD ANGLE PROJECTION	SHEET #	DWG NO.
09-9115		1 OF 1	55-536094
		DATE	REV
		09/08/2009	3