

-NOMENCLATURE-

1M,2M-FAST, SLOW-SPEED CONTACTORS
MECHANICALLY AND ELECTRICALLY
INTERLOCKED.
10L,20L-OVERLOAD RELAY.
I-INDICATING LIGHT
TR-TIMING RELAY T.D.O.D.

FACTORY SUPPLIED PILOT DEVICES ARE
WIRED FOR CONSTANT AND VARIABLE TORQUE
MOTORS AS SHOWN. IN CONSTANT HP MOTORS
CONTACT FACTORY FOR INSTRUCTIONS.

USE 75°C, COPPER CON-
DUCTORS ONLY, FOR FIELD
WIRING. TORQUE LINE AND
LOAD TERMINALS AS
SHOWN AT RIGHT:

	LINE	LOAD
CR309	20 LB-IN	20 LB-IN
CR310	AS MARKED	20 LB-IN
CR311	35 LB-IN	20 LB-IN
CR390	AS MARKED	20 LB-IN

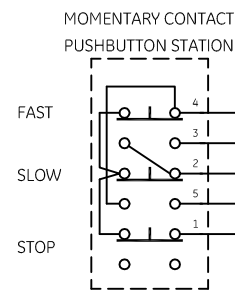
ALTERNATIVE LEGENDS FOR FAST AND SLOW
ARE HIGH AND LOW.

NOTE: ADDITIONAL OVER-CURRENT PROTECTION
MAY BE REQUIRED. REFER TO THE
NATIONAL ELECTRICAL CODE OR LOCAL
ELECTRICAL CODE AS REQUIRED.

GROUND KIT

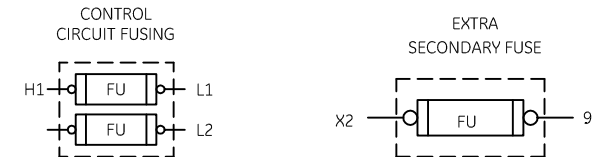
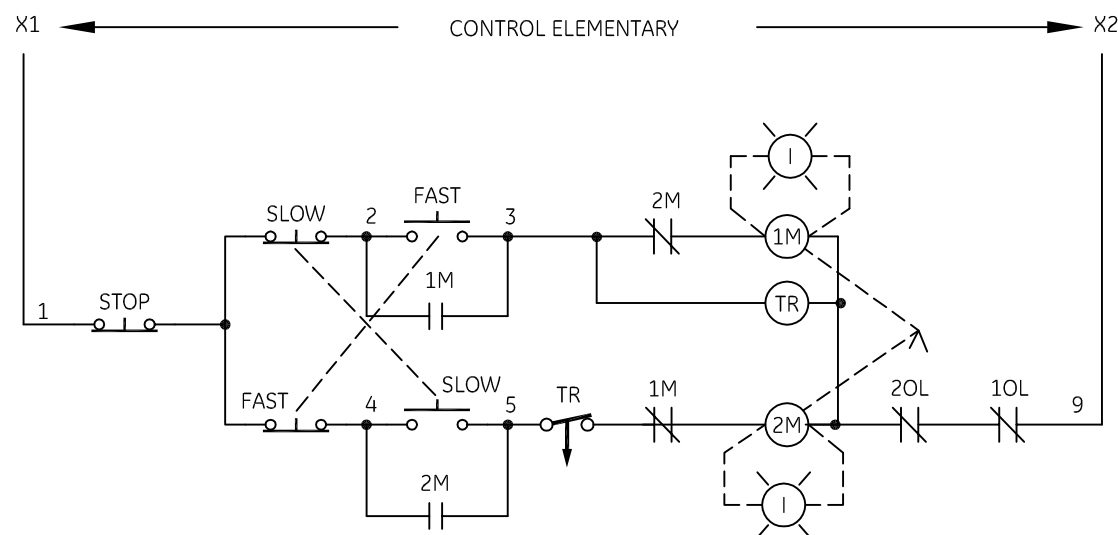
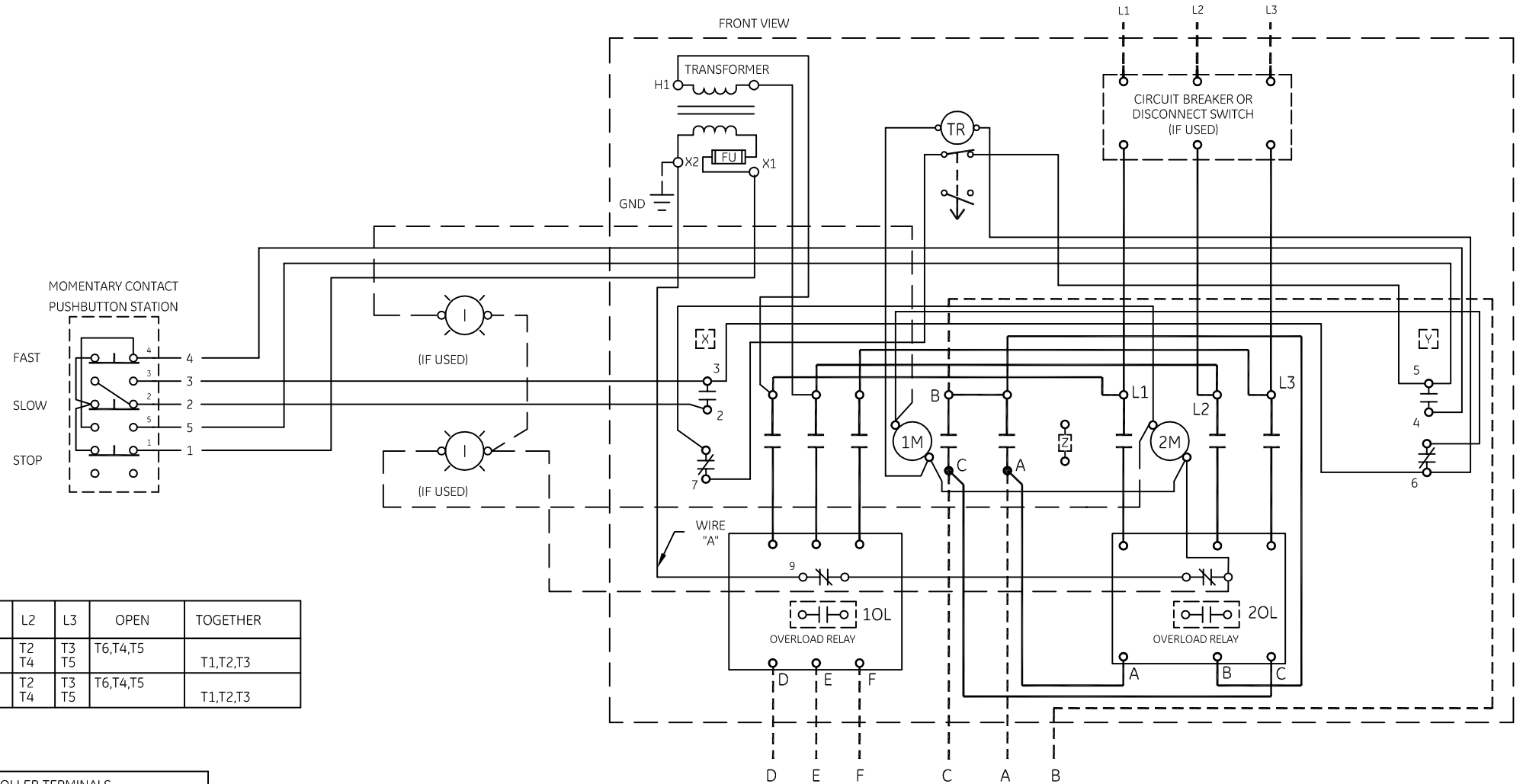
1/2-IN CONDUIT	55-213403G001
3/4-IN CONDUIT	55-213403G002
1-IN CONDUIT	55-213403G003
1 1/4-IN CONDUIT	55-213403G004
1 1/2-IN CONDUIT	55-213403G005
2-IN CONDUIT	55-213403G006
2 1/2-IN CONDUIT	55-213403G007
3-IN CONDUIT	55-213403G008

FOR EXTRA AUXILIARY CONTACTS A MAXIMUM
OF 3 CONTACTS MAY BE ADDED AT POSITIONS
X,Y & Z.



MOTOR CONNECTIONS	SPEED	L1	L2	L3	OPEN	TOGETHER
CONSTANT TORQUE	SLOW FAST	T1 T6	T2 T4	T3 T5	T6,T4,T5	T1,T2,T3
VARIABLE TORQUE	SLOW FAST	T1 T6	T2 T4	T3 T5	T6,T4,T5	T1,T2,T3

CONNECTION TABLE	CONTROLLER TERMINALS					
	A	B	C	D	E	F
CONSTANT TORQUE	T1	T2	T3	T6	T4	T5
VARIABLE TORQUE	T1	T2	T3	T6	T4	T5



GE imagination at work

WIRING DIAGRAM
2 SPEED - 1 WINDING SIZE 0 & 1

AN #	THIRD ANGLE PROJECTION	SHEET #	DWG NO.	DATE	REV
09-9115		1 OF 1	55-536118	09/08/2009	3