

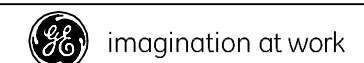
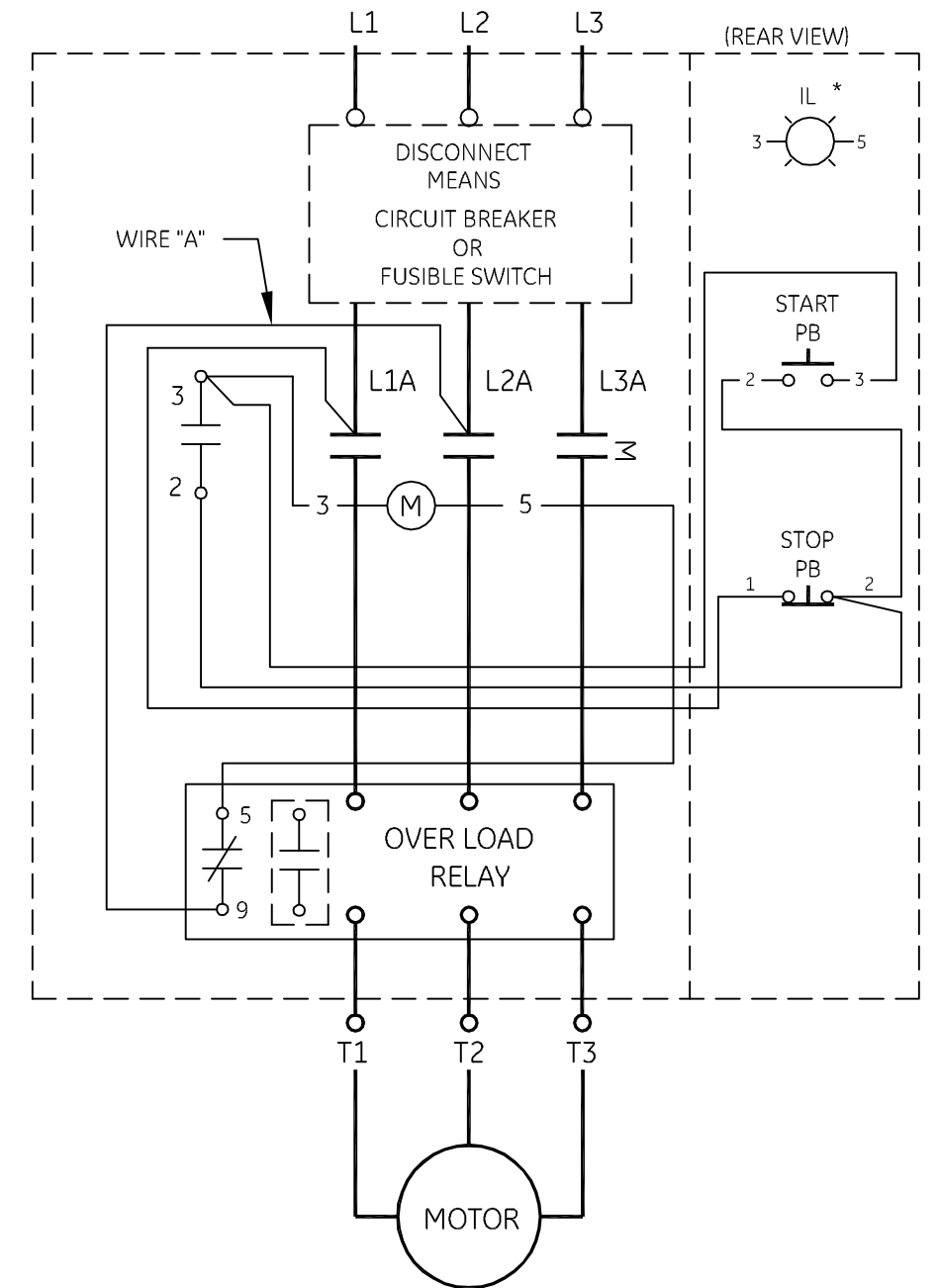
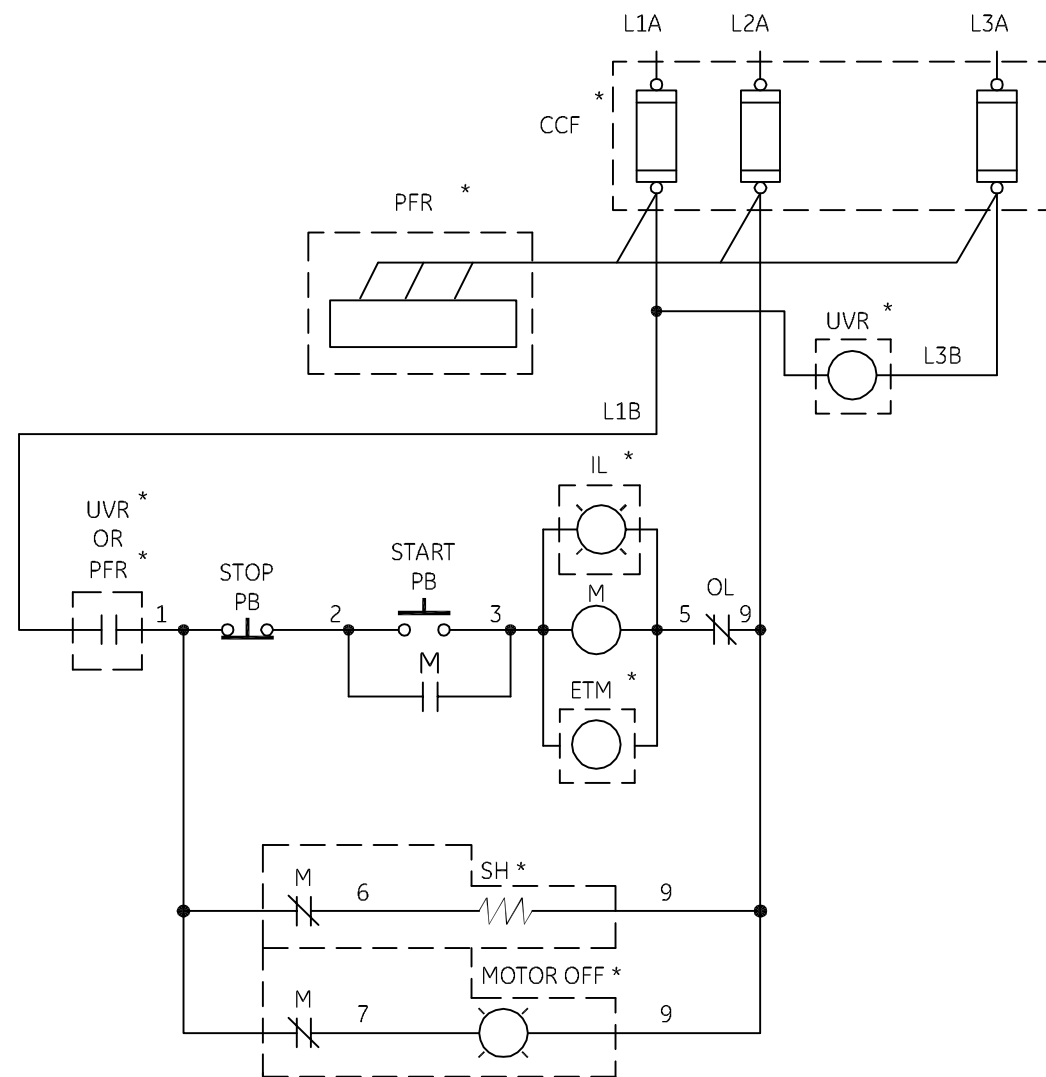
NOMENCLATURE

CCF CONTROL CIRCUIT FUSING  
 IL INDICATING LIGHT  
 M MOTOR CONTACTOR  
 OL THERMAL OVERLOAD RELAY  
 PB PUSHBUTTON  
 PFR PHASE FAILURE RELAY  
 UVR UNDERVOLTAGE RELAY  
 \* IF USED  
 ETM ELAPSED TIME METER  
 SH SPACE HEATER  
 G GREEN  
 R RED

NOTE: REFER TO THE NATIONAL ELECTRICAL CODE. ADDITIONAL CONTROL CIRCUIT OVER-CURRENT PROTECTION MAY BE REQUIRED.

\*\* FOR THREE PHASE USE 3 HEATERS.  
 FOR SINGLE PHASE USE 2 HEATERS AND  
 CONNECT LINES TO L1 AND L3. LOAD TO  
 T1 AND T3. MOVE WIRE "A" FROM L2A TO L3A.

SIZE	CR340		CR341	
	LINE	LOAD	LINE	LOAD
1	AS MARKED	20 LB-IN	35 LB-IN	20 LB-IN
2	AS MARKED	50 LB-IN	50 LB-IN	50 LB-IN
3	AS MARKED	150 LB-IN	50 LB-IN	150 LB-IN
4	AS MARKED	200 LB-IN	275 LB-IN	200 LB-IN
5	AS MARKED	300 LB-IN	AS MARKED	300 LB-IN



WIRING DIAGRAM  
 PUMP PANEL (CR340, 341)

AN #	THIRD ANGLE PROJECTION	SHEET #	DWG NO.	DATE	REV
09-9121		1 OF 1	55-536142	10/06/2009	5