

-NOMENCLATURE-
 F-FAST CONTACTOR
 S-SLOW CONTACTOR
 OL-THERMAL OVERLOAD RELAY
 I-INDICATING LIGHT
 FU-FUSE
 X-INDICATES CONTACT CLOSED
 ALTERNATE LEGENDS FOR FAST AND SLOW
 ARE HIGH AND LOW

NOTE: ADDITIONAL OVER-CURRENT PROTECTION
 MAY BE REQUIRED. REFER TO THE
 NATIONAL ELECTRICAL CODE OR LOCAL
 ELECTRICAL CODE AS REQUIRED.

GROUND KIT

| | |
|------------------|---------------|
| 1/2-IN CONDUIT | 55-213403G001 |
| 3/4-IN CONDUIT | 55-213403G002 |
| 1-IN CONDUIT | 55-213403G003 |
| 1 1/4-IN CONDUIT | 55-213403G004 |
| 1 1/2-IN CONDUIT | 55-213403G005 |
| 2-IN CONDUIT | 55-213403G006 |
| 2 1/2-IN CONDUIT | 55-213403G007 |
| 3-IN CONDUIT | 55-213403G008 |

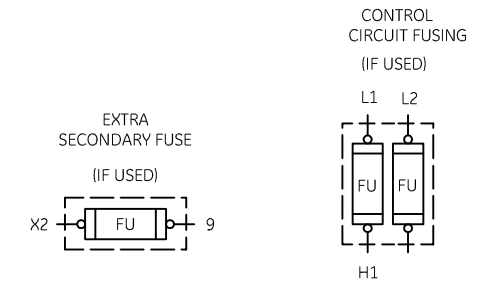
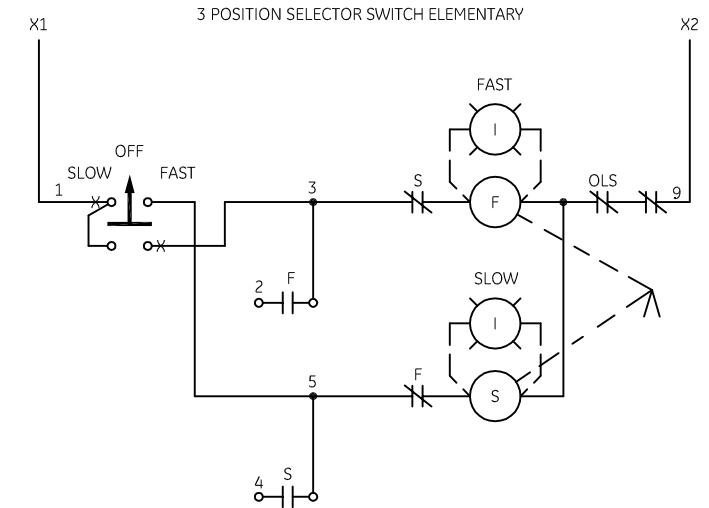
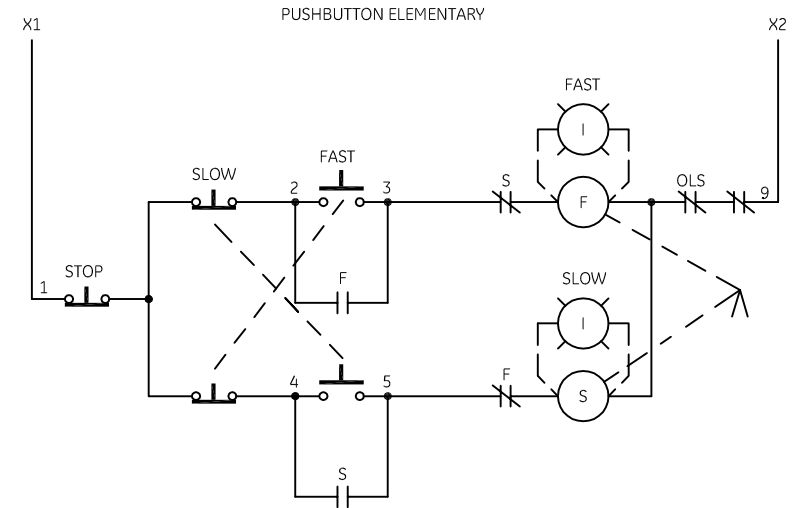
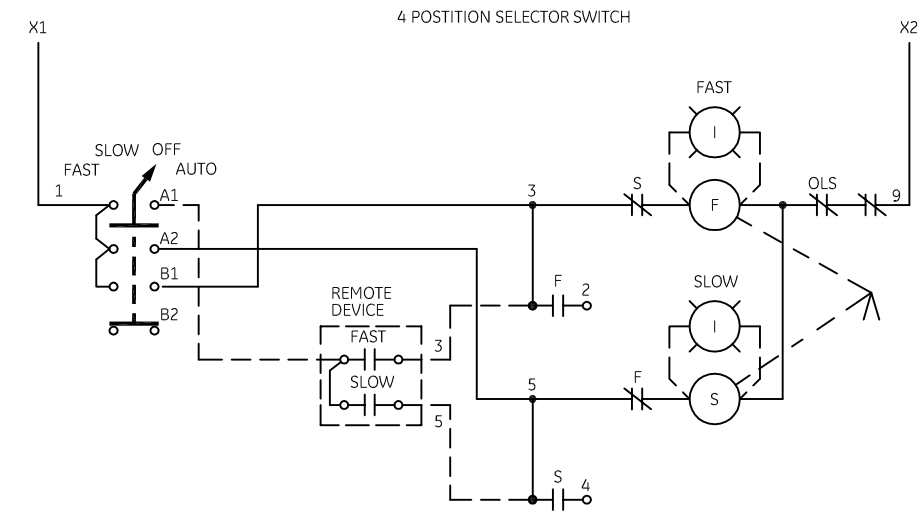
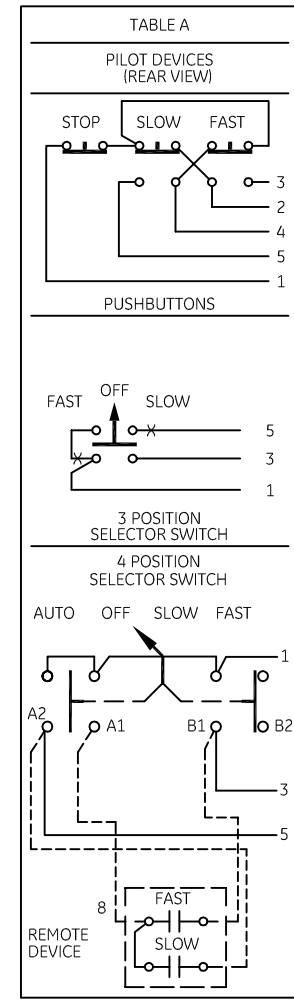
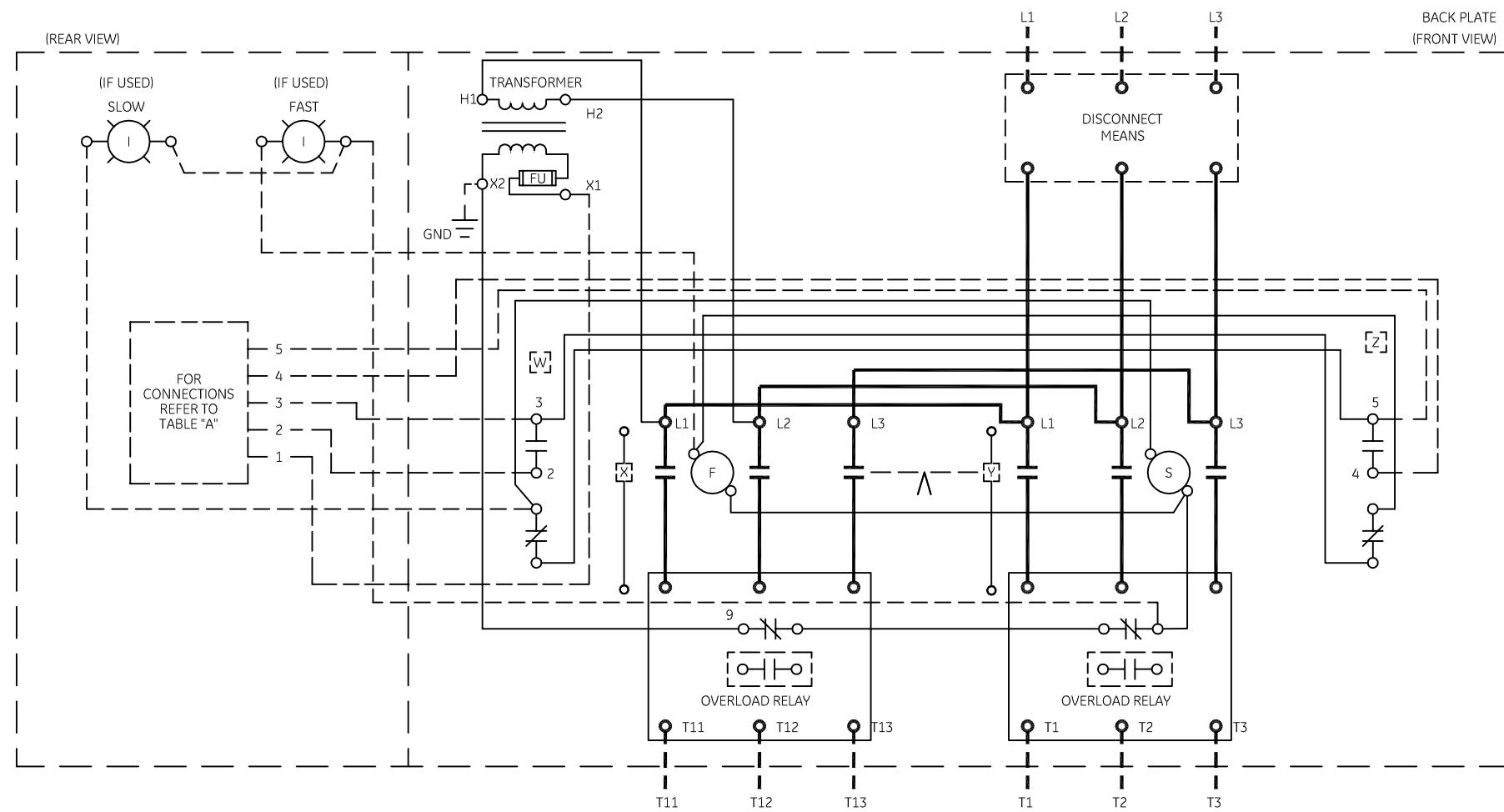
FOR EXTRA AUXILIARY CONTACTS- A MAXIMUM OF 4
 CONTACTS MAY BE ADDED AT POSITIONS
 W,X,Y,&Z.

FOR CONTROLLER WITHOUT DISCONNECT MEANS-WIRE
 LINE DIRECT TO L1, L2 AND L3 ON CONTROLLER.

| USE 75°C COPPER CONDUCTORS ONLY, FOR FIELD WIRING. TORQUE LINE AND LOAD TERMINALS AS MARKED OR AS SHOWN AT RIGHT: | LINE | LOAD |
|--|-----------|----------|
| CR306 | 20 LB-IN | 20 LB-IN |
| CR307 | AS MARKED | 20 LB-IN |
| CR308 | 35 LB-IN | 20 LB-IN |
| CR389 | AS MARKED | 20 LB-IN |

SELECTOR SWITCH

| CONTACT | POSITION | | | |
|---------|----------|------|-----|------|
| | FAST | SLOW | OFF | AUTO |
| A1 | | | | X |
| A2 | | X | | |
| B1 | X | | | |
| B2 | | | X | |



GE imagination at work

WIRING DIAGRAM
 2 SPEED - 2 WINDING SIZE 0 & 1

| | | |
|---------|------------------------|---------|
| AN # | THIRD ANGLE PROJECTION | SHEET # |
| 09-9115 | | 1 OF 1 |

| | | |
|-----------|------------|-----|
| DWG NO. | DATE | REV |
| 55-536181 | 09/08/2009 | 5 |