

-NOMENCLATURE-  
 FLS-FORWARD LIMIT SWITCH  
 RLS-REVERSE LIMIT SWITCH  
 F&R-LINE CONTACTORS MECHANICALLY  
 AND ELECTRICALLY INTERLOCKED  
 OL-OVERLOAD RELAY  
 I-INDICATING LIGHT  
 FU-FUSE

WIRE B AND C HAVE BEEN OMITTED AT  
 FACTORY, IF LIMIT SWITCHES ARE NOT  
 USED, WIRES B AND C MUST BE ADDED.

	LINE	LOAD
USE 75°C, COPPER CON-	CR309	20 LB-IN
DUCTORS ONLY, FOR FIELD	CR310	AS MARKED
WIRING. TORQUE LINE AND	CR311	35 LB-IN
LOAD TERMINALS AS	CR390	AS MARKED
SHOWN AT RIGHT:		20 LB-IN

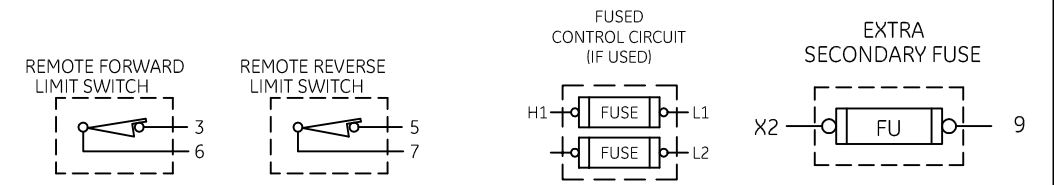
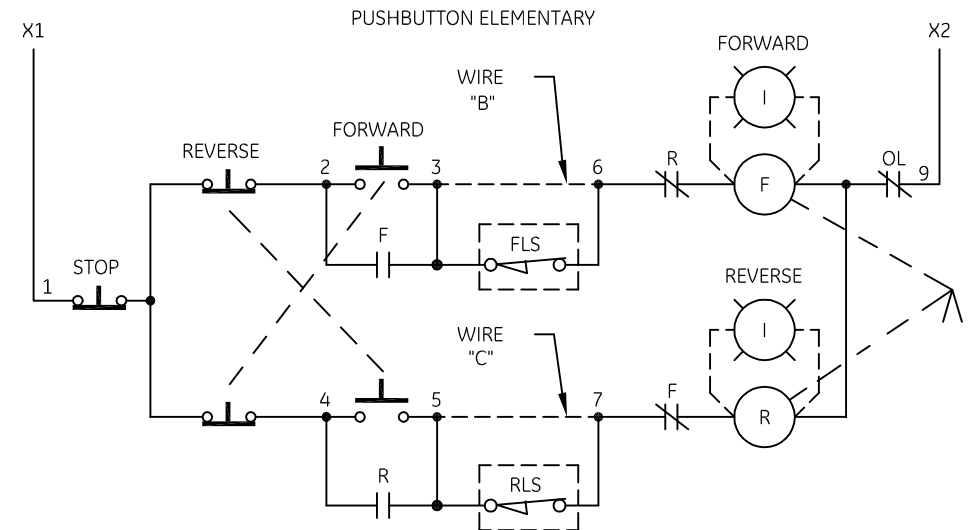
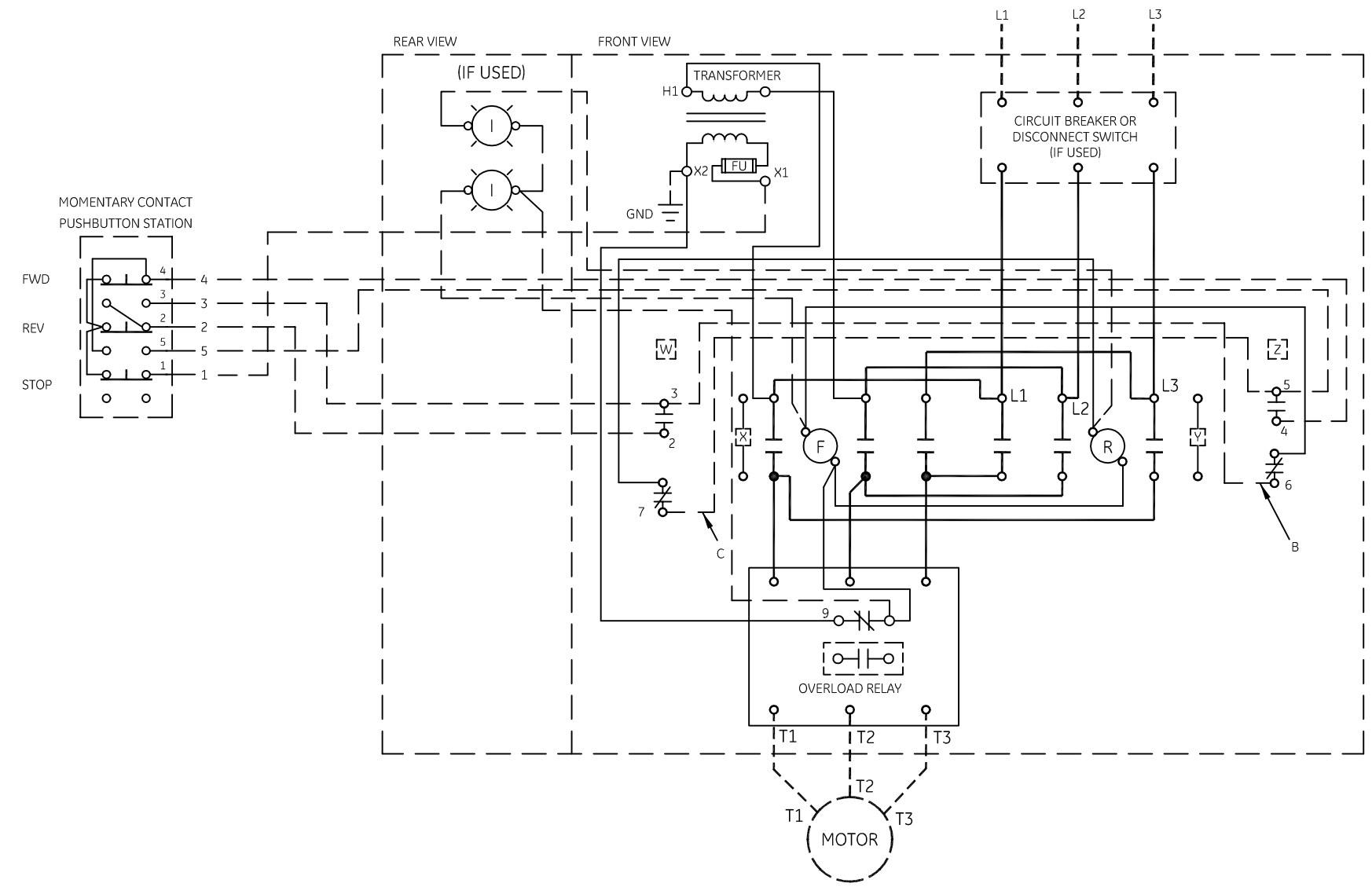
FOR EXTRA AUXILIARY CONTACTS A MAXIMUM  
 OF 4 CONTACTS MAY BE ADDED AT POSITIONS  
 W,X,Y & Z.

NOTE: ADDITIONAL OVER-CURRENT PROTECTION  
 MAY BE REQUIRED. REFER TO THE  
 NATIONAL ELECTRICAL CODE OR LOCAL  
 ELECTRICAL CODE AS REQUIRED.

GROUND KIT

1/2-IN CONDUIT	55-213403G001
3/4-IN CONDUIT	55-213403G002
1-IN CONDUIT	55-213403G003
1 1/4-IN CONDUIT	55-213403G004
1 1/2-IN CONDUIT	55-213403G005
2-IN CONDUIT	55-213403G006
2 1/2-IN CONDUIT	55-213403G007
3-IN CONDUIT	55-213403G008

ALTERNATE MARKINGS FOR FORWARD AND  
 REVERSE ARE OPEN AND CLOSE, AND  
 UP AND DOWN.



GE imagination at work

WIRING DIAGRAM  
 REVERSER SIZE 0 & 1

AN #	THIRD ANGLE PROJECTION	SHEET #	DWG NO.	DATE	REV
09-9115		1 OF 1	55-536189	09/08/2009	2