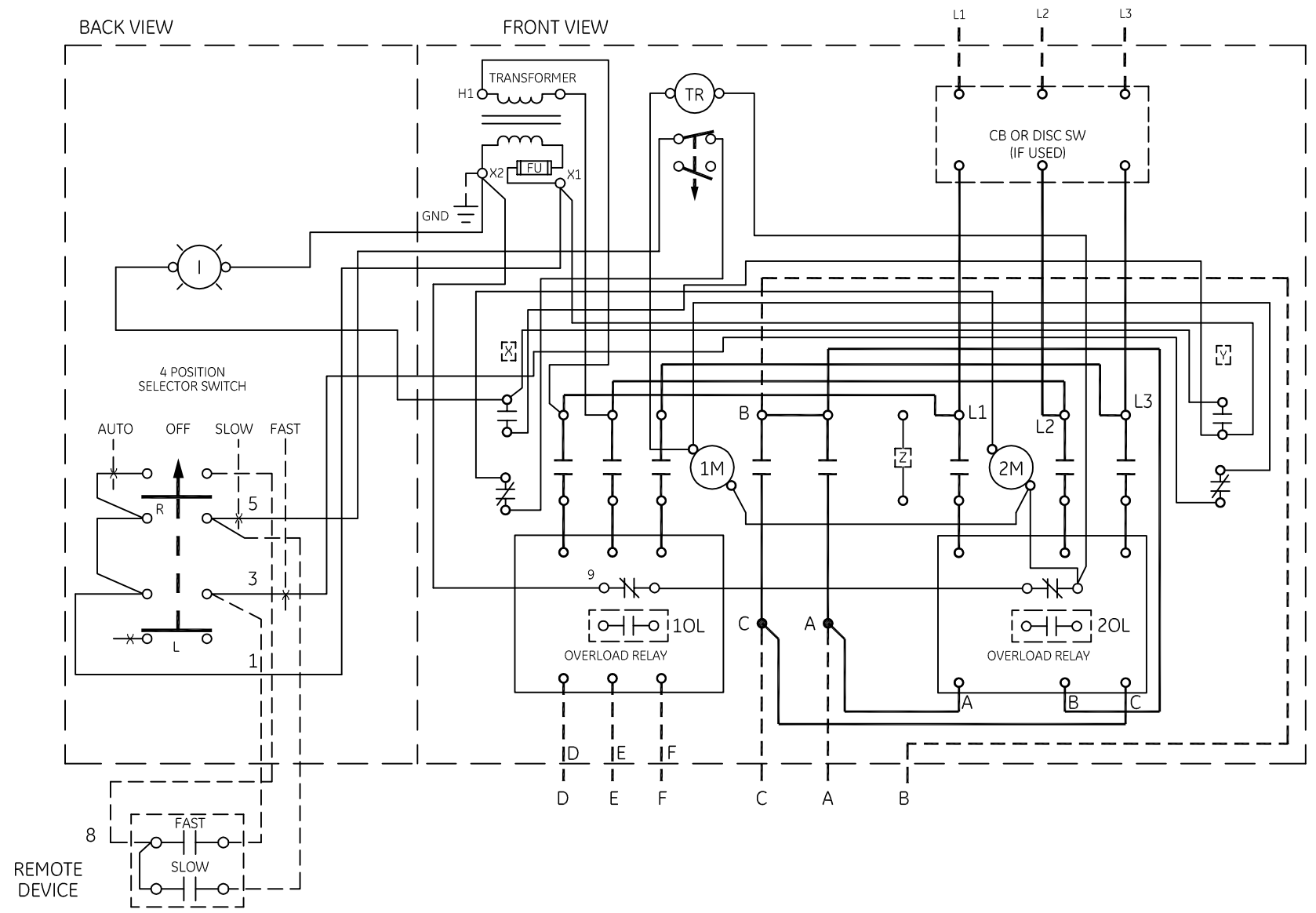


BACK VIEW

FRONT VIEW



ALTERNATIVE LEGENDS FOR FAST AND SLOW ARE HIGH AND LOW.

-NOMENCLATURE-
 1M&2M-SPEED CONTACTORS MECHANICALLY & ELECTRICALLY INTERLOCKED.
 OL-OVERLOAD RELAYS
 I-INDICATING LIGHT
 FU-FUSE
 TR-TIMER

NOTE: ADDITIONAL OVER-CURRENT PROTECTION MAY BE REQUIRED. REFER TO THE NATIONAL ELECTRICAL CODE OR LOCAL ELECTRICAL CODE AS REQUIRED.

	LINE	LOAD
USE 75°C, COPPER CONDUCTORS ONLY, FOR FIELD WIRING. TORQUE LINE AND LOAD TERMINALS AS SHOWN AT RIGHT:	CR309 20 LB-IN	20 LB-IN
	CR310 AS MARKED	20 LB-IN
	CR311 35 LB-IN	20 LB-IN
	CR390 AS MARKED	20 LB-IN

GROUND KIT

1/2-IN CONDUIT	55-213403G001
3/4-IN CONDUIT	55-213403G002
1-IN CONDUIT	55-213403G003
1 1/4-IN CONDUIT	55-213403G004
1 1/2-IN CONDUIT	55-213403G005
2-IN CONDUIT	55-213403G006
2 1/2-IN CONDUIT	55-213403G007
3-IN CONDUIT	55-213403G008

SELECTOR SWITCH

CONTACT	POSITION			
	FAST	SLOW	OFF	AUTO
A1				X
A2		X		
B1	X			
B2			X	

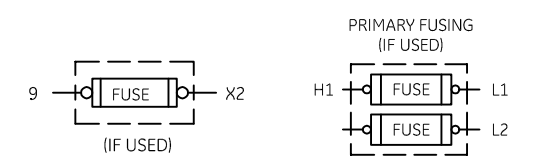
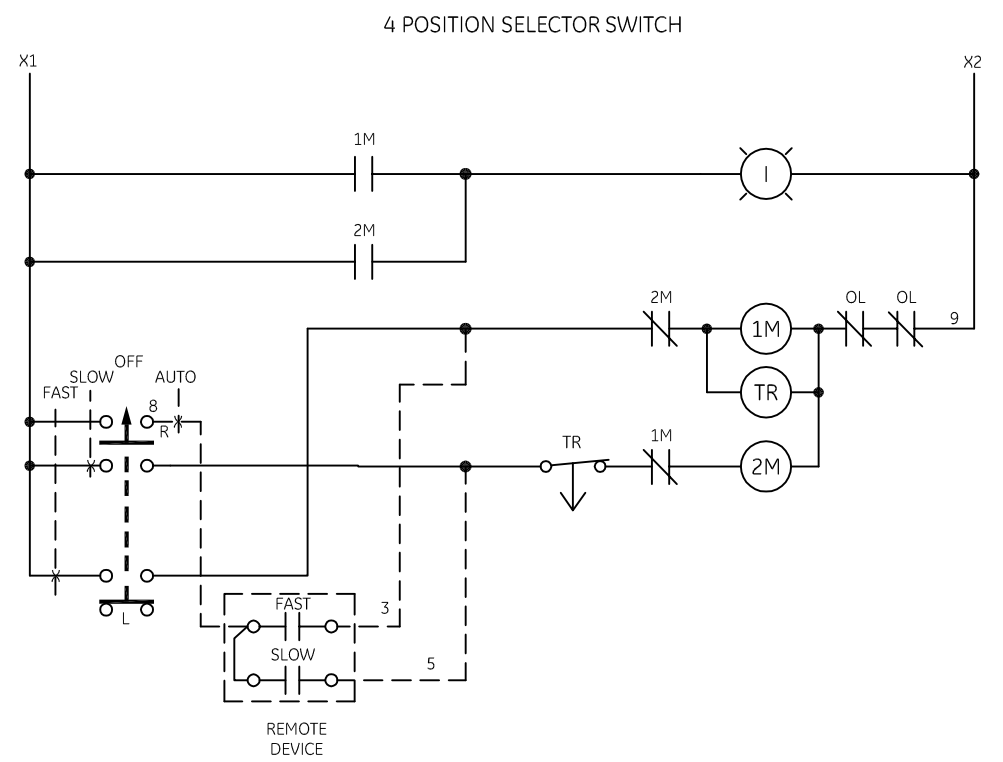
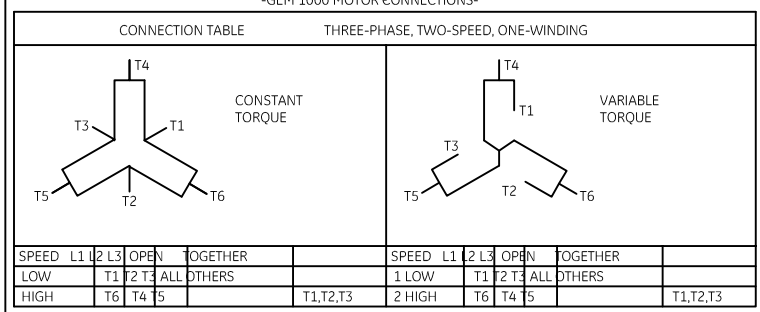
CONNECTION TABLE

PANEL	A	B	C	D	E	F
MOTOR	T1	T2	T3	T6	T4	T5

INSTALL OVERLOAD HEATERS

FOR	LOW SPEED	HIGH SPEED
IN	2OL	1OL

-GEM 1000 MOTOR CONNECTIONS-



GE imagination at work

WIRING DIAGRAM
 2 SPEED - 1 WINDING SIZE 0 & 1

AN #	THIRD ANGLE PROJECTION	SHEET #	DWG NO.	DATE	REV
09-9115		1 OF 1	55-536301	09/08/2009	3