

-GEM 1000 MOTOR CONNECTIONS-

THREE-PHASE, TWO-SPEED, ONE-WINDING

CONSTANT TORQUE		VARIABLE TORQUE	

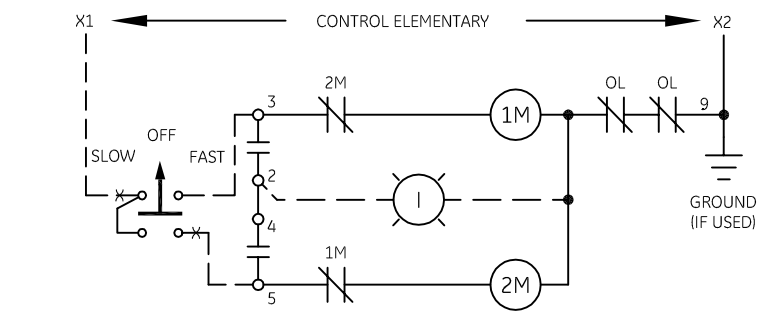
SPEED	L1	L2	L3	OPEN	TOGETHER	SPEED	L1	L2	L3	OPEN	TOGETHER
1 LOW	T1	T2	T3	ALL	OTHERS	1 LOW	T1	T2	T3	ALL	OTHERS
2 HIGH	T6	T4	T5		T1,T2,T3	2 HIGH	T6	T4	T5		T1,T2,T3

INSTALL OVERLOAD HEATERS

FOR	LOW SPEED	HIGH SPEED
IN	2OL	1OL

CONNECTION TABLE

PANEL	A	B	C	D	E	F
MOTOR	T1	T2	T3	T6	T4	T5



-NOMENCLATURE-
 1M&2M-SPEED CONTACTORS MECHANICALLY & ELECTRICALLY INTERLOCKED.
 OL-OVERLOAD RELAYS
 I-INDICATING LIGHT
 FU-FUSE
 X-INDICATES CONTACT CLOSED

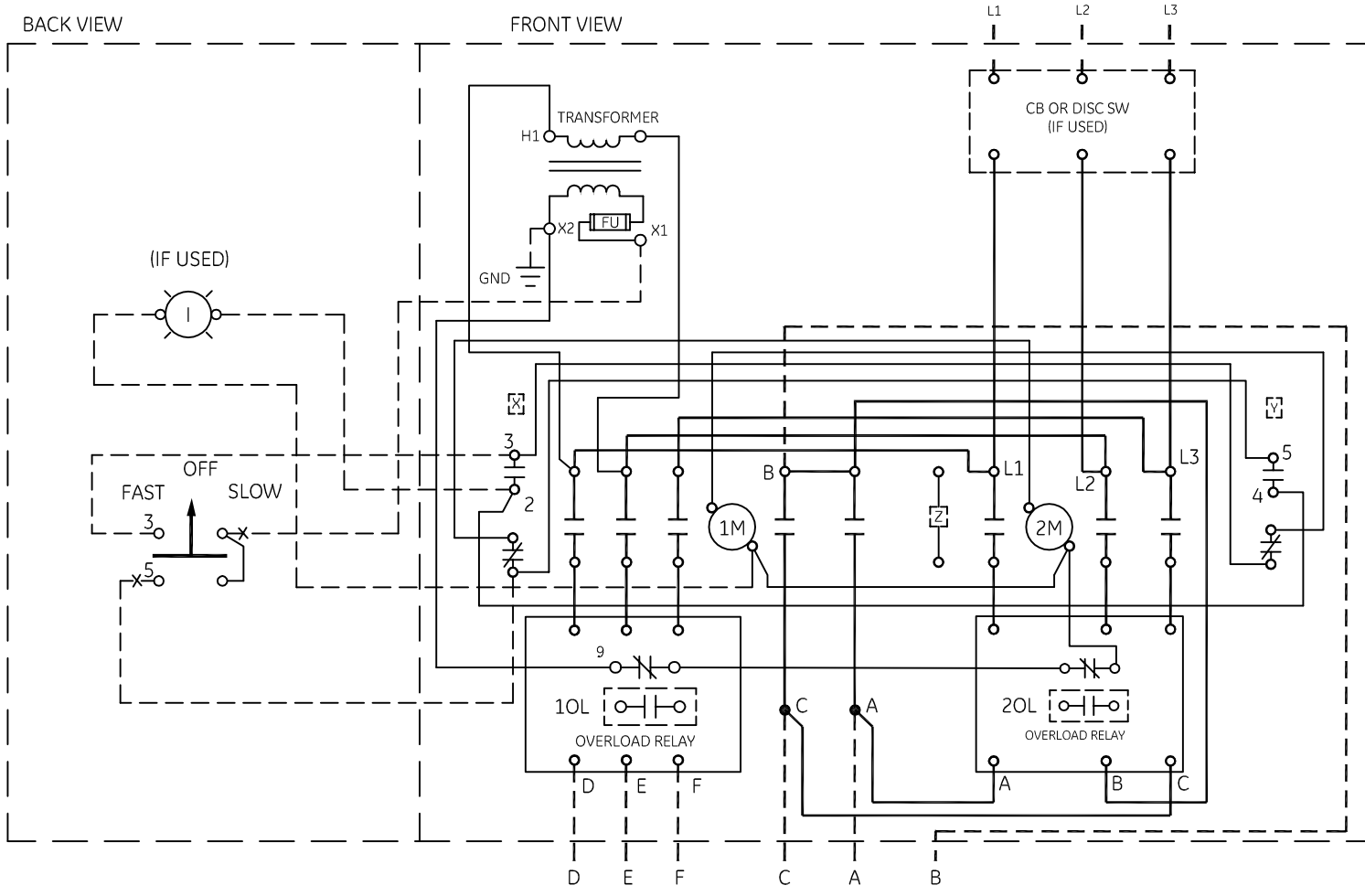
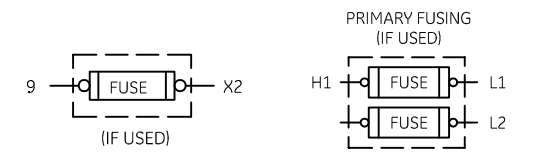
ALTERNATIVE LEGENDS FOR FAST AND SLOW ARE HIGH AND LOW.

NOTE: ADDITIONAL OVER-CURRENT PROTECTION MAY BE REQUIRED. REFER TO THE NATIONAL ELECTRICAL CODE OR LOCAL ELECTRICAL CODE AS REQUIRED.

	LINE	LOAD
USE 75°C, COPPER CONDUCTORS ONLY, FOR FIELD WIRING. TORQUE LINE AND LOAD TERMINALS AS SHOWN AT RIGHT:	CR309 20 LB-IN	20 LB-IN
	CR310 AS MARKED	20 LB-IN
	CR311 35 LB-IN	20 LB-IN
	CR390 AS MARKED	20 LB-IN

GROUND KIT

- 1/2-IN CONDUIT 55-213403G001
- 3/4-IN CONDUIT 55-213403G002
- 1-IN CONDUIT 55-213403G003
- 1 1/4-IN CONDUIT 55-213403G004
- 1 1/2-IN CONDUIT 55-213403G005
- 2-IN CONDUIT 55-213403G006
- 2 1/2-IN CONDUIT 55-213403G007
- 3-IN CONDUIT 55-213403G008

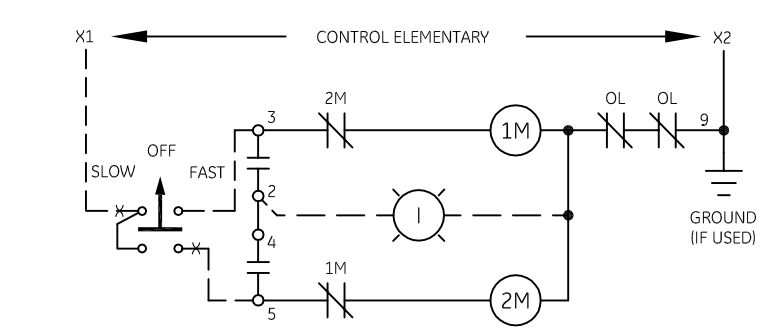


GEM 1000 MOTOR CONNECTIONS

THREE-PHASE, TWO SPEED, ONE-WINDING

CONSTANT HORSEPOWER	

SPEED	L1	L2	L3	OPEN	TOGETHER
1 LOW	T1	T2	T3		T4,T5,T6
2 HIGH	T6	T4	T5		T1,T2,T3



AN #	THIRD ANGLE PROJECTION	SHEET #
09-9115		1 OF 1

imagination at work

WIRING DIAGRAM
 2 SPEED - 1 WINDING SIZE 0 & 1

DWG NO.	DATE	REV
55-536305	09/08/2009	2