

-NOMENCLATURE-

OL - THERMAL OVERLOAD RELAY
 FLS - FORWARD LIMIT SWITCH
 RLS - REVERSE LIMIT SWITCH
 F&R - LINE CONTACTORS MECHANICALLY
 AND ELECTRICALLY INTERLOCKED
 FU-FUSE
 I-INDICATING LIGHT
 X-INDICATES CONTACT CLOSED

FOR 2 PHASE, 3 WIRE OPERATION-
 L2 IS COMMON LINE. CONNECT
 MOTOR T1 TO CONTROLLER T1, MOTOR
 T3 & T4 TO CONTROLLER T2, AND
 MOTOR T2 TO CONTROLLER T3.
 2 PHASE FORMS HAVE SAME RATING AS
 3 PHASE FORMS.

NOTE: ADDITIONAL OVER-CURRENT PROTECTION
 MAY BE REQUIRED. REFER TO THE
 NATIONAL ELECTRICAL CODE OR LOCAL
 ELECTRICAL CODE AS REQUIRED.

USE 75°C, COPPER CON-
 DUCTORS ONLY, FOR FIELD
 WIRING. TORQUE LINE AND
 LOAD TERMINALS AS
 SHOWN AT RIGHT:

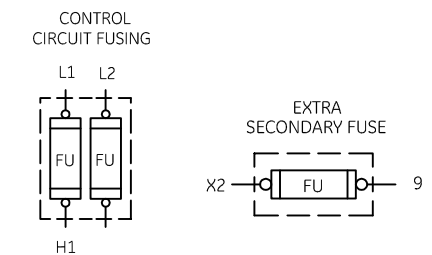
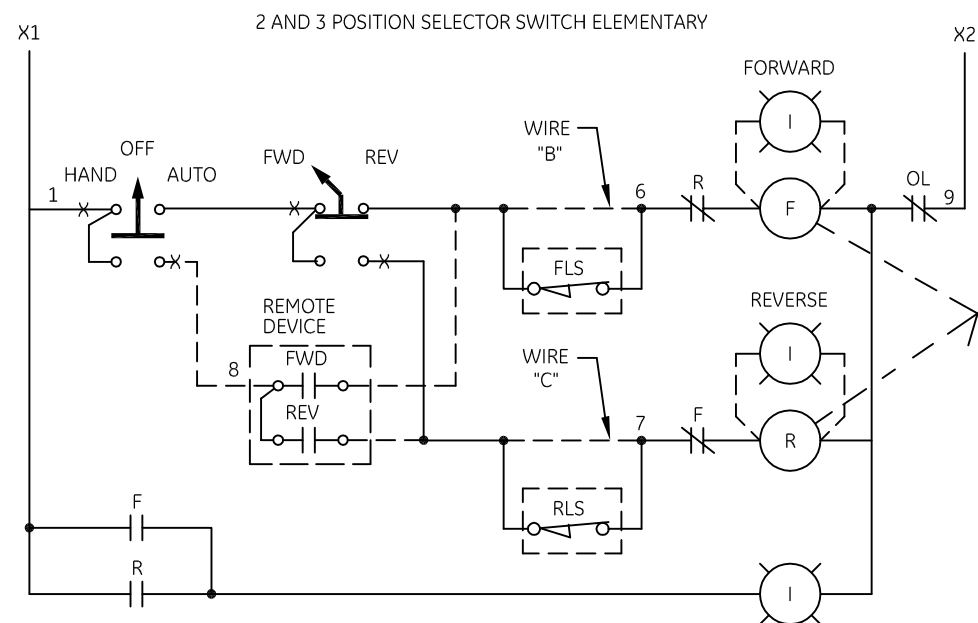
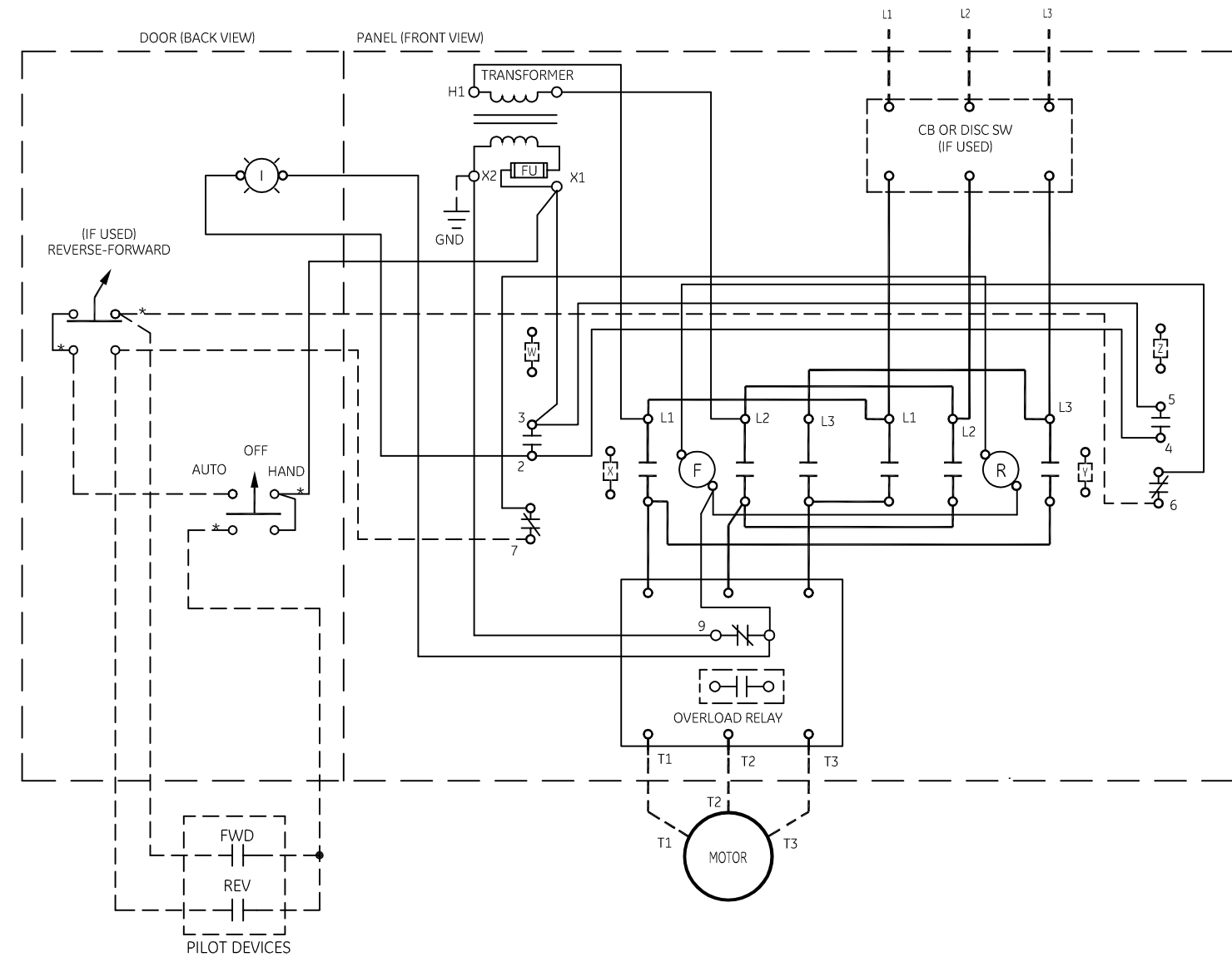
	LINE	LOAD
CR309	20 LB-IN	20 LB-IN
CR310	AS MARKED	20 LB-IN
CR311	35 LB-IN	20 LB-IN
CR390	AS MARKED	20 LB-IN

GROUND KIT

1/2-IN CONDUIT	55-213403G001
3/4-IN CONDUIT	55-213403G002
1-IN CONDUIT	55-213403G003
1 1/4-IN CONDUIT	55-213403G004
1 1/2-IN CONDUIT	55-213403G005
2-IN CONDUIT	55-213403G006
2 1/2-IN CONDUIT	55-213403G007
3-IN CONDUIT	55-213403G008

ALTERNATE MARKINGS FOR FORWARD AND
 REVERSE ARE OPEN AND CLOSE, AND
 RAISE AND LOWER.

FOR EXTRA AUXILIARY CONTACTS A MAXIMUM
 OF 4 CONTACTS MAY BE ADDED AT POSITIONS
 W,X,Y & Z.



GE imagination at work

WIRING DIAGRAM
 REVERSER SIZE 0 & 1

AN #	THIRD ANGLE PROJECTION	SHEET #	DWG NO.	DATE	REV
09-9115		1 OF 1	55-536306	09/08/2009	3