

-NOMENCLATURE-
 1M&2M-SPEED CONTACTORS MECHANICALLY
 & ELECTRICALLY INTERLOCKED.
 OL-OVERLOAD RELAYS
 I-INDICATING LIGHT
 FU-FUSE

NOTE: ADDITIONAL OVER-CURRENT PROTECTION
 MAY BE REQUIRED. REFER TO THE
 NATIONAL ELECTRICAL CODE OR LOCAL
 ELECTRICAL CODE AS REQUIRED.

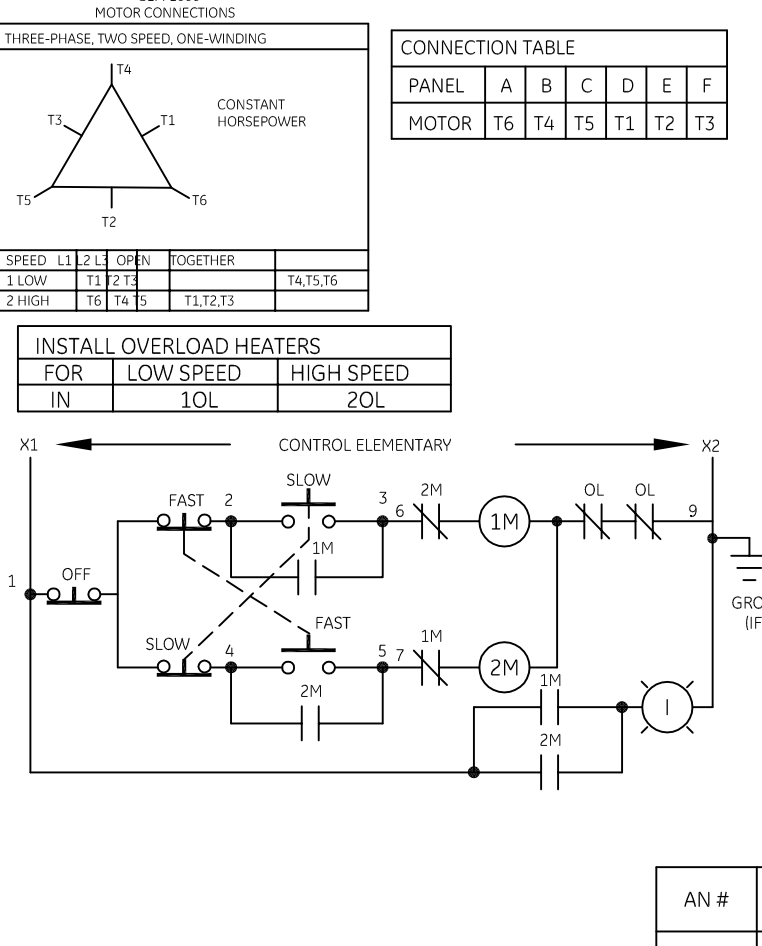
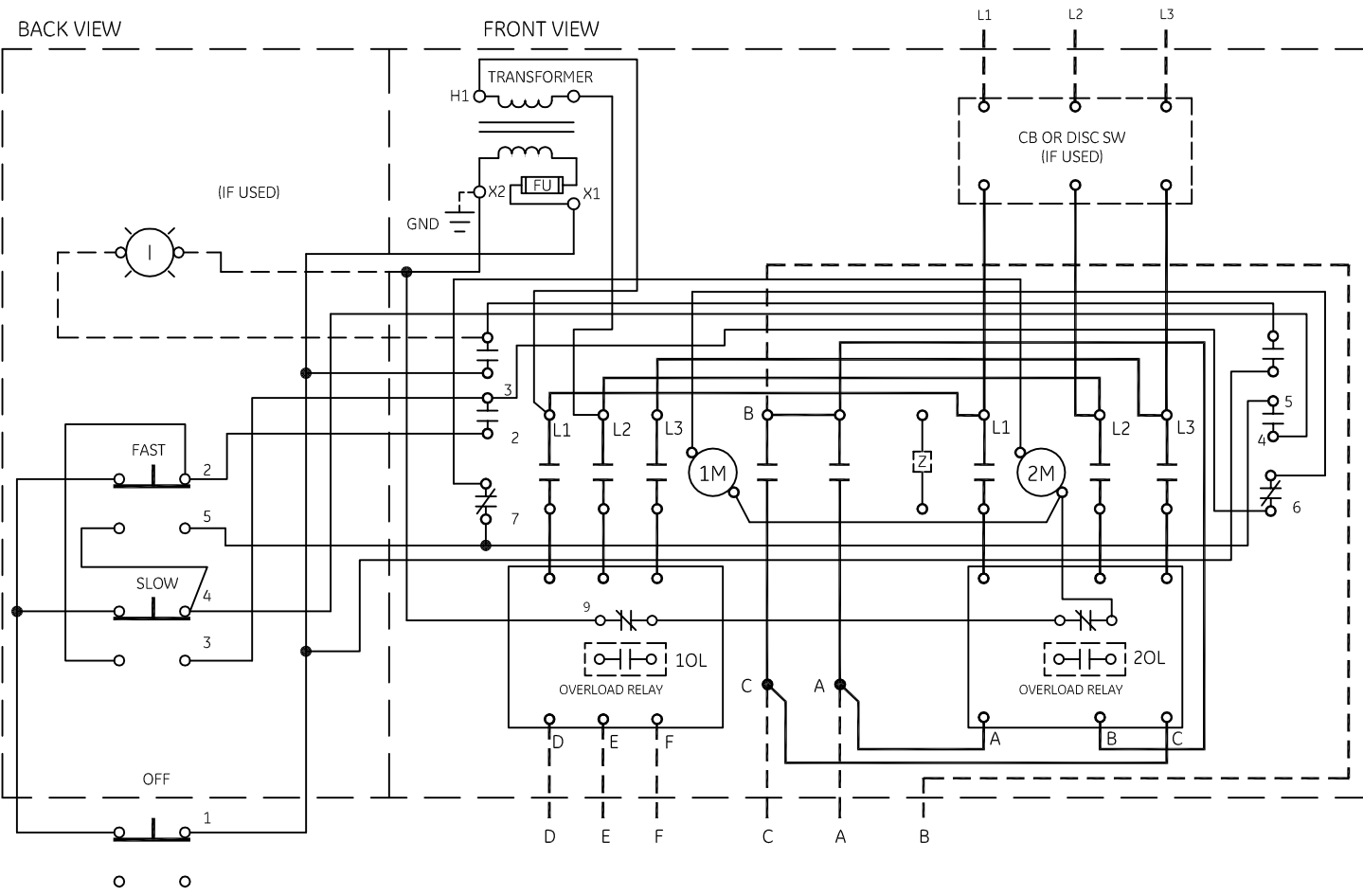
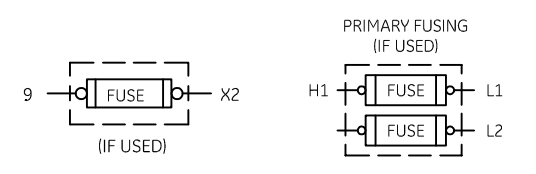
	LINE	LOAD
USE 75°C, COPPER CON-	CR309	20 LB-IN
DUCTORS ONLY, FOR FIELD	CR310	AS MARKED
WIRING, TORQUE LINE AND	CR311	35 LB-IN
LOAD TERMINALS AS	CR390	AS MARKED
SHOWN AT RIGHT:		20 LB-IN

GROUND KIT

1/2-IN CONDUIT	55-213403G001
3/4-IN CONDUIT	55-213403G002
1-IN CONDUIT	55-213403G003
1 1/4-IN CONDUIT	55-213403G004
1 1/2-IN CONDUIT	55-213403G005
2-IN CONDUIT	55-213403G006
2 1/2-IN CONDUIT	55-213403G007
3-IN CONDUIT	55-213403G008

ALTERNATIVE LEGENDS FOR FAST AND SLOW
 ARE HIGH AND LOW.

EXTRA AUXILIARY CONTACT MAY BE
 ADDED AT LOCATION Z.



AN #	THIRD ANGLE PROJECTION	SHEET #
09-9115		1 OF 1

imagination at work

WIRING DIAGRAM
 2 SPEED - 1 WINDING SIZE 0 & 1

DWG NO.	DATE	REV
55-536309	09/08/2009	2