

-NOMENCLATURE-  
 1M,2M-FAST,SLOW-SPEED CONTACTORS  
 MECHANICALLY AND ELECTRICALLY  
 INTERLOCKED.  
 OL-OVERLOAD RELAY.  
 TR-TIME DELAY RELAY  
 FU-FUSE  
 X-INDICATES CONTACT CLOSED

ALTERNATIVE LEGENDS FOR FAST AND SLOW  
 ARE HIGH AND LOW.

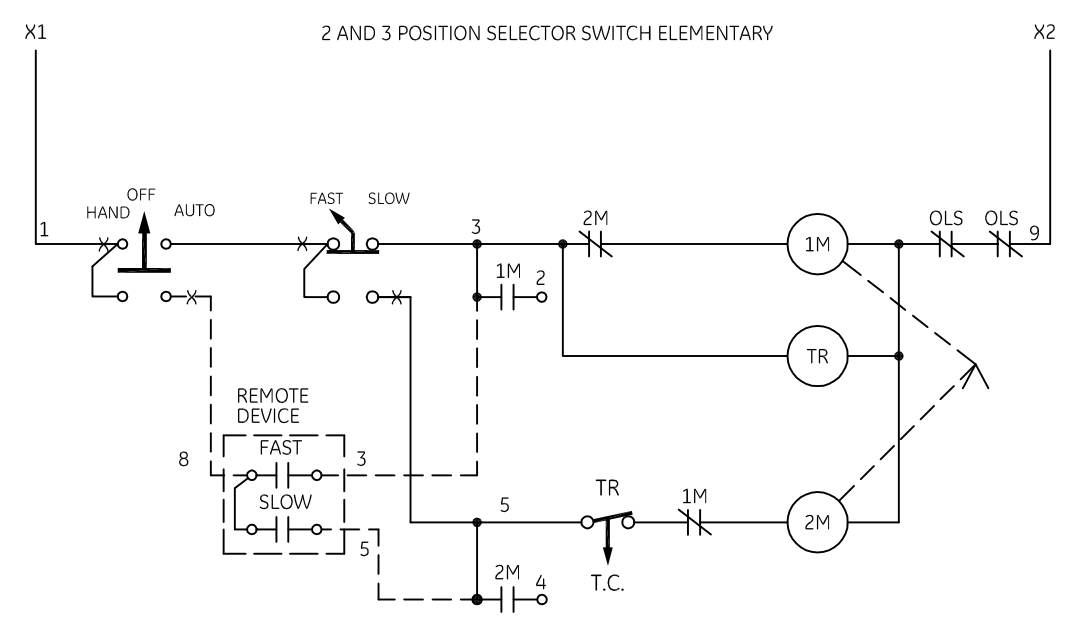
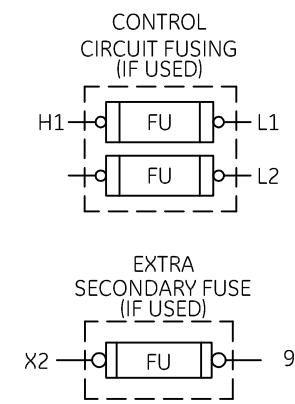
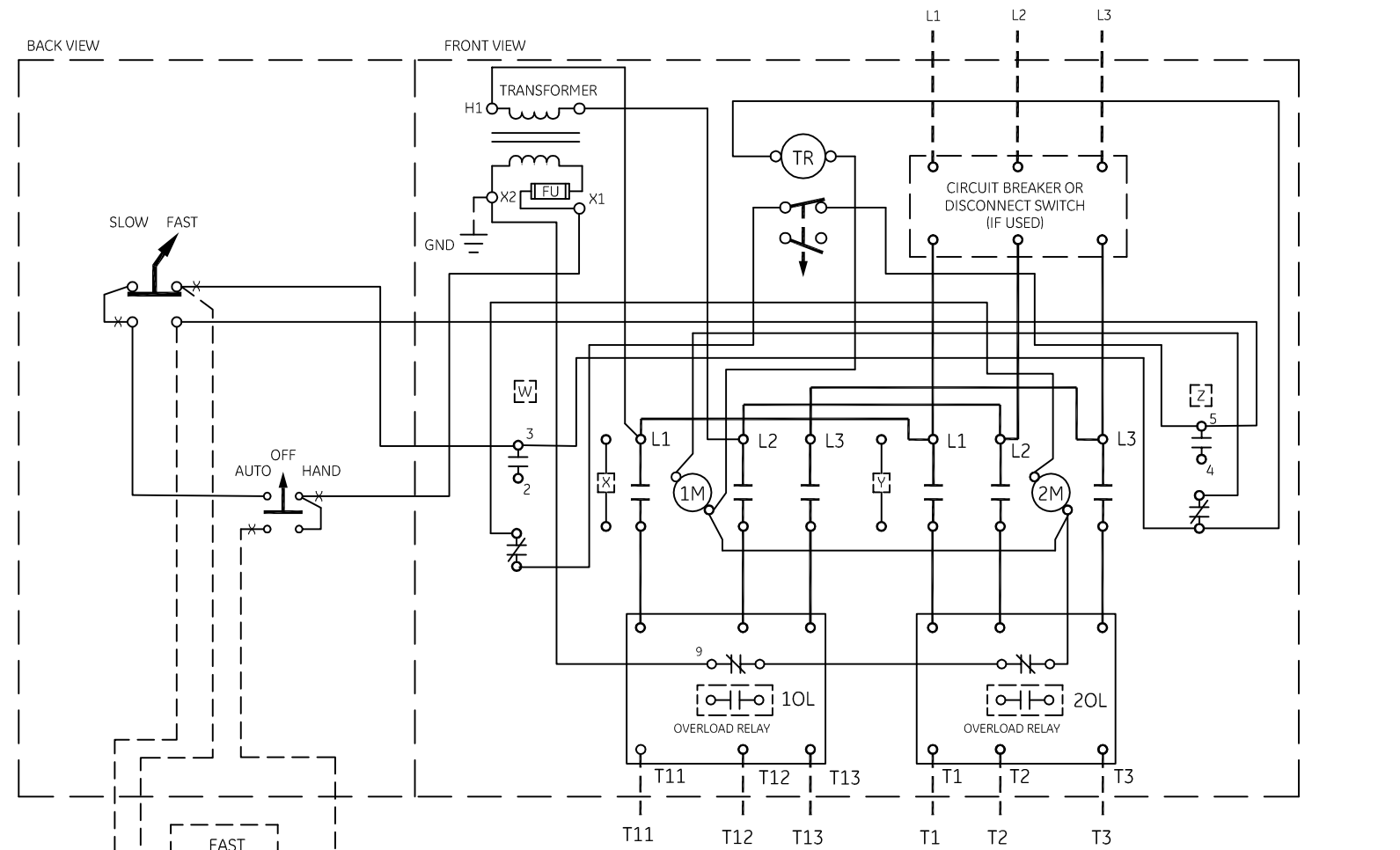
NOTE: ADDITIONAL OVER-CURRENT PROTECTION  
 MAY BE REQUIRED. REFER TO THE  
 NATIONAL ELECTRICAL CODE OR LOCAL  
 ELECTRICAL CODE AS REQUIRED.

GROUND KIT

1/2-IN CONDUIT	55-213403G001
3/4-IN CONDUIT	55-213403G002
1-IN CONDUIT	55-213403G003
1 1/4-IN CONDUIT	55-213403G004
1 1/2-IN CONDUIT	55-213403G005
2-IN CONDUIT	55-213403G006
2 1/2-IN CONDUIT	55-213403G007
3-IN CONDUIT	55-213403G008

	LINE	LOAD
USE 75°C COPPER	CR309	20 LB-IN
CONDUCTORS ONLY, FOR	CR310	AS MARKED
FIELD WIRING. TORQUE	CR311	35 LB-IN
LINE AND LOAD TERMINALS	CR390	AS MARKED
AS MARKED OR AS SHOWN		20 LB-IN
AT RIGHT:		

FOR EXTRA AUXILIARY CONTACTS A MAXIMUM  
 OF 4 CONTACTS MAY BE ADDED AT POSITIONS  
 W,X,Y & Z.



imagination at work

WIRING DIAGRAM				
2 SPEED - 2 WINDING SIZE 0 & 1				
AN #	THIRD ANGLE PROJECTION	SHEET #	DWG NO.	DATE
09-9115		1 OF 1	55-536321	09/09/2009
			REV	
				3