

-NOMENCLATURE-

FS & SS-FAST,SLOW-SPEED CONTACTORS MECHANICALLY AND ELECTRICALLY INTERLOCKED
 OL-OVERLOAD RELAY
 I-INDICATING LIGHT
 *-IF USED
 FU-FUSE

FOR SEPARATE CONTROL SOURCE-REMOVE WIRES "A" & "B" AND CONNECT SEPARATE CONTROL SOURCE TO 9 ON OL AND TO 1 ON PILOT DEVICE. WIRES "A" & "B" ARE OMITTED AT FACTORY ON ALL CONTROLLERS WITH A COIL VOLTAGE OF 120V OR LESS.

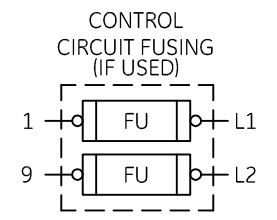
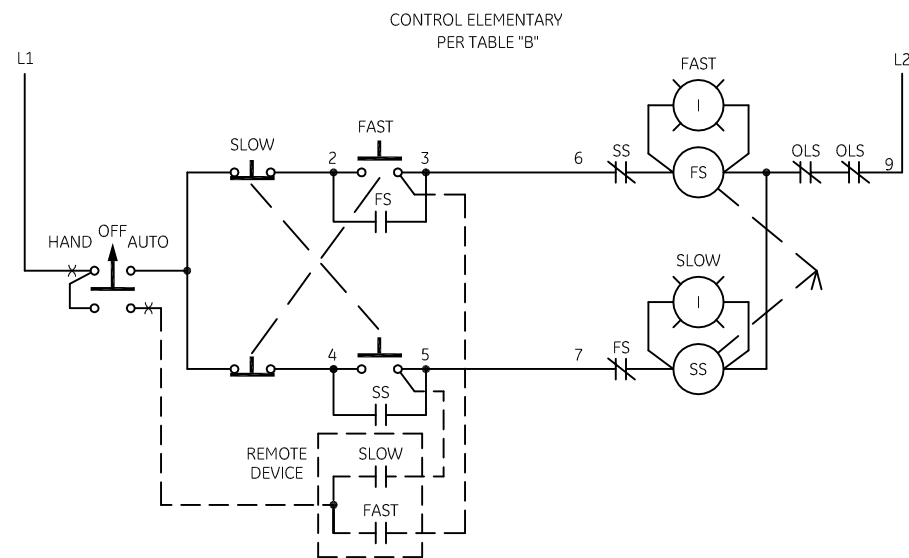
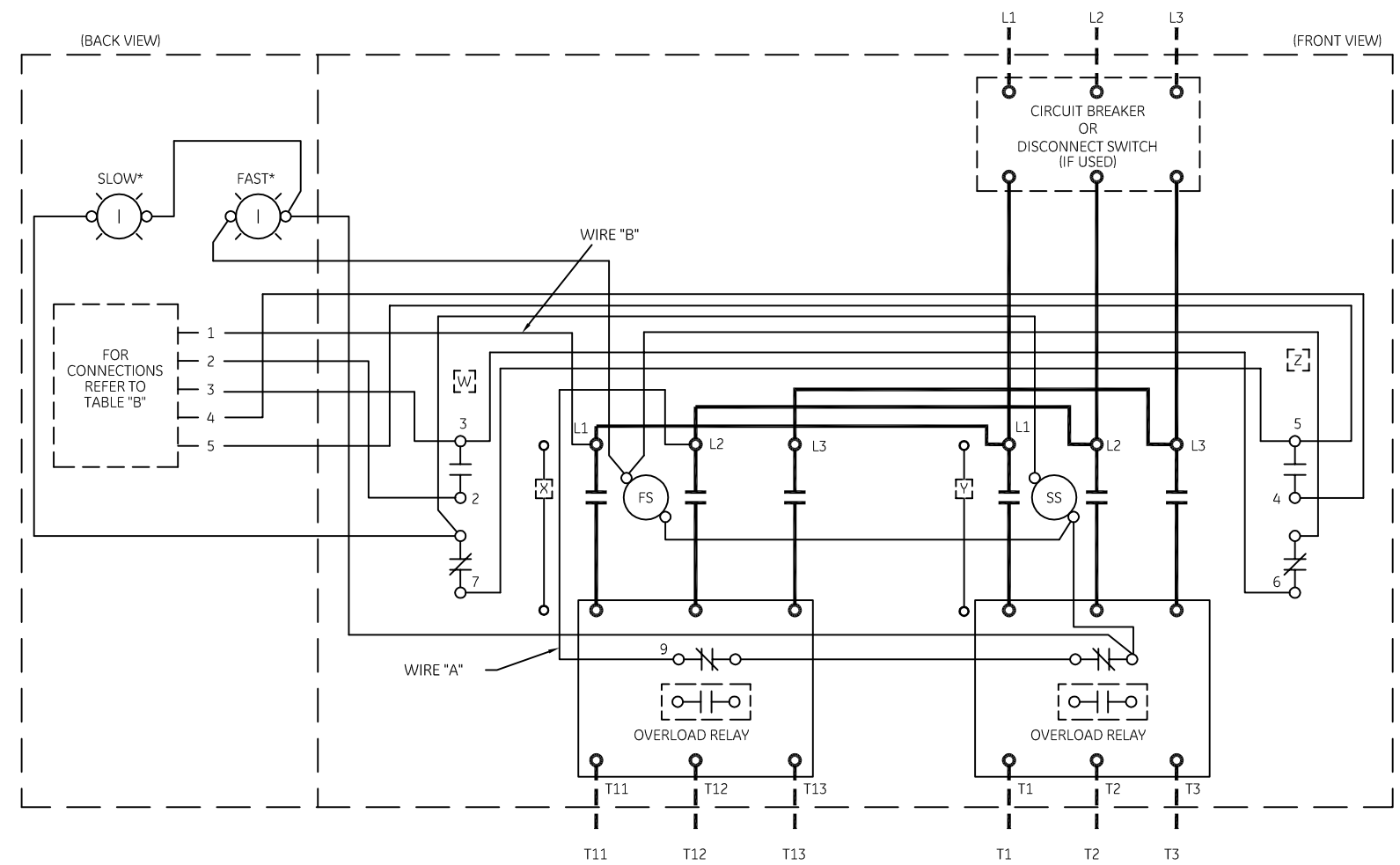
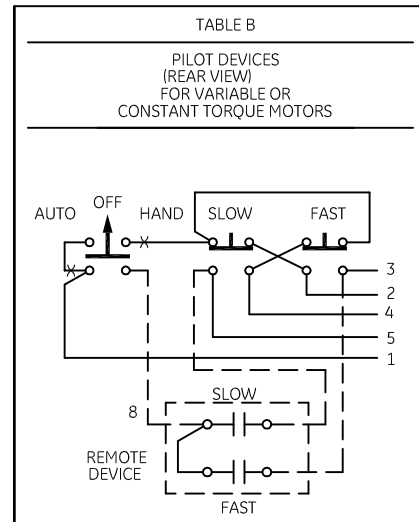
	LINE	LOAD
USE 75°C COPPER CONDUCTORS ONLY, FOR FIELD WIRING. TORQUE LINE AND LOAD TERMINALS AS MARKED OR AS SHOWN AT RIGHT:	CR309 20 LB-IN	20 LB-IN
	CR310 AS MARKED	20 LB-IN
	CR311 35 LB-IN	20 LB-IN
	CR390 AS MARKED	20 LB-IN

ALTERNATIVE LEGENDS FOR FAST AND SLOW ARE HIGH AND LOW.

NOTE: ADDITIONAL OVER-CURRENT PROTECTION MAY BE REQUIRED. REFER TO THE NATIONAL ELECTRICAL CODE OR LOCAL ELECTRICAL CODE AS REQUIRED.

GROUND KIT

1/2-IN CONDUIT	55-213403G001
3/4-IN CONDUIT	55-213403G002
1-IN CONDUIT	55-213403G003
1 1/4-IN CONDUIT	55-213403G004
1 1/2-IN CONDUIT	55-213403G005
2-IN CONDUIT	55-213403G006
2 1/2-IN CONDUIT	55-213403G007
3-IN CONDUIT	55-213403G008



GE imagination at work

WIRING DIAGRAM
 2 SPEED - 2 WINDING SIZE 0 & 1

AN #	THIRD ANGLE PROJECTION	SHEET #	DWG NO.	DATE	REV
09-9115		1 OF 1	55-536352	09/09/2009	4