

INSTALL OVERLOAD HEATERS		
FOR	LOW SPEED	HIGH SPEED
IN	20L	10L

MOTOR CONNECTIONS	SPEED	L1	L2	L3	OPEN	TOGETHER
CONSTANT TORQUE	SLOW FAST	T1 T6	T2 T4	T3 T5	T6,T4,T5	T1,T2,T3
VARIABLE TORQUE	SLOW FAST	T1 T6	T2 T4	T3 T5	T6,T4,T5	T1,T2,T3

CONNECTION TABLE	CONTROLLER TERMINALS					
	A	B	C	D	E	F
CONSTANT TORQUE	T1	T2	T3	T6	T4	T5
VARIABLE TORQUE	T1	T2	T3	T6	T4	T5

-NOMENCLATURE-
 1M,2M-FAST, SLOW-SPEED CONTACTORS
 MECHANICALLY AND ELECTRICALLY
 INTERLOCKED.
 10L,20L-OVERLOAD RELAY.
 I-INDICATING LIGHT
 TR-TIMING RELAY T.D.O.D.
 FU-FUSE
 X-INDICATES CONTACT CLOSED

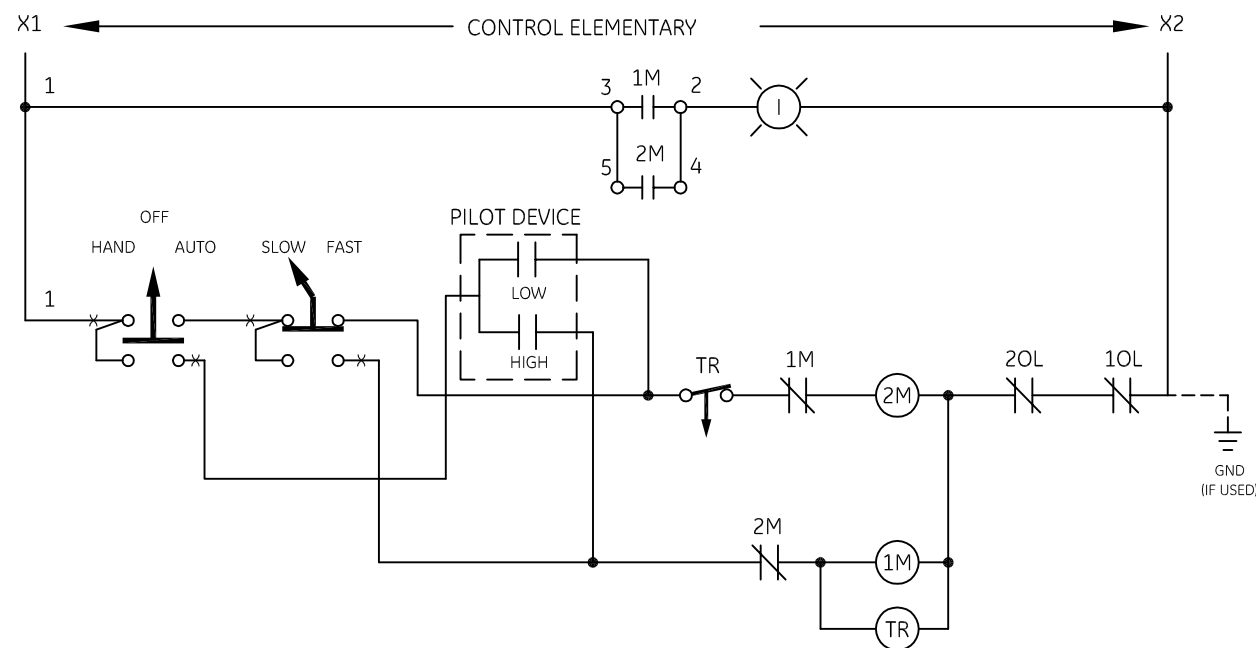
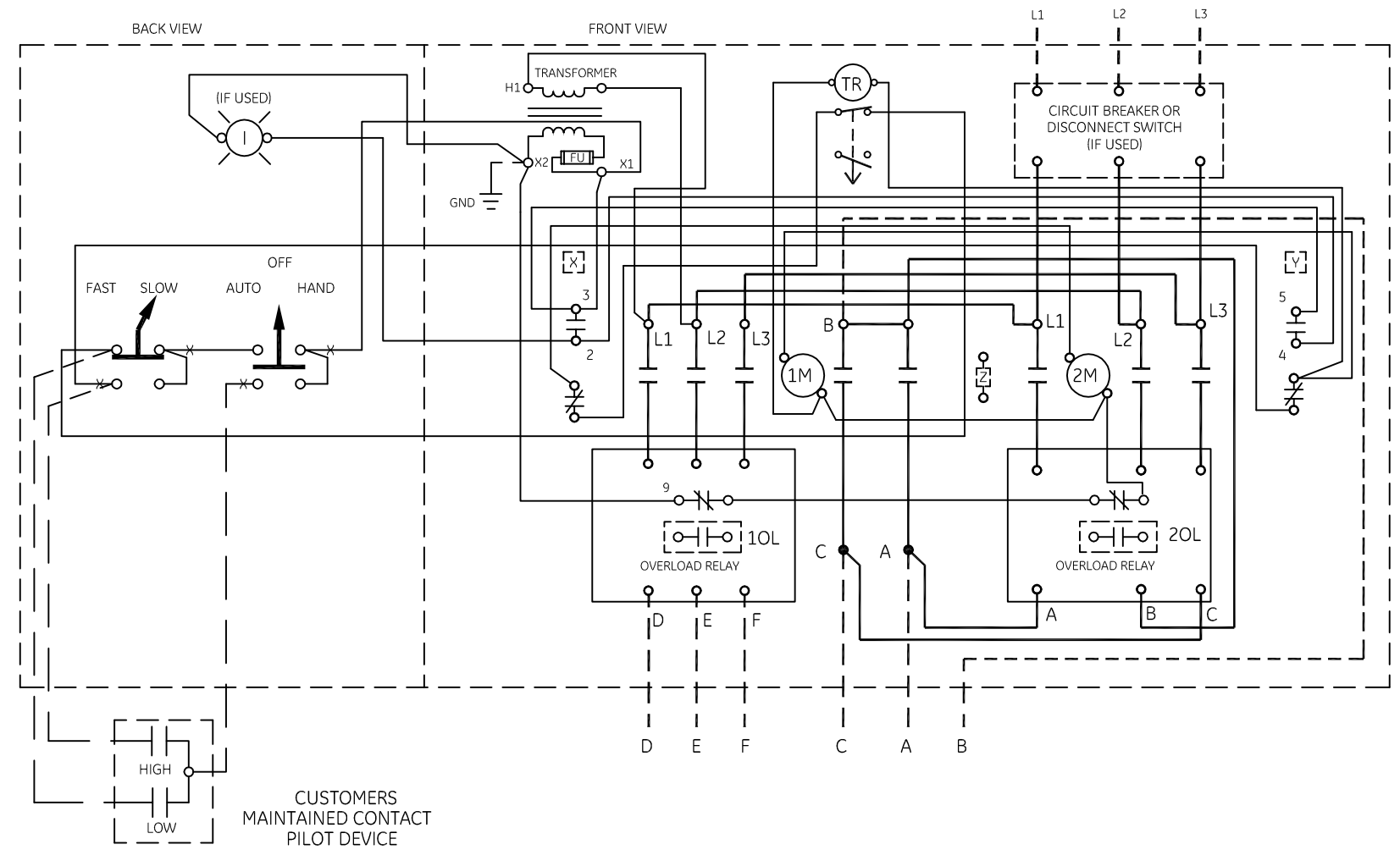
ALTERNATE LEGENDS FOR FAST AND SLOW
 ARE HIGH AND LOW

NOTE: FOR STARTER ONLY OMIT WIRING
 FROM CIRCUIT BREAKER OR DISCONNECT
 SWITCH TO STARTER AND WIRE LINE DIRECT
 TO L1, L2, AND L3 OF STARTER.

NOTE: ADDITIONAL OVER-CURRENT PROTECTION
 MAY BE REQUIRED. REFER TO THE
 NATIONAL ELECTRICAL CODE OR LOCAL
 ELECTRICAL CODE AS REQUIRED.

	LINE	LOAD
USE 75°C, COPPER CON- DUCTORS ONLY, FOR FIELD WIRING. TORQUE LINE AND LOAD TERMINALS AS SHOWN AT RIGHT:	CR309 20 LB-IN	20 LB-IN
	CR310 AS MARKED	20 LB-IN
	CR311 35 LB-IN	20 LB-IN
	CR390 AS MARKED	20 LB-IN

GROUND KIT	
1/2-IN CONDUIT	55-213403G001
3/4-IN CONDUIT	55-213403G002
1-IN CONDUIT	55-213403G003
1 1/4-IN CONDUIT	55-213403G004
1 1/2-IN CONDUIT	55-213403G005
2-IN CONDUIT	55-213403G006
2 1/2-IN CONDUIT	55-213403G007
3-IN CONDUIT	55-213403G008



imagination at work
WIRING DIAGRAM
 2 SPEED - 1 WINDING SIZE 0 & 1
 DWG NO. 55-536364 DATE 09/09/2009 REV 3

AN #	THIRD ANGLE PROJECTION	SHEET #
09-9115		1 OF 1