

-NOMENCLATURE-

FS & SS-FAST, SLOW-SPEED CONTACTORS MECHANICALLY AND ELECTRICALLY INTERLOCKED.

OL - OVERLOAD RELAY

I - INDICATING LIGHT

TR - DECELERATING TIMER

	LINE	LOAD
USE 75°C COPPER	CR309 20 LB-IN	20 LB-IN
CONDUCTORS ONLY, FOR	CR310 AS MARKED	20 LB-IN
FIELD WIRING, TORQUE	CR311 35 LB-IN	20 LB-IN
LINE AND LOAD TERMINALS AS MARKED OR AS SHOWN AT RIGHT:	CR390 AS MARKED	20 LB-IN

NOTE: ADDITIONAL OVER-CURRENT PROTECTION MAY BE REQUIRED. REFER TO THE NATIONAL ELECTRICAL CODE OR LOCAL ELECTRICAL CODE AS REQUIRED.

GROUND KIT

1/2-IN CONDUIT	55-213403G001
3/4-IN CONDUIT	55-213403G002
1-IN CONDUIT	55-213403G003
1 1/4-IN CONDUIT	55-213403G004
1 1/2-IN CONDUIT	55-213403G005
2-IN CONDUIT	55-213403G006
2 1/2-IN CONDUIT	55-213403G007
3-IN CONDUIT	55-213403G008

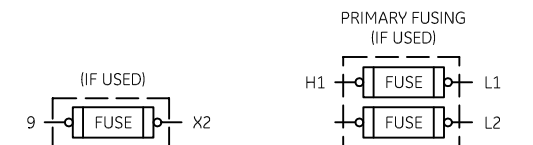
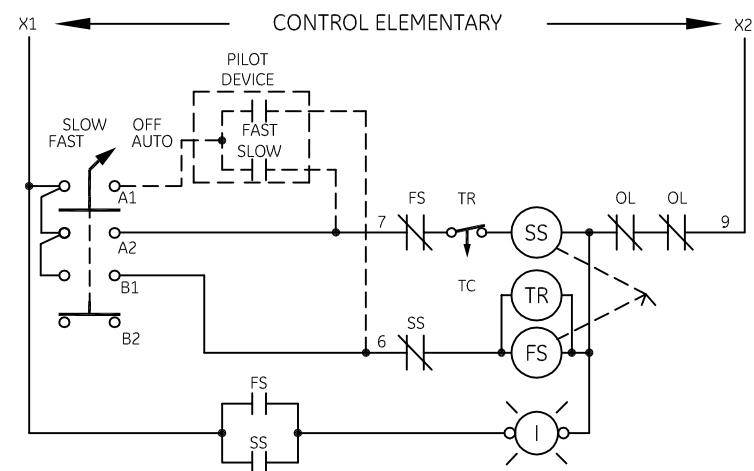
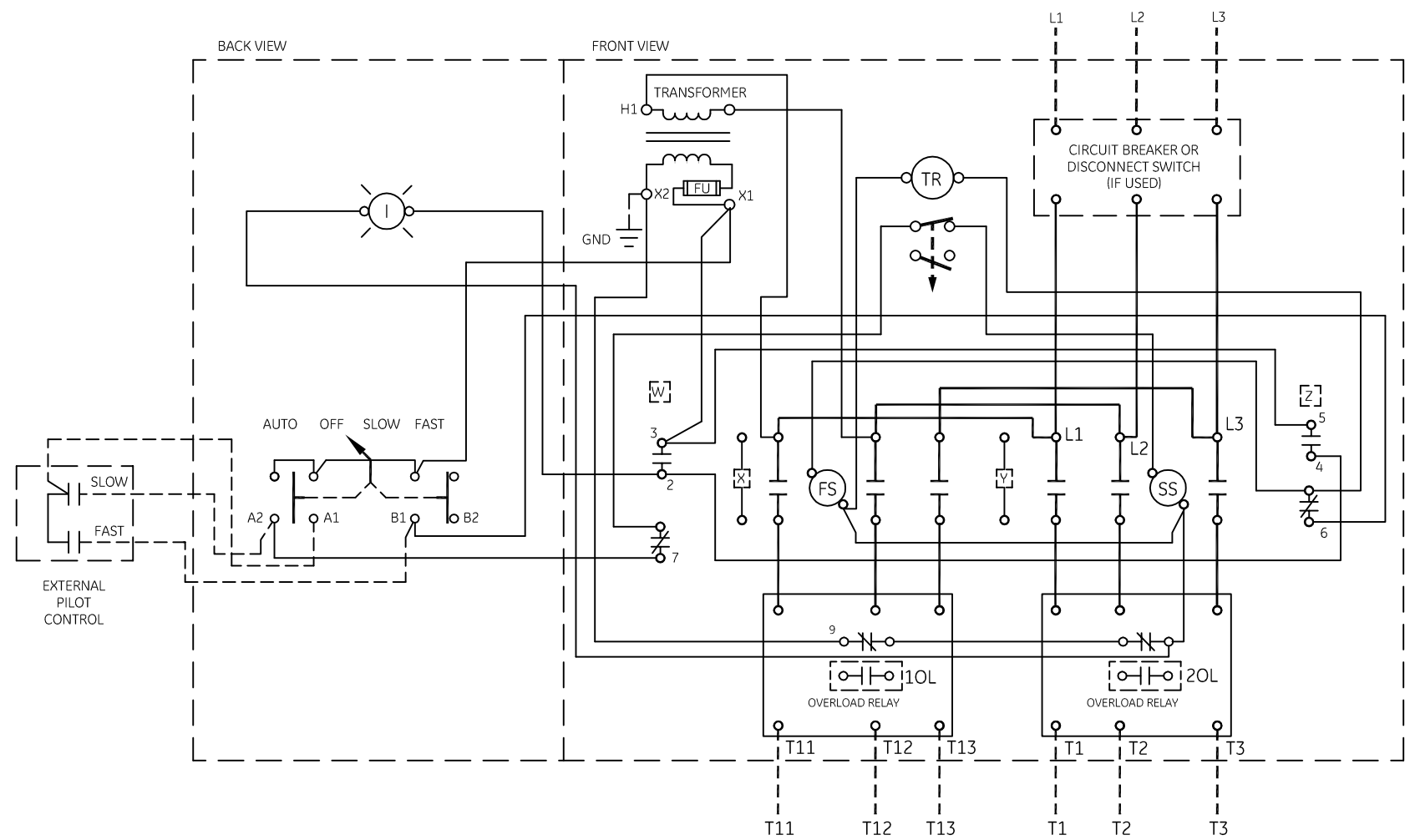
ALTERNATIVE LEGENDS FOR FAST AND SLOW ARE HIGH AND LOW.

FOR EXTRA AUXILIARY CONTACTS A MAXIMUM OF 4 CONTACTS MAY BE ADDED AT POSITIONS W, X, Y & Z.

FOR CONTROLLER WITHOUT DISCONNECT MEANS-WIRE LINE DIRECT TO L1, L2 AND L3 ON CONTROLLER.

SELECTOR SWITCH

CONTACT	POSITION			
	FAST	SLOW	OFF	AUTO
A1				X
A2		X		
B1	X			
B2			X	



GE imagination at work

WIRING DIAGRAM
2 SPEED - 2 WINDING SIZE 0 & 1

AN #	THIRD ANGLE PROJECTION	SHEET #
09-9115		1 OF 1

DWG NO.	DATE	REV
55-536474	09/09/2009	3