

-NOMENCLATURE-

- F-FAST CONTACTOR
- S-SLOW CONTACTOR
- OL-OVERLOAD RELAY
- I-INDICATING LIGHT
- FU-FUSE
- X-INDICATES CONTACT CLOSED
- A-ACCELERATING TIMER
- D-DECELERATING TIMER
- T.O.-TIME OPENING
- T.C.-TIME CLOSING
- ALTERNATE LEGENDS FOR FAST AND SLOW ARE HIGH AND LOW

NOTE: ADDITIONAL OVER-CURRENT PROTECTION MAY BE REQUIRED. REFER TO THE NATIONAL ELECTRICAL CODE OR LOCAL ELECTRICAL CODE AS REQUIRED.

FOR EXTRA AUXILIARY CONTACTS- A MAXIMUM OF 4 CONTACTS MAY BE ADDED AT POSITIONS W,X,Y,& Z.

FOR CONTROLLER WITHOUT DISCONNECT MEANS-WIRE LINE DIRECT TO L1, L2 AND L3 ON CONTROLLER.

TERMINAL TIGHTENING TORQUE (LB-IN)

SIZE	LOAD SIDE		LINE SIDE	
	THERMAL OL	ELECTRONIC OL	CR309	CR310,390 CR311
2	50	20	50	AS MARKED 50
3	150	200	150	AS MARKED 50
4	200	200	200	AS MARKED 275

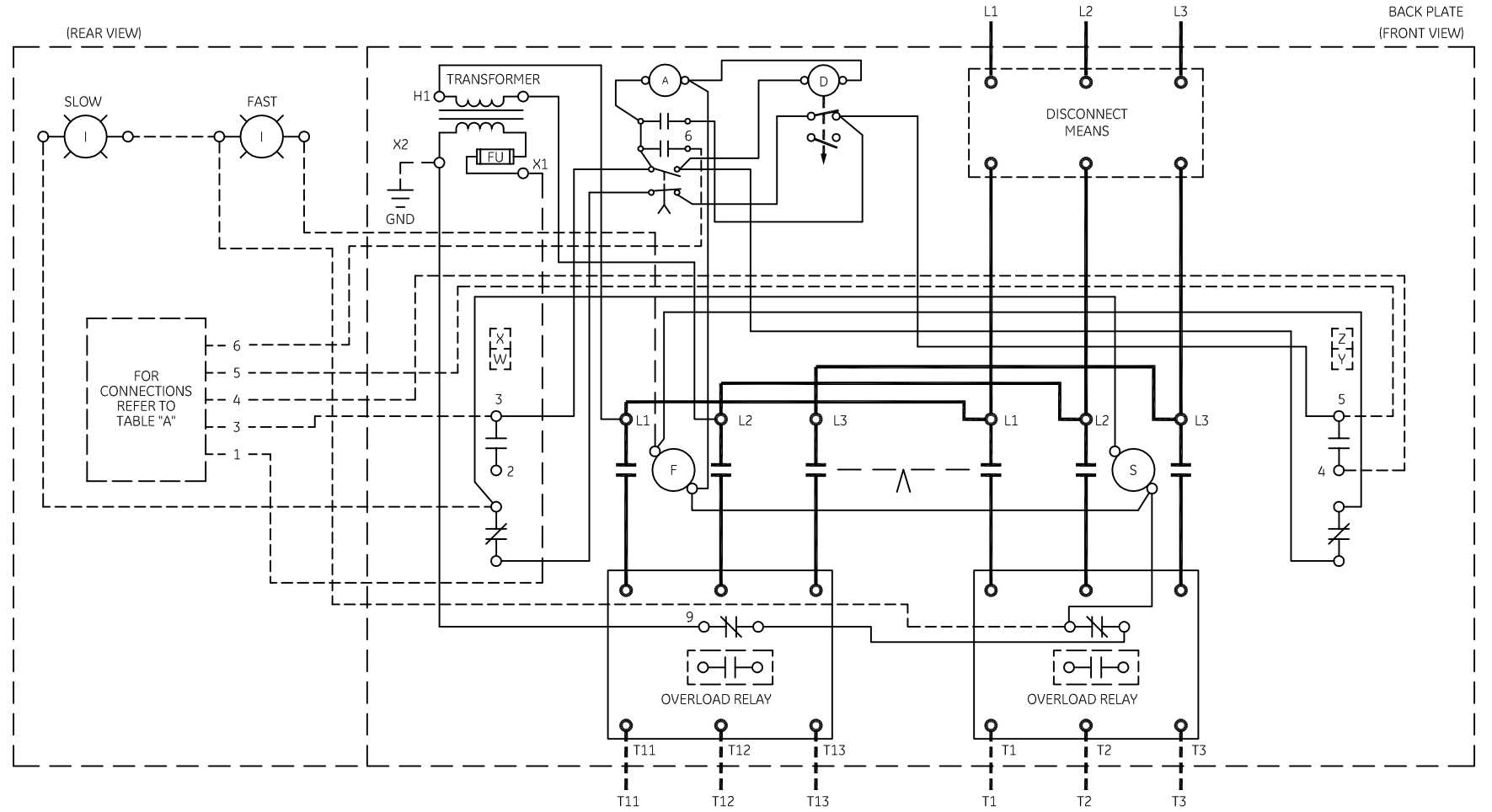
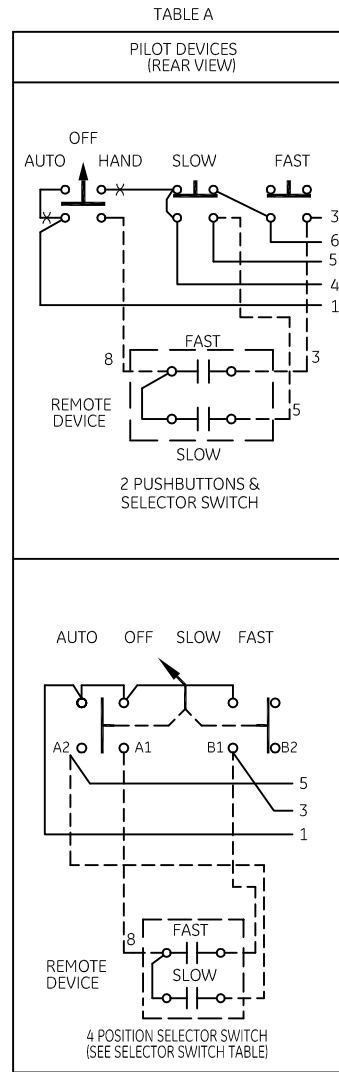
USE 75°C COPPER CONDUCTORS ONLY, FOR FIELD WIRING. TORQUE LINE AND LOAD TERMINALS AS SHOWN AT RIGHT:

GROUND KIT

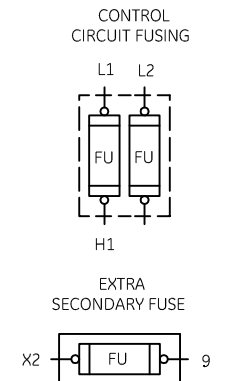
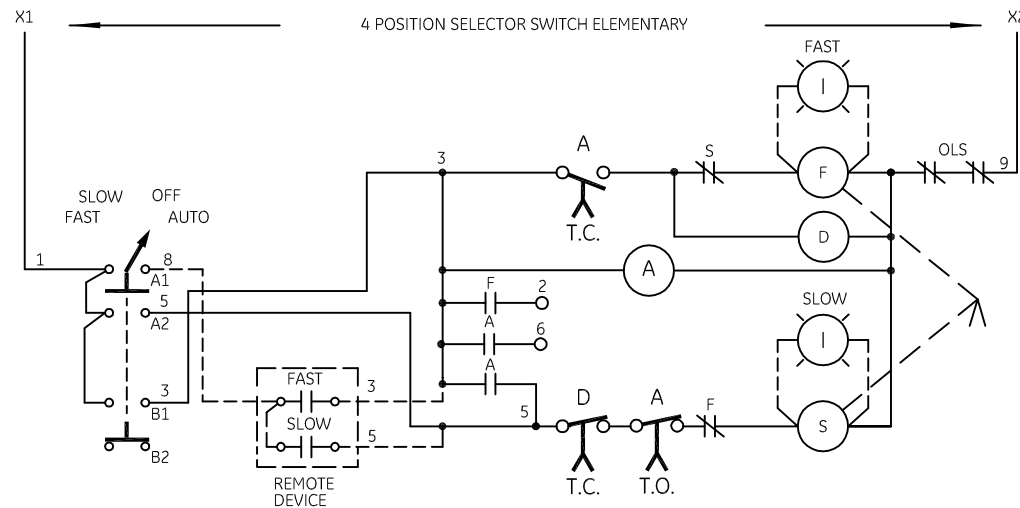
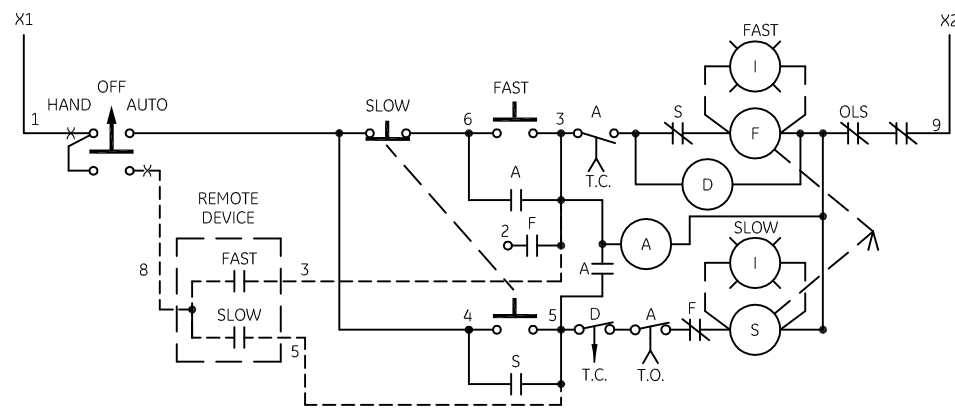
1/2-IN CONDUIT	55-213403G001
3/4-IN CONDUIT	55-213403G002
1-IN CONDUIT	55-213403G003
1 1/4-IN CONDUIT	55-213403G004
1 1/2-IN CONDUIT	55-213403G005
2-IN CONDUIT	55-213403G006
2 1/2-IN CONDUIT	55-213403G007
3-IN CONDUIT	55-213403G008

SELECTOR SWITCH

CONTACT	POSITION			
	FAST	SLOW	OFF	AUTO
A1				X
A2		X		
B1	X			
B2			X	



2 PUSHBUTTONS AND SELECTOR SWITCH ELEMENTARY



imagination at work

WIRING DIAGRAM
2 SPEED - 2 WINDING SIZE 2, 3, 4 & 5

AN #	THIRD ANGLE PROJECTION	SHEET #
09-9115		1 OF 1

DWG NO.	DATE	REV
55-536478	09/15/2009	7