

-NOMENCLATURE-

- 1M,2M-CONTACTORS
- OL-OVERLOAD RELAY
- I-INDICATING LIGHT
- FU-FUSE
- X-INDICATES CONTACT CLOSED
- D-DECELERATING RELAY
- TO-TIME OPENING
- A-ACCELERATING RELAY
- TC-TIME CLOSING

ALTERNATE LEGENDS FOR FAST AND SLOW ARE HIGH AND LOW

NOTE: ADDITIONAL OVER-CURRENT PROTECTION MAY BE REQUIRED. REFER TO THE NATIONAL ELECTRICAL CODE OR LOCAL ELECTRICAL CODE AS REQUIRED.

FOR EXTRA AUXILIARY CONTACTS - A MAXIMUM OF 2 CONTACTS MAY BE ADDED AT POSITIONS W & Z.

FOR CONTROLLER WITHOUT DISCONNECT MEANS-WIRE LINE DIRECT TO L1, L2 AND L3 ON CONTROLLER.

FACTORY SUPPLIED PILOT DEVICES ARE WIRED PER TABLE "B". FOR CONSTANT HP MOTORS REFER TO THE FACTORY FOR ADDITIONAL INSTRUCTIONS.

GROUND KIT	
1/2-IN CONDUIT	55-213403G001
3/4-IN CONDUIT	55-213403G002
1-IN CONDUIT	55-213403G003
1 1/4-IN CONDUIT	55-213403G004
1 1/2-IN CONDUIT	55-213403G005
2-IN CONDUIT	55-213403G006
2 1/2-IN CONDUIT	55-213403G007
3-IN CONDUIT	55-213403G008

MOTOR CONNECTIONS	SPEED	L1	L2	L3	OPEN	TOGETHER
CONSTANT TORQUE	SLOW FAST	T1 T6	T2 T4	T3 T5	T6,T4,T5	T1,T2,T3
VARIABLE TORQUE	SLOW FAST	T1 T6	T2 T4	T3 T5	T6,T4,T5	T1,T2,T3

CONNECTION TABLE	CONTROLLER TERMINALS					
	A	B	C	D	E	F
CONSTANT TORQUE	T1	T2	T3	T6	T4	T5
VARIABLE TORQUE	T1	T2	T3	T6	T4	T5

TERMINAL TIGHTENING TORQUE (LB-IN)

SIZE	LOAD SIDE		LINE SIDE		
	THERMAL OL	ELECTRONIC OL	CR309	CR310,390	CR311
2	50	20	50	AS MARKED	50
3	150	200	150	AS MARKED	50
4	200	200	200	AS MARKED	275

USE 75°C COPPER CONDUCTORS ONLY. FOR FIELD WIRING, TORQUE LINE AND LOAD TERMINALS AS SHOWN AT RIGHT:

2 PUSHBUTTONS AND SELECTOR SWITCH ELEMENTARY

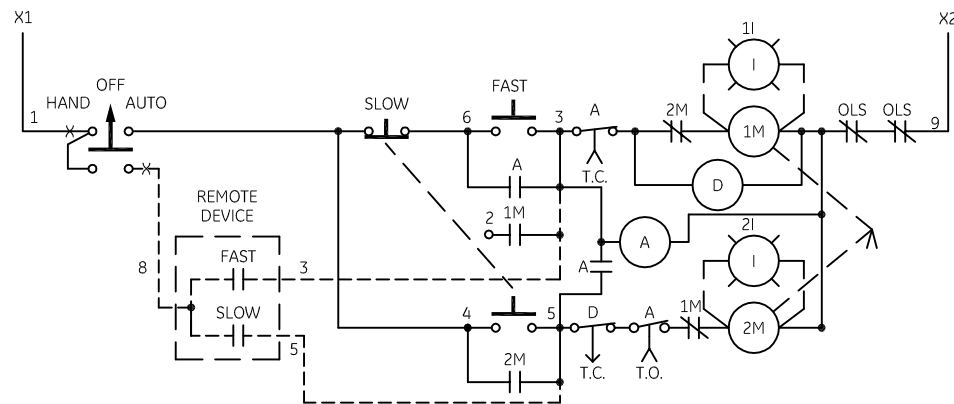
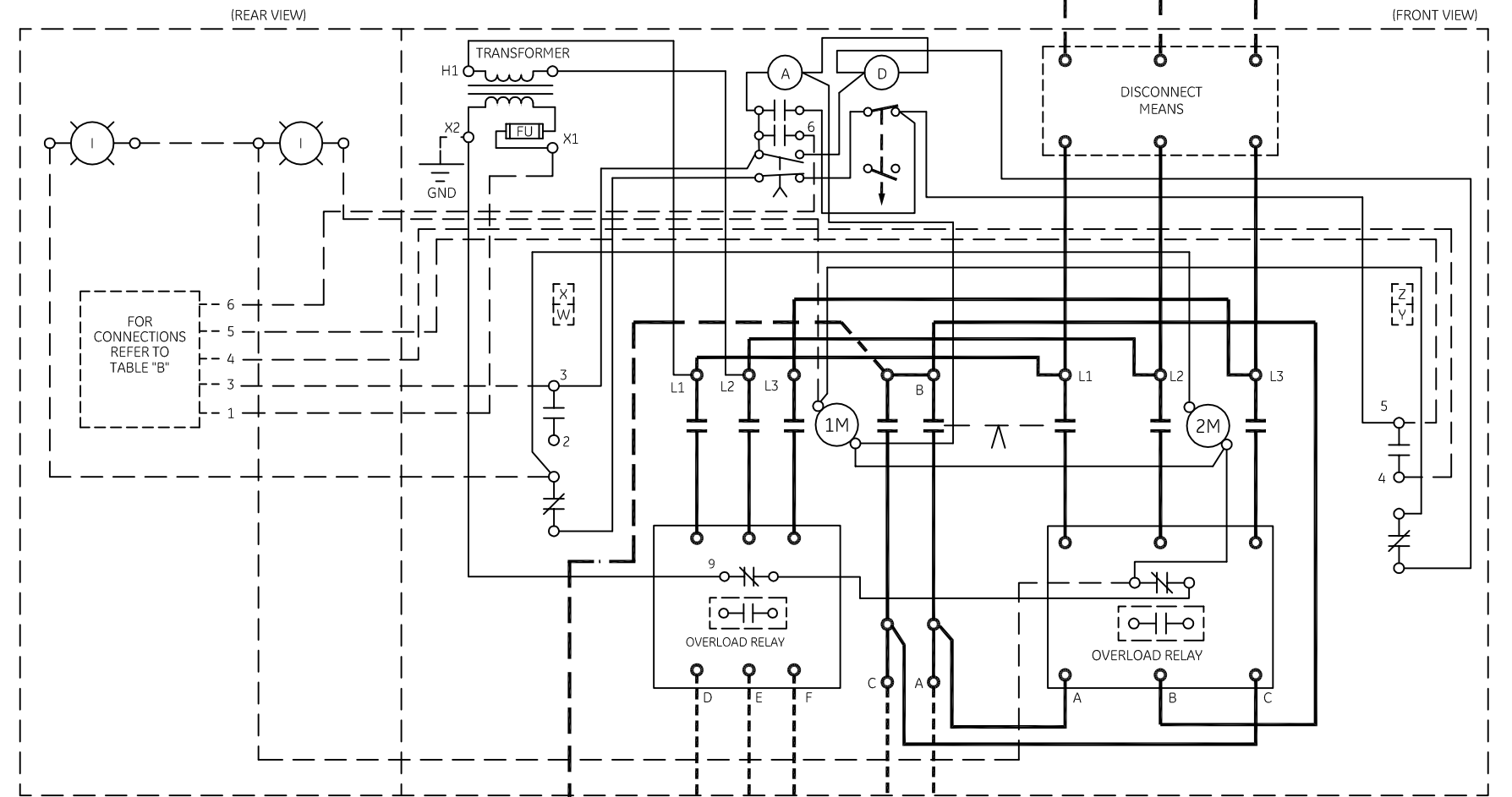
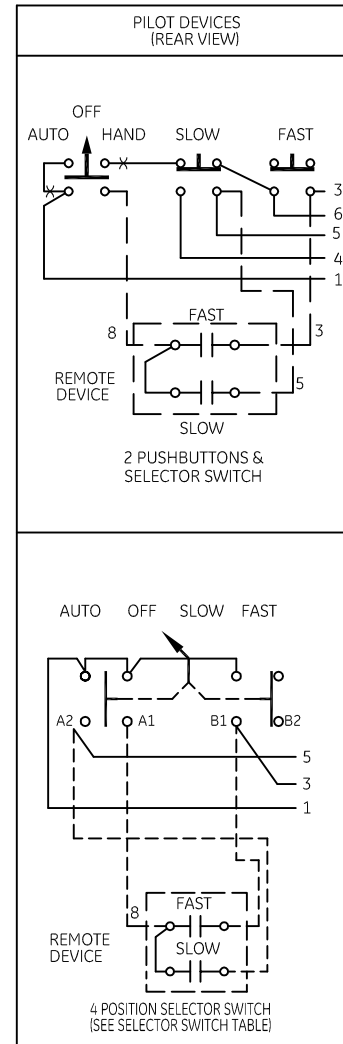


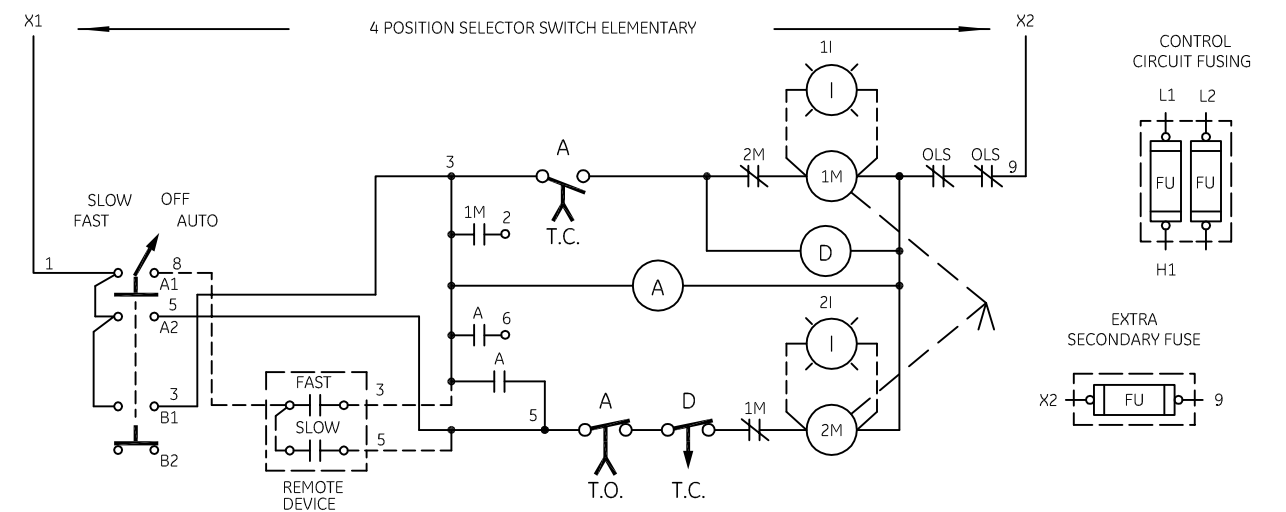
TABLE B



WIRE MOTOR TO CONTROLLER PER CONNECTION TABLE

SELECTOR SWITCH

CONTACT	POSITION			
	FAST	SLOW	OFF	AUTO
A1				X
A2		X		
B1	X			
B2			X	



GE imagination at work

**WIRING DIAGRAM
2 SPEED - 1 WINDING SIZE 2, 3 & 4**

AN #	THIRD ANGLE PROJECTION	SHEET #	DWG NO.	DATE	REV
09-9115		1 OF 1	55-536479	09/09/2009	5