

-NOMENCLATURE-

1M,2M-CONTACTORS  
 OL-THERMAL OVERLOAD RELAY  
 I-INDICATING LIGHT  
 FU-FUSE  
 X-INDICATES CONTACT CLOSED  
 D-DECELERATING RELAY  
 TO-TIME OPENING  
 ALTERNATE LEGENDS FOR FAST AND SLOW  
 ARE HIGH AND LOW

NOTE: ADDITIONAL OVER-CURRENT PROTECTION  
 MAY BE REQUIRED. REFER TO THE  
 NATIONAL ELECTRICAL CODE OR LOCAL  
 ELECTRICAL CODE AS REQUIRED.

FOR EXTRA AUXILIARY CONTACTS - A MAXIMUM OF 2  
 CONTACTS MAY BE ADDED AT POSITIONS  
 W & Z.

FOR CONTROLLER WITHOUT DISCONNECT MEANS-WIRE  
 LINE DIRECT TO L1, L2 AND L3 ON CONTROLLER.

FACTORY SUPPLIED PILOT DEVICES ARE WIRED PER  
 TABLE "B". FOR CONSTANT HP MOTORS REFER TO THE  
 FACTORY FOR ADDITIONAL INSTRUCTIONS.

GROUND KIT

1/2-IN CONDUIT	55-213403G001
3/4-IN CONDUIT	55-213403G002
1-IN CONDUIT	55-213403G003
1 1/4-IN CONDUIT	55-213403G004
1 1/2-IN CONDUIT	55-213403G005
2-IN CONDUIT	55-213403G006
2 1/2-IN CONDUIT	55-213403G007
3-IN CONDUIT	55-213403G008

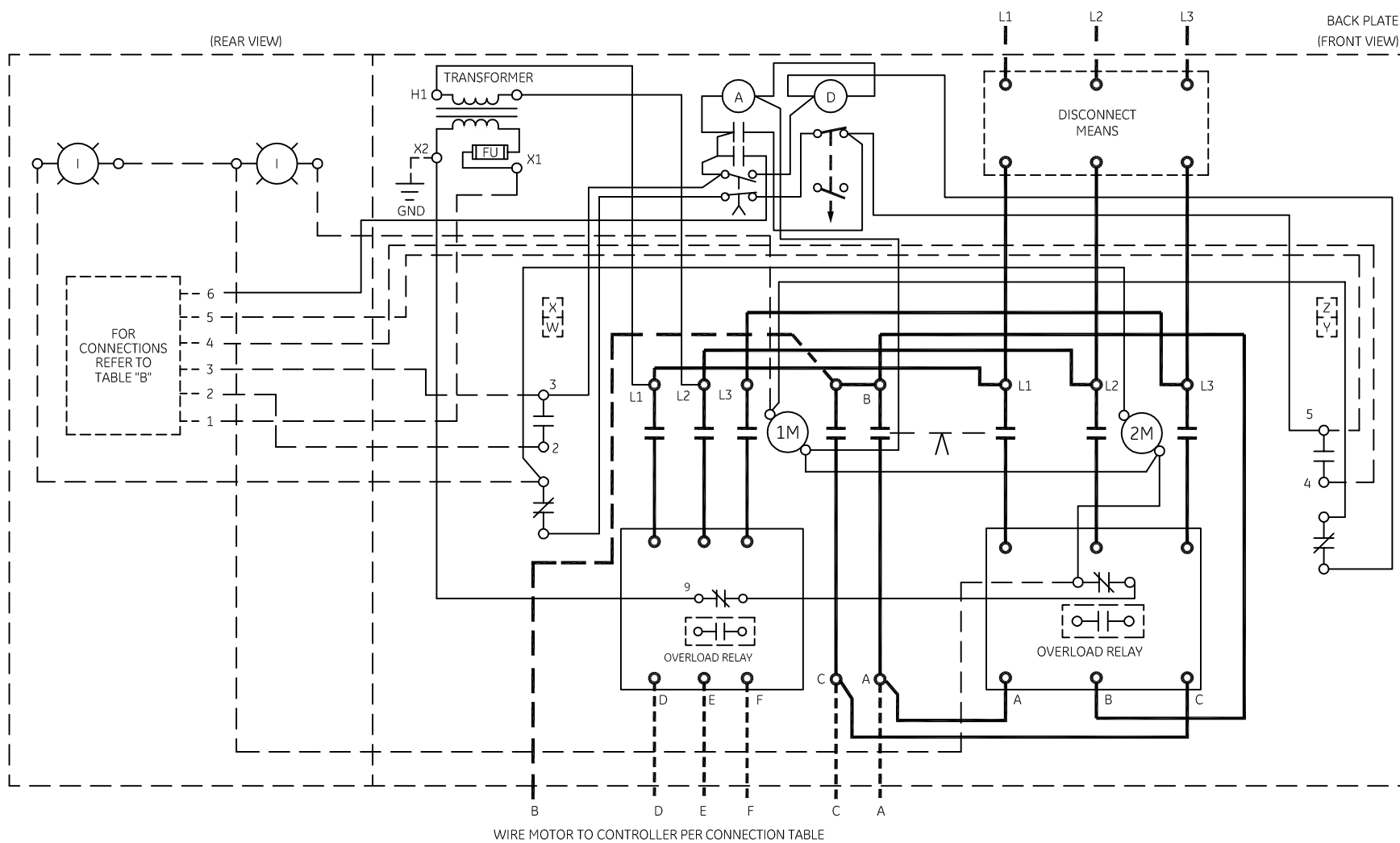
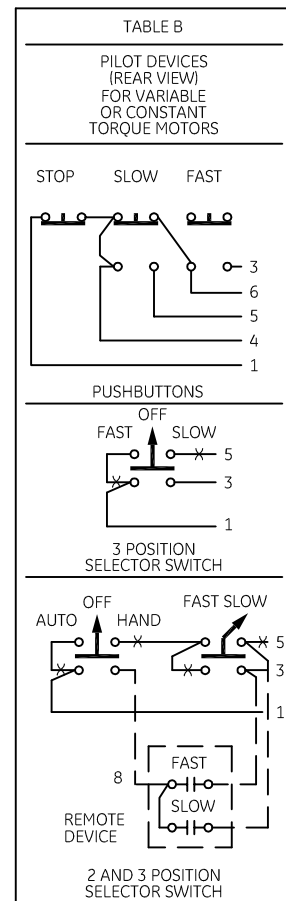
MOTOR CONNECTIONS	SPEED	L1	L2	L3	OPEN	TOGETHER
CONSTANT TORQUE	SLOW FAST	T1 T6	T2 T4	T3 T5	T6,T4,T5	T1,T2,T3
VARIABLE TORQUE	SLOW FAST	T1 T6	T2 T4	T3 T5	T6,T4,T5	T1,T2,T3

CONNECTION TABLE	CONTROLLER TERMINALS					
	A	B	C	D	E	F
CONSTANT TORQUE	T1	T2	T3	T6	T4	T5
VARIABLE TORQUE	T1	T2	T3	T6	T4	T5

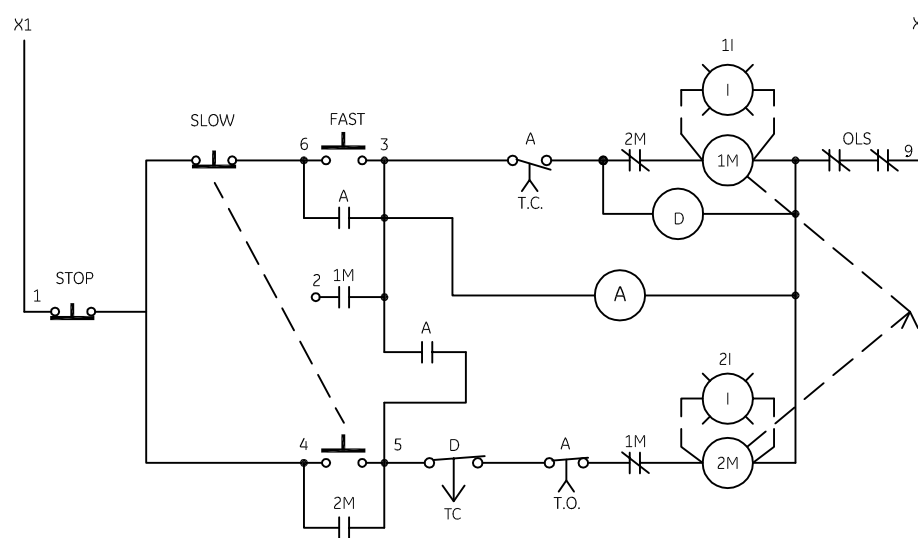
TERMINAL TIGHTENING TORQUE (LB-IN)

SIZE	LOAD SIDE		LINE SIDE		
	THERMAL OL	ELECTRONIC OL	CR309	CR310,390	CR311
2	50	20	50	AS MARKED	50
3	150	200	150	AS MARKED	50
4	200	200	200	AS MARKED	275

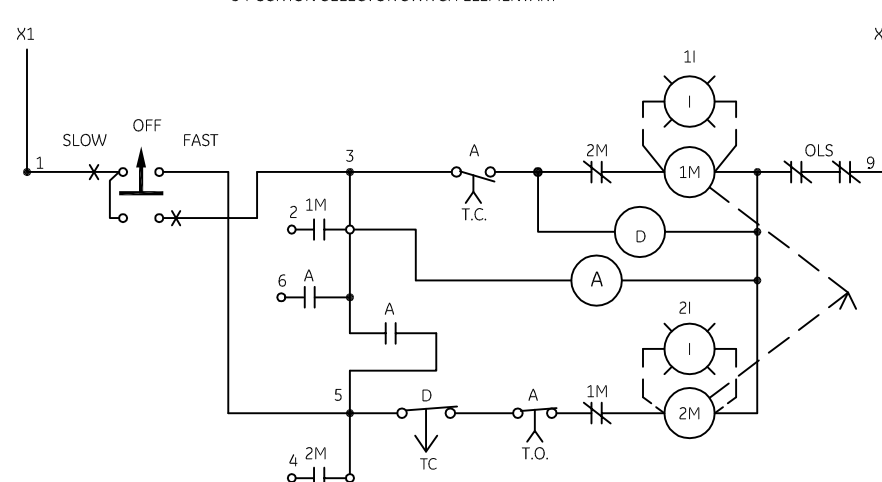
USE 75°C COPPER  
 CONDUCTORS ONLY. FOR  
 FIELD WIRING. TORQUE  
 LINE AND LOAD TERMINALS  
 AS SHOWN AT RIGHT:



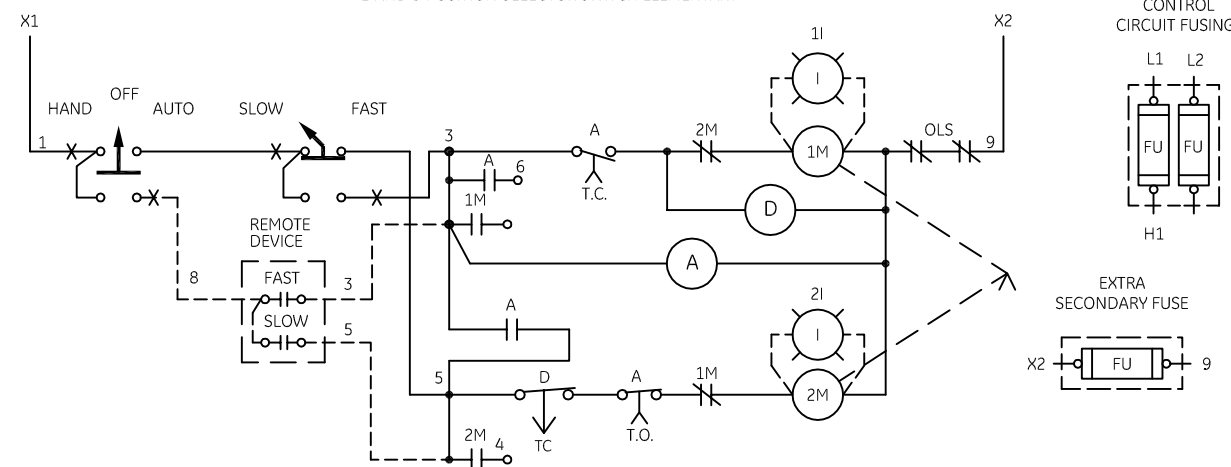
PUSHBUTTON ELEMENTARY



3 POSITION SELECTOR SWITCH ELEMENTARY



2 AND 3 POSITION SELECTOR SWITCH ELEMENTARY



GE imagination at work

WIRING DIAGRAM  
 2 SPEED - 1 WINDING SIZE 2, 3 & 4

AN #	THIRD ANGLE PROJECTION	SHEET #
09-9115		1 OF 1

DWG NO.	DATE	REV
55-536543	09/09/2009	7