

-NOMENCLATURE-
 1M,2M-CONTACTORS
 OL-OVERLOAD RELAY
 I-INDICATING LIGHT
 FU-FUSE
 X-INDICATES CONTACT CLOSED

NOTE: ADDITIONAL OVER-CURRENT PROTECTION
 MAY BE REQUIRED. REFER TO THE
 NATIONAL ELECTRICAL CODE OR LOCAL
 ELECTRICAL CODE AS REQUIRED.

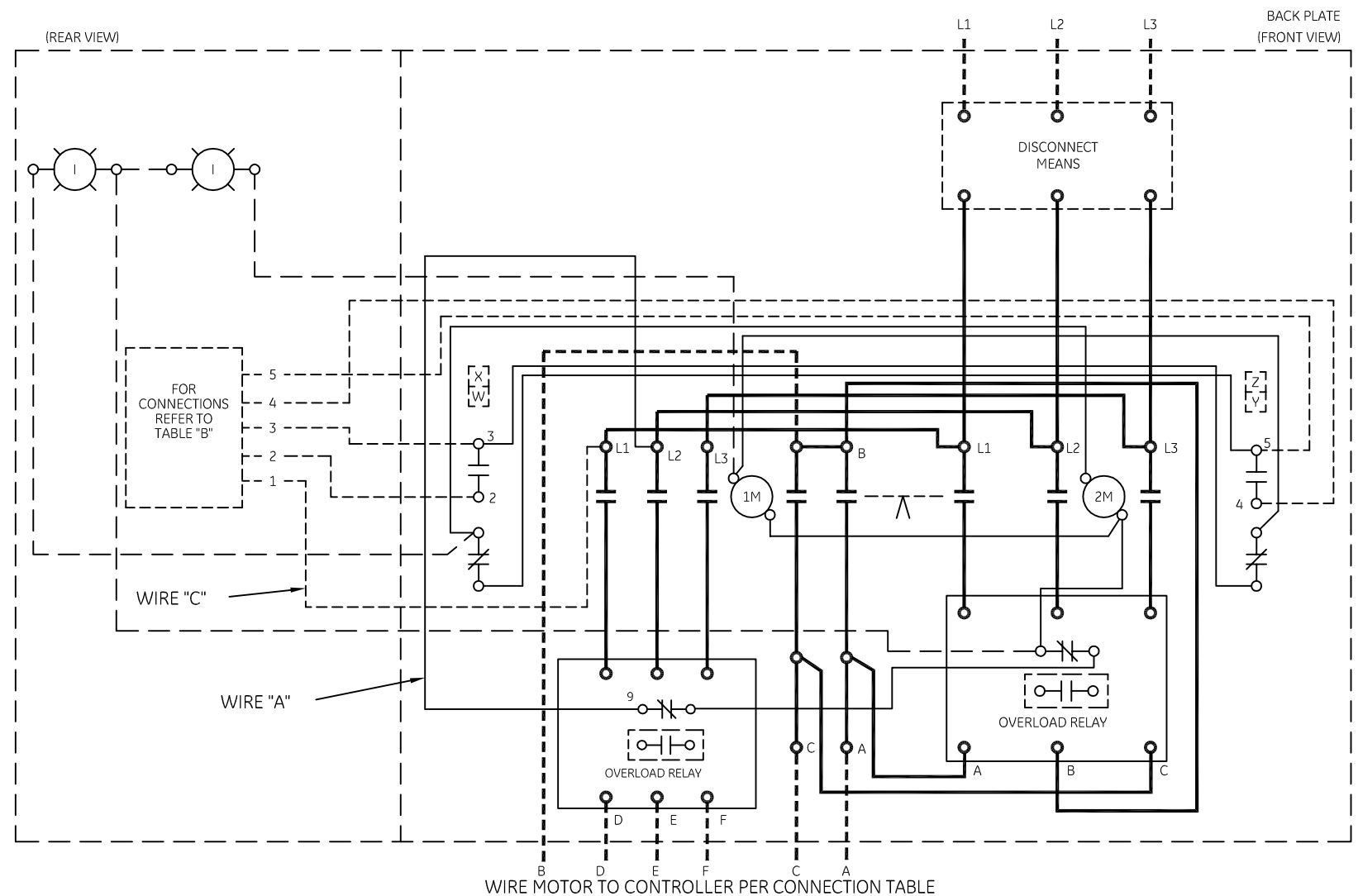
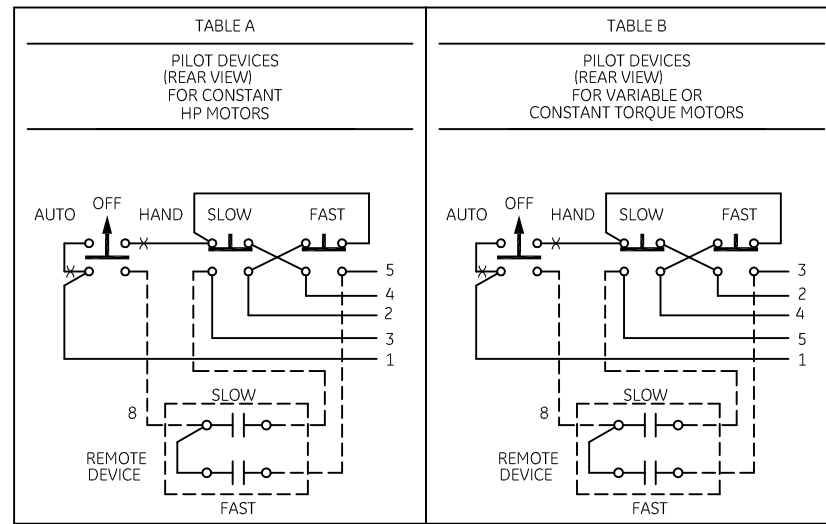
FOR EXTRA AUXILIARY CONTACTS - A MAXIMUM OF 4
 CONTACTS MAY BE ADDED AT POSITIONS
 W,X,Y & Z.

FOR CONTACTOR WITHOUT DISCONNECT MEANS-WIRE
 LINE DIRECT TO L1,L2 AND L3 ON CONTACTOR.

FACTORY SUPPLIED PILOT DEVICES ARE WIRED
 PER TABLE "B". FOR CONSTANT HP MOTORS
 INTERCHANGE WIRES 3 AND 5, 2 AND 4
 IF USED AND WIRE PER TABLE A.

GROUND KIT	
1/2-IN CONDUIT	55-213403G001
3/4-IN CONDUIT	55-213403G002
1-IN CONDUIT	55-213403G003
1 1/4-IN CONDUIT	55-213403G004
1 1/2-IN CONDUIT	55-213403G005
2-IN CONDUIT	55-213403G006
2 1/2-IN CONDUIT	55-213403G007
3-IN CONDUIT	55-213403G008

ALTERNATIVE LEGENDS FOR FAST AND SLOW
 ARE HIGH AND LOW.

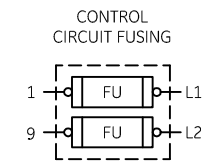
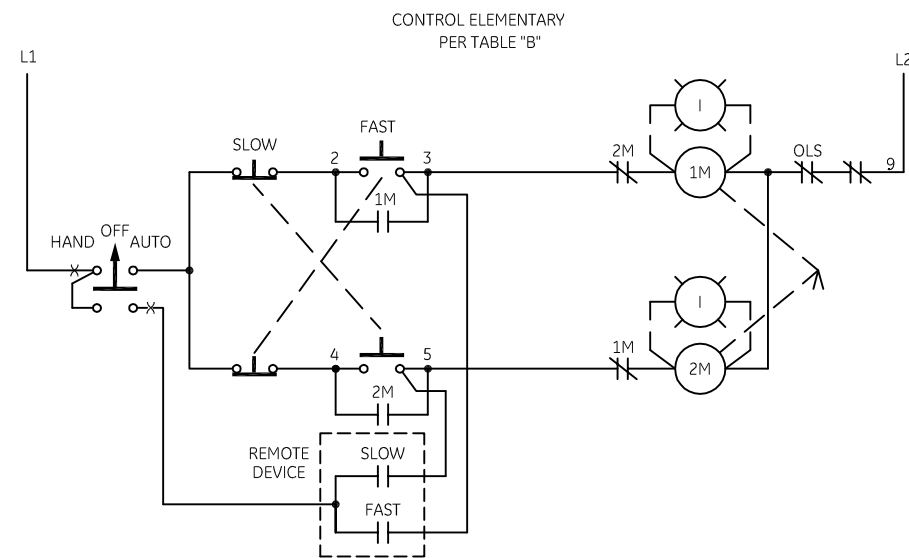


CONNECTION TABLE	CONTROLLER TERMINALS					
	A	B	C	D	E	F
CONSTANT TORQUE	T1	T2	T3	T6	T4	T5
VARIABLE TORQUE	T1	T2	T3	T6	T4	T5
MOTOR CONNECTIONS	SPEED	L1	L2	L3	OPEN	TOGETHER
CONSTANT TORQUE	SLOW FAST	T1 T6	T2 T4	T3 T5	T6,T4,T5	T1,T2,T3
VARIABLE TORQUE	SLOW FAST	T1 T6	T2 T4	T3 T5	T6,T4,T5	T1,T2,T3

USE 75°C COPPER
 CONDUCTORS ONLY, FOR
 FIELD WIRING. TORQUE
 LINE AND LOAD TERMINALS
 AS SHOWN AT RIGHT:

SIZE	LOAD SIDE		LINE SIDE		
	THERMAL OL	ELECTRONIC OL	CR309	CR310,390	CR311
2	50	20	50	AS MARKED	50
3	150	200	150	AS MARKED	50
4	200	200	200	AS MARKED	275

FOR SEPARATE CONTROL SOURCE - OMIT WIRE "A" AND
 WIRE "C" AND CONNECT SEPARATE CONTROL SOURCE TO
 N/C CONTACT ON OL AND TO 1 ON PILOT DEVICE AND PILOT
 LIGHT. WIRE "A" AND "C" IS OMITTED AT FACTORY ON ALL
 STARTERS WITH A COIL VOLTAGE OF 120V OR LESS.



GE imagination at work

WIRING DIAGRAM
 2 SPEED - 1 WINDING SIZE 2, 3 & 4

AN #	THIRD ANGLE PROJECTION	SHEET #	DWG NO.	DATE	REV
09-9115		1 OF 1	55-536609	09/09/2009	4